



# Catalog 2018



**TENE**

# TABLE OF CONTENTS

## STANDARD

5 BETTY  
5 CAROL  
6 TRONDHEIM  
6 NEVADA  
7 ALABAMA  
7 COLORADO  
8 NERVION  
8 BIDASOA  
9 KIOSK  
10 LOUISE 4F  
10 EMMA 4F  
11 LANZAROTE  
11 IBIZA  
12 VICTORIA B  
12 VICTORIA C  
13 ARUBA  
13 CATANIA  
14 VENEZIA  
14 SICILIA  
15 TIINA A  
15 OKLAHOMA  
16 KANSAS  
16 KARINA  
17 KELLY C  
17 KELLY B  
18 KELLY D  
18 MONIKA B  
19 MONIKA C  
19 MONIKA D  
20 GLORIA A  
20 GLORIA A+SD150  
21 GLORIA D  
21 GLORIA D+SD150  
22 GLORIA F  
22 GLORIA F+SD150  
23 LUGO

24 ORIENTAL 3  
24 ORIENTAL3+SD300  
25 ORIENTAL 4  
25 ORIENTAL4+SD300  
26 ORIENTAL 5  
26 ORIENTAL5+SD300  
27 MARIA  
27 MARI B  
28 SANDRA B  
28 MONTANA  
29 CAMILLA B  
29 AINO  
30 MATTI  
30 ENZO B  
31 ENZO C/1  
31 ENZO D  
32 BUNKIE  
33 NICE

## PREMIUM

37 HUELVA  
38 MALAGA A  
38 MALAGA B  
39 SEVILLA  
40 ENZO B  
40 ENZO C/1  
41 ENZO D  
41 OSLO  
42 PEDRO A  
42 PEDRO B  
43 PEDRO C  
43 PEDRO D  
44 PEDRO E  
44 PEDRO F  
45 GÖTEBORG A  
45 GÖTEBORG B  
46 GÖTEBORG C  
46 ENZO E

47 SAUERLAND A  
47 SAUERLAND B  
48 SAUERLAND C  
48 SAUERLAND D  
49 GORBEA A  
49 GORBEA B  
50 LANGE OOG B  
50 LANGE OOG C  
51 PERTTI  
52 GOTLAND A  
53 GOTLAND B  
54 GOTLAND C  
55 GOTLAND D  
56 GOTLAND E  
57 GOTLAND F  
58 GOTLAND G  
59 BURGOS  
60 HELSINKI  
61 RICHARD  
62 FALUN A  
63 FALUN B  
64 FALUN C  
65 SALAMANCA  
66 LEON A  
67 LEON B  
68 TORMES  
69 REUS  
70 VERONA  
71 MONVISO  
72 PADOVA  
73 ARLANZON A  
74 ARLANZON B  
75 PETRA  
76 CERVINO  
77 TORINO  
78 URSULA  
79 TOLEDO A  
80 TOLEDO D

81 MOTRIL  
82 KRISTI  
83 KRISTINA  
84 ALMERIA A  
85 ALMERIA B  
86 PALMA  
87 TIPO  
88 ESTONIA  
89 RIGA  
90 SERENA  
92 EUROPA  
93 VIGO  
94 RIOPAS  
95 TRENTO  
96 FINLANDIA

## GARAGES

97 GARAGE A  
97 GARAGE B  
98 GARAGE OULU  
98 GARAGE RAUMA  
99 GARAGE D

## SAUNAS

100 JORMA  
101 OSKARI  
102 JOONAS  
103 PEKKA  
104 SEPPO  
105 ANTTI  
106 EINO  
107 TERVO  
108 KALEVI  
109 TOMMI  
110 OTTO  
111 RISTO  
112 VILLU

# INDEX OF CONTENTS

<u>AINO</u>	<u>29</u>	<u>GARAGE RAUMA</u>	<u>98</u>	<u>LEON A</u>	<u>66</u>	<u>PEKKA</u>	<u>103</u>
<u>ALABAMA</u>	<u>7</u>	<u>GLORIA A</u>	<u>20</u>	<u>LEON B</u>	<u>67</u>	<u>PERTTI</u>	<u>51</u>
<u>ALMERIA A</u>	<u>84</u>	<u>GLORIA A+SD150</u>	<u>20</u>	<u>LOUISE 4F</u>	<u>10</u>	<u>PETRA</u>	<u>75</u>
<u>ALMERIA B</u>	<u>85</u>	<u>GLORIA D</u>	<u>21</u>	<u>LUGO</u>	<u>23</u>	<u>REUS</u>	<u>69</u>
<u>ANTTI</u>	<u>105</u>	<u>GLORIA D+SD150</u>	<u>21</u>	<u>MALAGA A</u>	<u>38</u>	<u>RICHARD</u>	<u>61</u>
<u>ARLANZON A</u>	<u>73</u>	<u>GLORIA F</u>	<u>22</u>	<u>MALAGA B</u>	<u>38</u>	<u>RIGA</u>	<u>89</u>
<u>ARLANZON B</u>	<u>74</u>	<u>GLORIA F+SD150</u>	<u>22</u>	<u>MARI A</u>	<u>27</u>	<u>RIOPAS</u>	<u>94</u>
<u>ARUBA</u>	<u>13</u>	<u>GORBEA A</u>	<u>49</u>	<u>MARI B</u>	<u>27</u>	<u>RISTO</u>	<u>111</u>
<u>BETTY</u>	<u>5</u>	<u>GORBEA B</u>	<u>49</u>	<u>MATTI</u>	<u>30</u>	<u>SALAMANCA</u>	<u>65</u>
<u>BIDASOA</u>	<u>8</u>	<u>GÖTEBORG A</u>	<u>45</u>	<u>MONIKA B</u>	<u>18</u>	<u>SANDRA B</u>	<u>28</u>
<u>BUNKIE</u>	<u>32</u>	<u>GÖTEBORG B</u>	<u>45</u>	<u>MONIKA C</u>	<u>19</u>	<u>SAUERLAND A</u>	<u>47</u>
<u>BURGOS</u>	<u>59</u>	<u>GÖTEBORG C</u>	<u>46</u>	<u>MONIKA D</u>	<u>19</u>	<u>SAUERLAND B</u>	<u>47</u>
<u>CAMILLA B</u>	<u>29</u>	<u>GOTLAND A</u>	<u>52</u>	<u>MONTANA</u>	<u>28</u>	<u>SAUERLAND C</u>	<u>48</u>
<u>CAROL</u>	<u>5</u>	<u>GOTLAND B</u>	<u>53</u>	<u>MONVISO</u>	<u>71</u>	<u>SAUERLAND D</u>	<u>48</u>
<u>CATANIA</u>	<u>13</u>	<u>GOTLAND C</u>	<u>54</u>	<u>MOTRIL</u>	<u>81</u>	<u>SEPPO</u>	<u>104</u>
<u>CERVINO</u>	<u>76</u>	<u>GOTLAND D</u>	<u>55</u>	<u>NERVION</u>	<u>8</u>	<u>SERENA</u>	<u>90</u>
<u>COLORADO</u>	<u>7</u>	<u>GOTLAND E</u>	<u>56</u>	<u>NEVADA</u>	<u>6</u>	<u>SEVILLA</u>	<u>39</u>
<u>EINO</u>	<u>106</u>	<u>GOTLAND F</u>	<u>57</u>	<u>NICE</u>	<u>33</u>	<u>SICILIA</u>	<u>14</u>
<u>EMMA 4F</u>	<u>10</u>	<u>GOTLAND G</u>	<u>58</u>	<u>OKLAHOMA</u>	<u>15</u>	<u>TERVO</u>	<u>107</u>
<u>ENZO B</u>	<u>30</u>	<u>HELSINKI</u>	<u>60</u>	<u>ORIENTAL 3</u>	<u>24</u>	<u>TIINA A</u>	<u>15</u>
<u>ENZO B</u>	<u>40</u>	<u>HUELVA</u>	<u>37</u>	<u>ORIENTAL 3+SD 300</u>	<u>24</u>	<u>TIPO</u>	<u>87</u>
<u>ENZO C/1</u>	<u>31</u>	<u>IBIZA</u>	<u>11</u>	<u>ORIENTAL 4</u>	<u>25</u>	<u>TOLEDO A</u>	<u>79</u>
<u>ENZO C/1</u>	<u>40</u>	<u>JOONAS</u>	<u>102</u>	<u>ORIENTAL 4+SD 300</u>	<u>25</u>	<u>TOLEDO D</u>	<u>80</u>
<u>ENZO D</u>	<u>31</u>	<u>JORMA</u>	<u>100</u>	<u>ORIENTAL 5</u>	<u>26</u>	<u>TOMMI</u>	<u>109</u>
<u>ENZO D</u>	<u>41</u>	<u>KALEVI</u>	<u>108</u>	<u>ORIENTAL 5+SD 300</u>	<u>26</u>	<u>TORINO</u>	<u>77</u>
<u>ENZO E</u>	<u>46</u>	<u>KANSAS</u>	<u>16</u>	<u>OSKARI</u>	<u>101</u>	<u>TORMES</u>	<u>68</u>
<u>ESTONIA</u>	<u>88</u>	<u>KARINA</u>	<u>16</u>	<u>OSLO</u>	<u>41</u>	<u>TRENTO</u>	<u>95</u>
<u>EUROPA</u>	<u>92</u>	<u>KELLY B</u>	<u>17</u>	<u>OTTO</u>	<u>110</u>	<u>TRONDHEIM</u>	<u>6</u>
<u>FALUN A</u>	<u>62</u>	<u>KELLY C</u>	<u>17</u>	<u>PADOVA</u>	<u>72</u>	<u>URSULA</u>	<u>78</u>
<u>FALUN B</u>	<u>63</u>	<u>KELLY D</u>	<u>18</u>	<u>PALMA</u>	<u>86</u>	<u>VENEZIA</u>	<u>14</u>
<u>FALUN C</u>	<u>64</u>	<u>KIOSK</u>	<u>9</u>	<u>PEDRO A</u>	<u>42</u>	<u>VERONA</u>	<u>70</u>
<u>FINLANDIA</u>	<u>96</u>	<u>KRISTI</u>	<u>82</u>	<u>PEDRO B</u>	<u>42</u>	<u>VICTORIA B</u>	<u>12</u>
<u>GARAGE A</u>	<u>97</u>	<u>KRISTINA</u>	<u>83</u>	<u>PEDRO C</u>	<u>43</u>	<u>VICTORIA C</u>	<u>12</u>
<u>GARAGE B</u>	<u>97</u>	<u>LANGEOOG B</u>	<u>50</u>	<u>PEDRO D</u>	<u>43</u>	<u>VIGO</u>	<u>93</u>
<u>GARAGE D</u>	<u>99</u>	<u>LANGEOOG C</u>	<u>50</u>	<u>PEDRO E</u>	<u>44</u>	<u>VILLU</u>	<u>112</u>
<u>GARAGE OULU</u>	<u>98</u>	<u>LANZAROTE</u>	<u>11</u>	<u>PEDRO F</u>	<u>44</u>		

# Standard details

# Standard+ details



Wall logs 28/40 mm  
Wandbohlen 28/40 mm  
Tablas de pared 28/40 mm  
Tábuas de parede 28/40mm  
Madrirs de murs 28/40 mm  
Perline per parete 28/40mm  
Houtdikte 28/40 mm  
Ściana z bala 28/40mm  
Стеновые балки 28/40 мм  
Panel kalasları 28/40 mm



Impregnated foundation beams  
Imprägnierte Fundamenthölzer  
Perfiles tratados en autoclave verde  
Perfil de tratamento autoclave verde  
Solivage traité autoclave  
Basamento travi impregnato  
in autoclave  
Geïmpregneerd funderingshout  
Impregnowane ciśnieniowo podwaliny  
Пропитанные фундаментные балки  
Emprenye temel/destek kirişleri



Comer joint  
Eckversatz  
Doble ensablaje,  
protección contra vientos  
Duplo encaixe de proteção  
contra ventos  
Double entailage étanchelté parfaite  
Incastro  
Kruisverbinding  
Угловые соединения с ветрозащитой  
Köşe eklemi



Precision jointing  
Perfekte Verbindungen  
Uniones perfectas  
Uniões perfeitos  
Assemblage parfaitement ajusté  
Giunzione perfetta  
Perfekte verbindingen  
Idealne połączenia  
Прецизионные соединения  
Hassas ölçümlü eklemler



Storm bar  
Sturmleiste  
Listones de la tormenta  
Dispositivo de proteção temporal  
Dispositif d'haubanage  
Dispositivo protezione temporali  
Stormverankering  
Listwa zabezpieczająca przed wichurą  
Противоштормовое приспособление  
Yıldırım çubuğu



Cylinder-locks  
PZ-Schloss  
Cerradura-bombín  
Fechadura cilíndrica  
Porte avec serrure á clé normes  
européennes  
Chiusura cilindrica  
Cylinder slot  
Zamek cylindryczny  
Цилиндрические врезные замки  
Silindir kilitler



Laminated wood for door  
Türen aus Leimholz  
Las puertas en madera laminada  
Portas em Madeira laminada  
Porte en lamellé collé  
Porte in legno lamellare  
Gelamineerde deuren  
Drzwi z drewna klejonego  
Ламинированная древесина  
для дверей  
Kapı için lamine ahşap



Floor and roof boards 18 mm  
Fußboden- und Dachbrett 18mm  
Tablas de techo y suelo 18mm  
Tábuas de telhado y chão 18mm  
Lames de plancher 18 mm  
Tavole per pavimento e tetto 18mm  
Vloer en dakbeplanking 18 mm  
Deska podłogowa i dachowa 18mm  
Половая и кровельная доска 18 мм  
Zemin ve çatı panosu 18 mm



Hardware kit  
Beschlagbeutel  
Todos los herrajes  
(manivelas, clavos, tornillos)  
Ferragens  
Kit de quincaillerie complet  
Ferramenta  
Bevestigingsmaterialen  
Zestaw okuć  
Набор фурнитуры для сборки  
Montaj kiti



Stainless steel threshold  
Edelstahl-Türschwelle  
Franja de umbral de la puerta  
con lámina de acero inoxidable  
Faixa de entrada coberto  
com chapa de aço inoxidável  
Seuil de porte arasant avec  
plancher habillé inox  
Soglia del portone in inox  
RVS dorpel  
Próg drzwi ze stali nierdzewnej  
Дверной порог с планкой  
из нержавеющей стали  
Paslanmaz çelik kapı eşiği



Tongue and groove roof boards 18mm  
Profilierte Dachbretter 18 mm  
Tablones 18 mm para techos  
Tábuas de 18mm para telhado  
Sous toiture (volige) 18 mm  
Tavole profilate per tetto 18mm  
Geprofileerde dakplanken 18 mm  
Profilowana deska dachowa 18mm  
Фасонные потолочные доски 18 мм  
Profilli çatı panoları 18 mm

## WINDOWS

	Standard	Standard+
Wood Species / Holzart	Spruce / Fichte	Spruce / Fichte
Wall thickness / Wandstärke	28/40 mm	40 mm
Glazing / Glas	3 mm	3+6+3 mm
Silicone gasket / Gummidichtung	N/A	N/A
Water gutter / Wasserschenkel	Wood / Holz	Wood / Holz
Window opening / Öffnungssystem	Tilt & Turn / Dreh-Kipp	Tilt & Turn / Dreh-Kipp



## Standard+



## DOORS

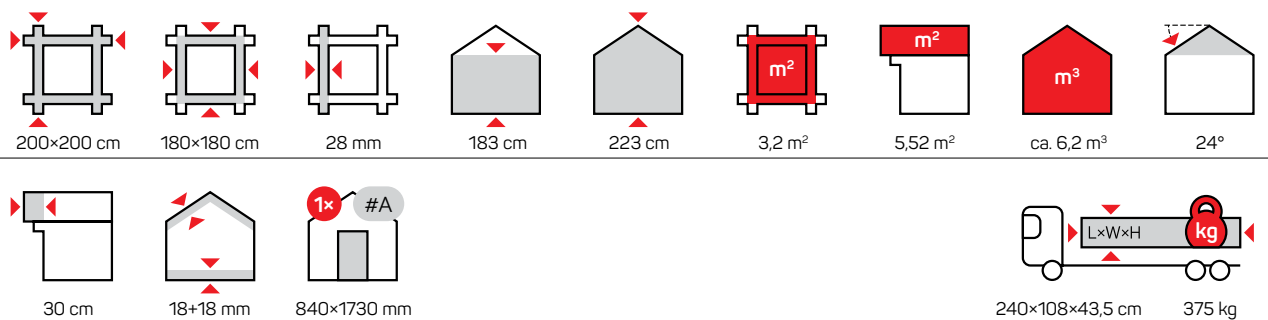
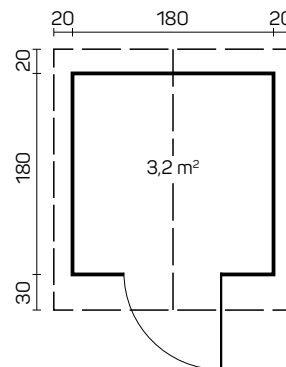
	Standard	Standard+
Wood Species / Holzart	Spruce / Fichte	Spruce / Fichte
Wall thickness / Wandstärke	28/40 mm	40 mm
Laminated wood / Leimholz	Yes / Inklusive	Yes / Inklusive
Glazing / Glas	3 mm	3+6+3 mm
Silicone gasket / Gummidichtung	N/A	Yes
Door threshold / Türschwelle	Stainless steel / Edelstahl-Türschwelle	Stainless steel / Edelstahl-Türschwelle
Locking system / Schloss	Cylinder / Profilzylinder schloss	Cylinder / Profilzylinder schloss





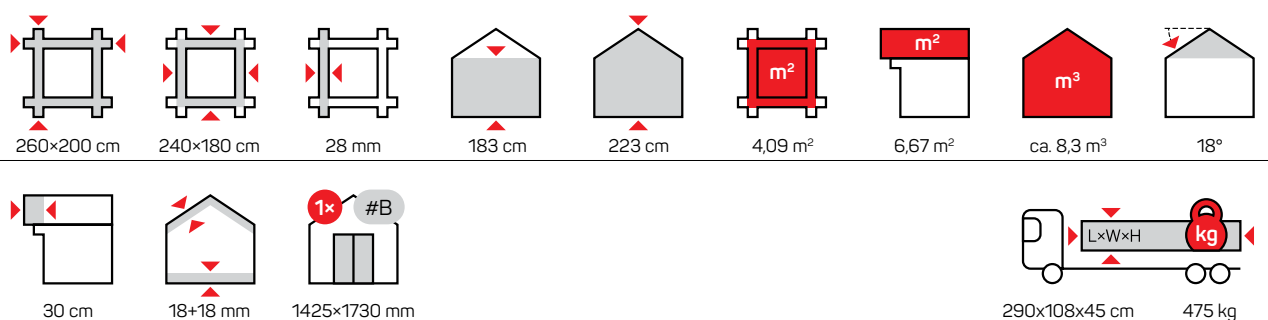
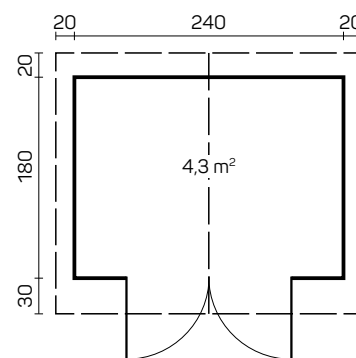
# BETTY

Art 122009.2



# CAROL

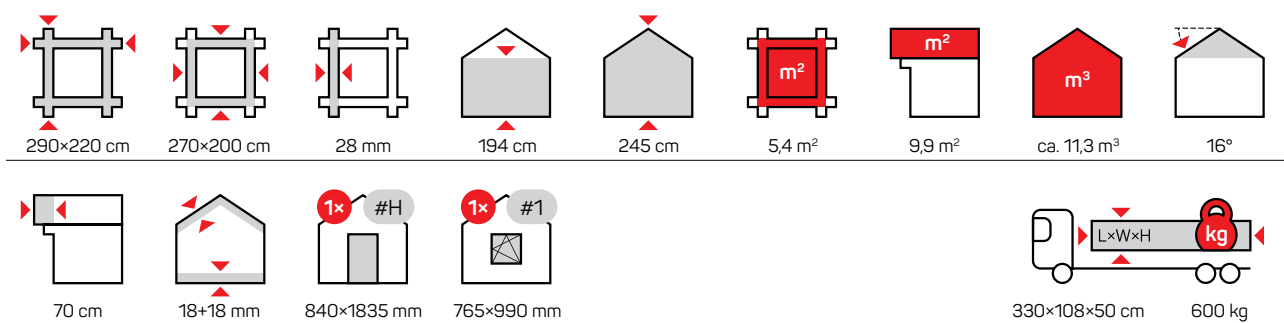
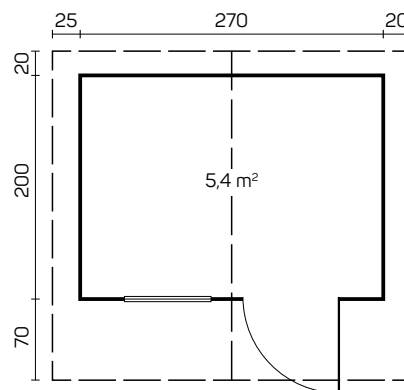
Art 122010.2





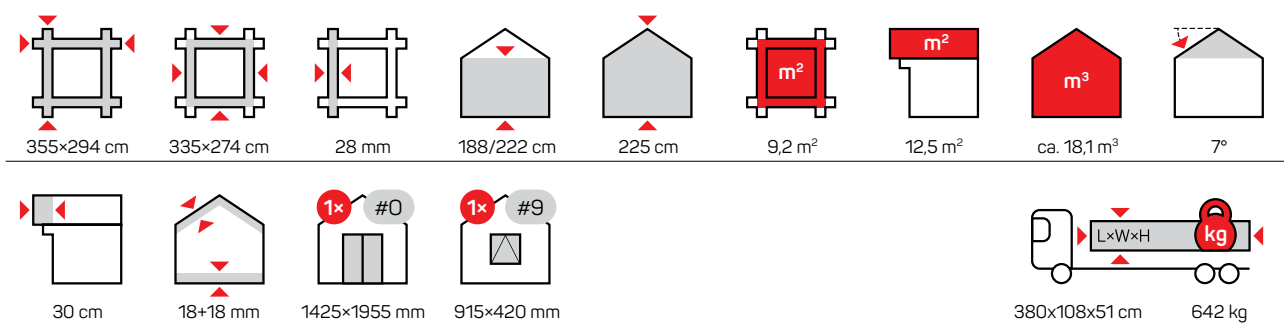
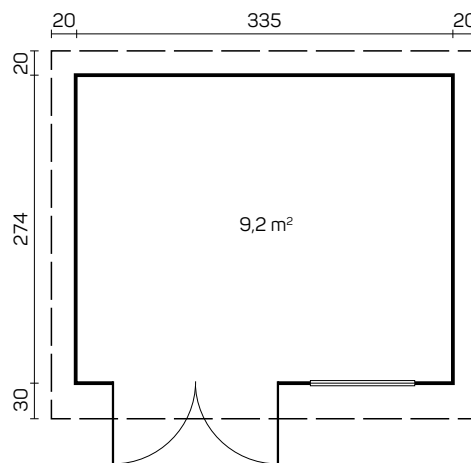
# TRONDHEIM

Art 122206.2

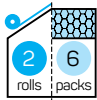


# NEVADA

Art 122100

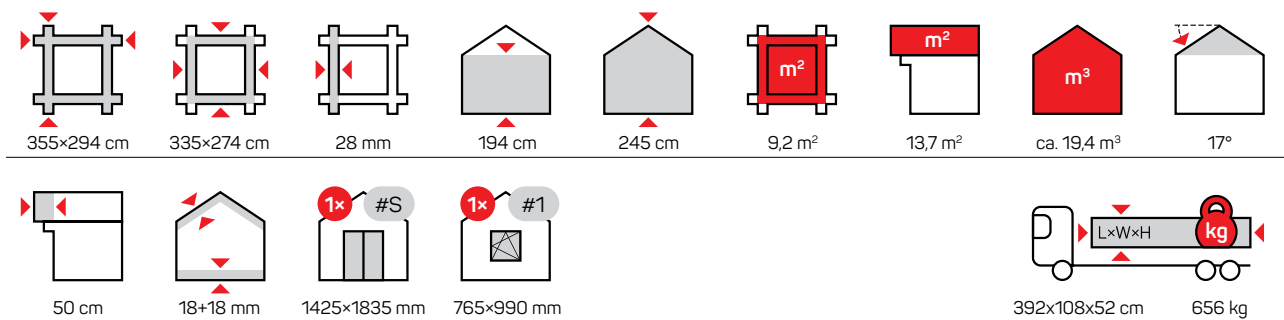
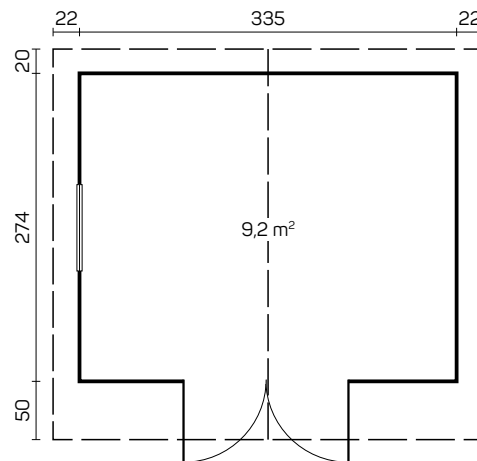






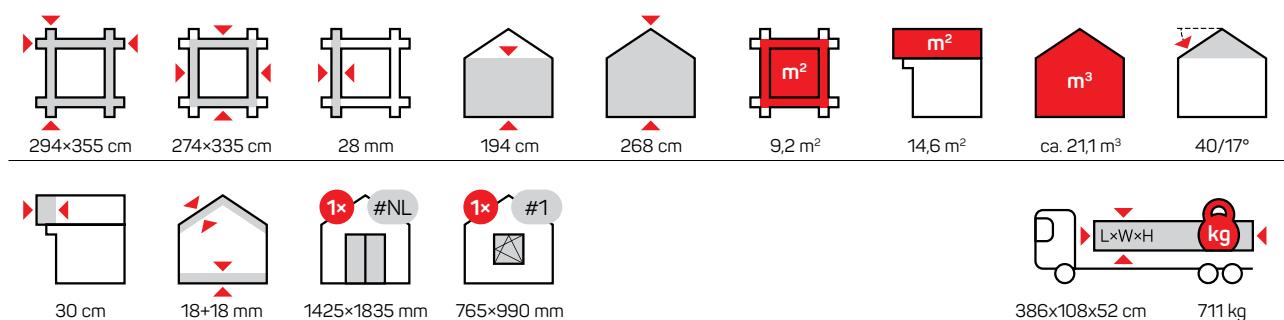
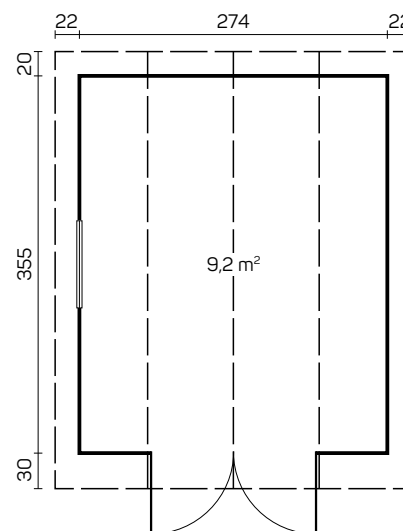
# ALABAMA

Art 122081



# COLORADO

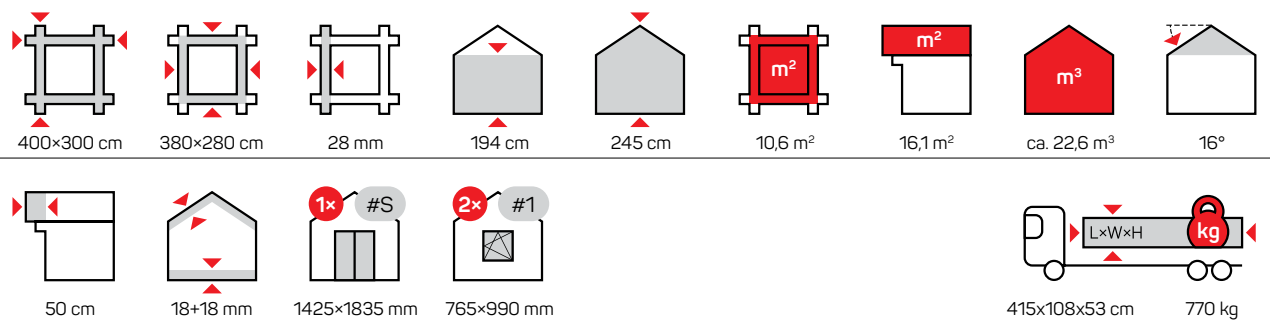
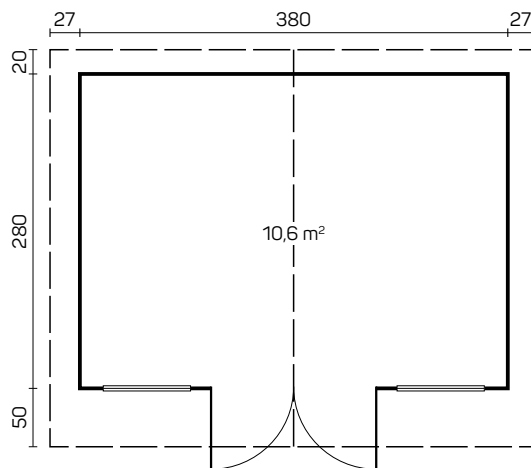
Art 122082





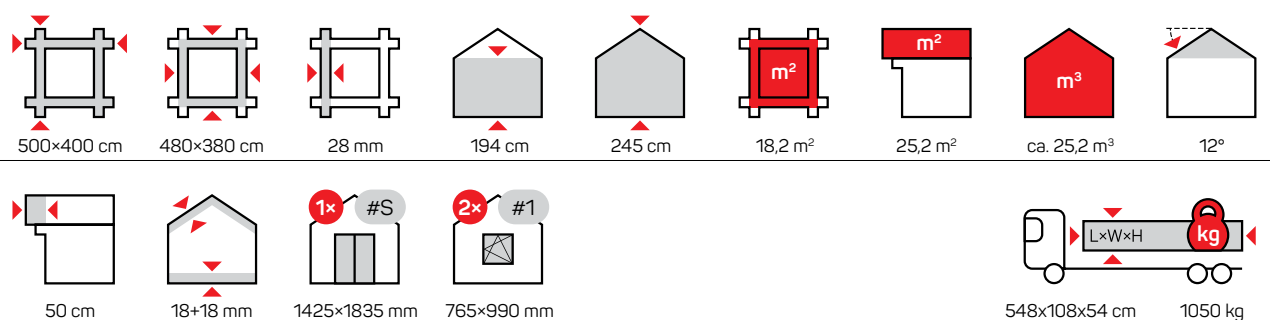
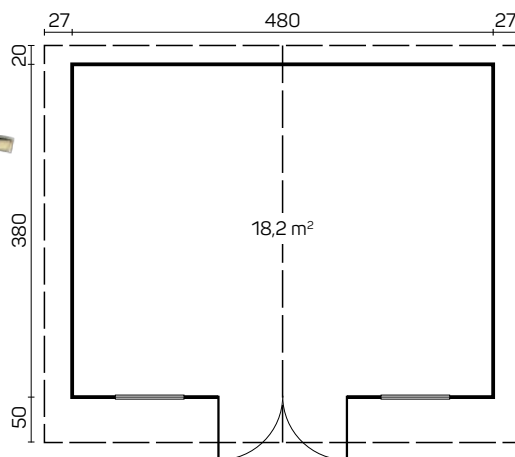
# NERVION

Art 122209.2



# BIDASOA

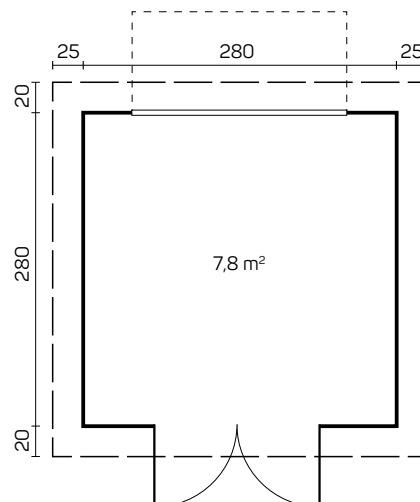
Art 122217



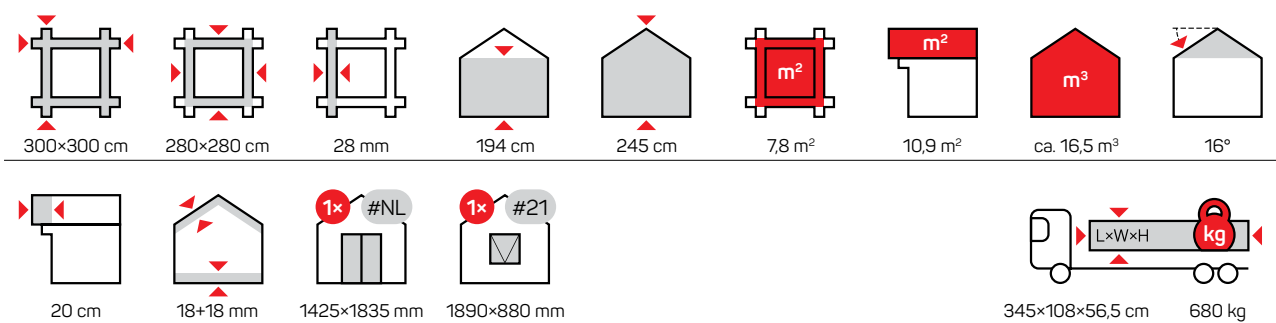


# KIOSK

Art 122224.2



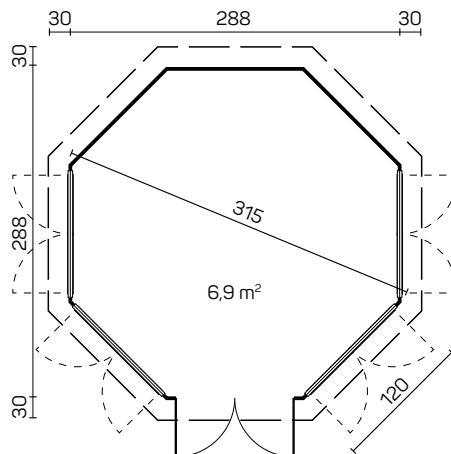
Standard





# LOUISE 4F

Art 122420

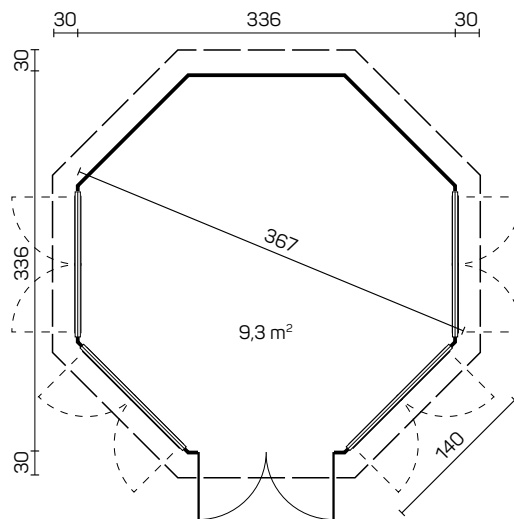


315 cm	300 cm	40 mm	218 cm	310 cm	6,5 m <sup>2</sup>	12,1 m <sup>2</sup>	ca. 16,1 m <sup>3</sup>	32°
30 cm	18+18 mm	1x #LO	4x #19	295x108x61 cm +208x76x54 cm		730 kg		

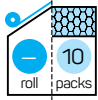


# EMMA 4F

Art 122421

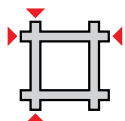
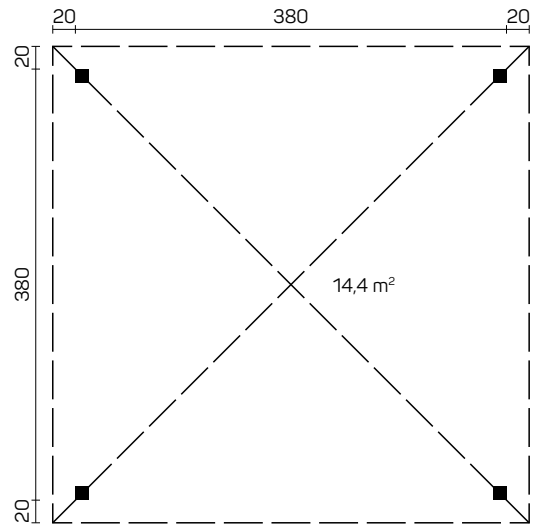


367 cm	351 cm	40 mm	218 cm	325 cm	8,9 m <sup>2</sup>	15,7 m <sup>2</sup>	ca. 15,7 m <sup>3</sup>	32°
30 cm	18+18 mm	1x #EM	4x #20	332x108x63 cm +238x76x54 cm		870 kg		



# LANZAROTE

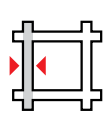
Art 122396



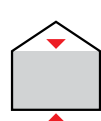
400x400 cm



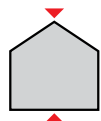
-



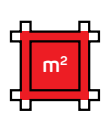
40 mm



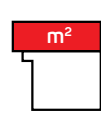
269 cm



340 cm

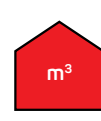


14,4 m<sup>2</sup>



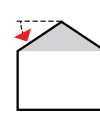
m<sup>2</sup>

26 m<sup>2</sup>

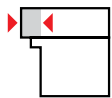


m<sup>3</sup>

-



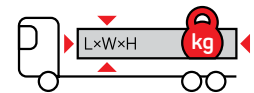
22°



20 cm

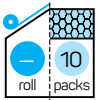


18 mm



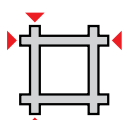
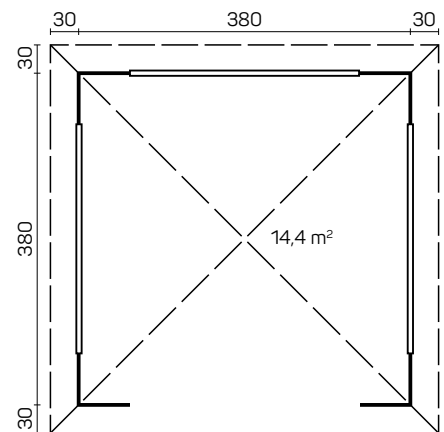
425x108x30 cm

460 kg



# IBIZA

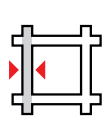
Art 122405/111168/111704



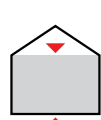
400x400 cm



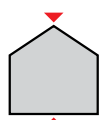
380x380 cm



40/70 mm



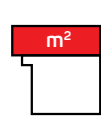
228 cm



288 cm

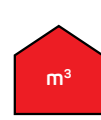


14,4 m<sup>2</sup>



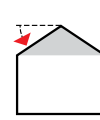
m<sup>2</sup>

26 m<sup>2</sup>

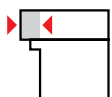


m<sup>3</sup>

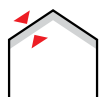
-



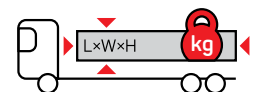
22°



30 cm



18 mm

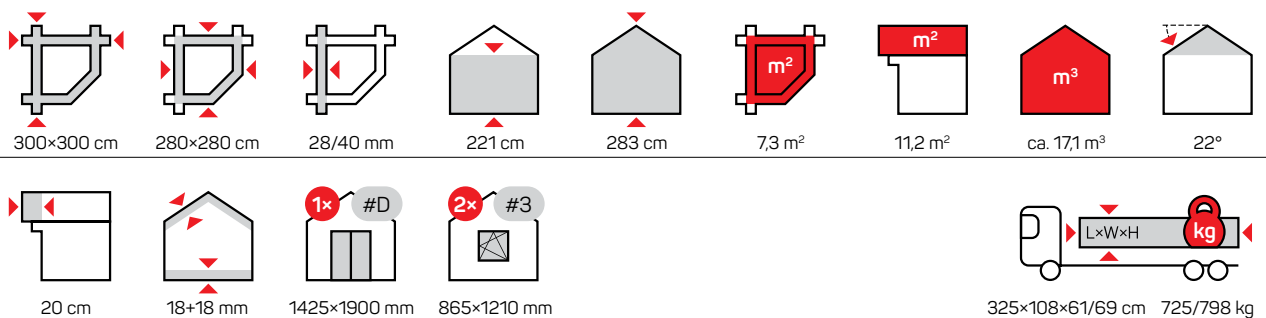
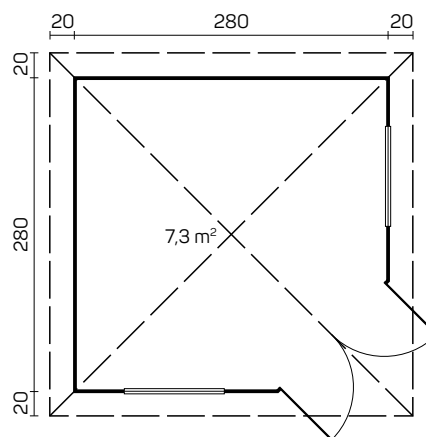


40 mm: 444x108x45 csemioom770 kg



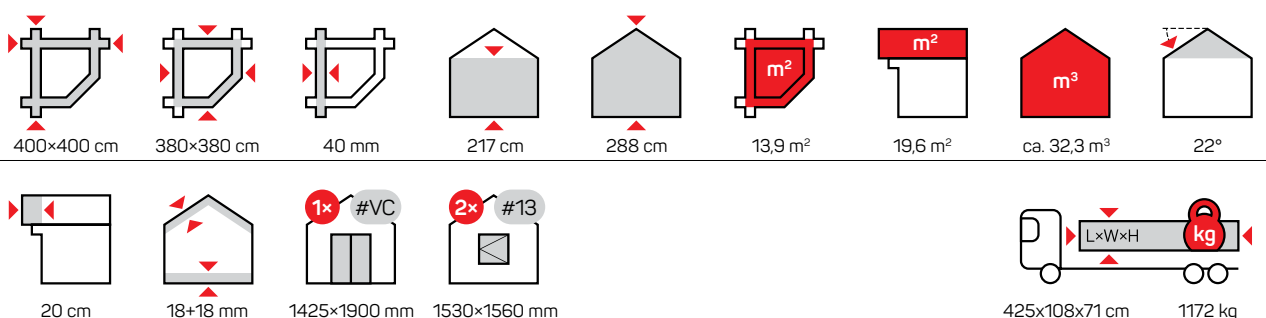
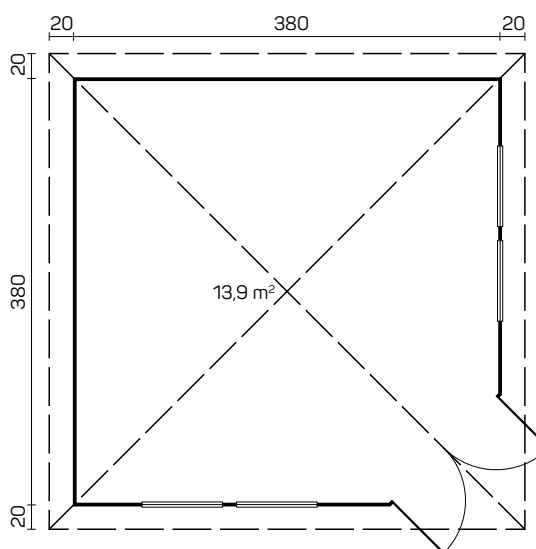
# VICTORIA B

Art 122016/122058

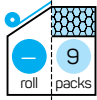


# VICTORIA C

Art 122413

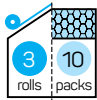
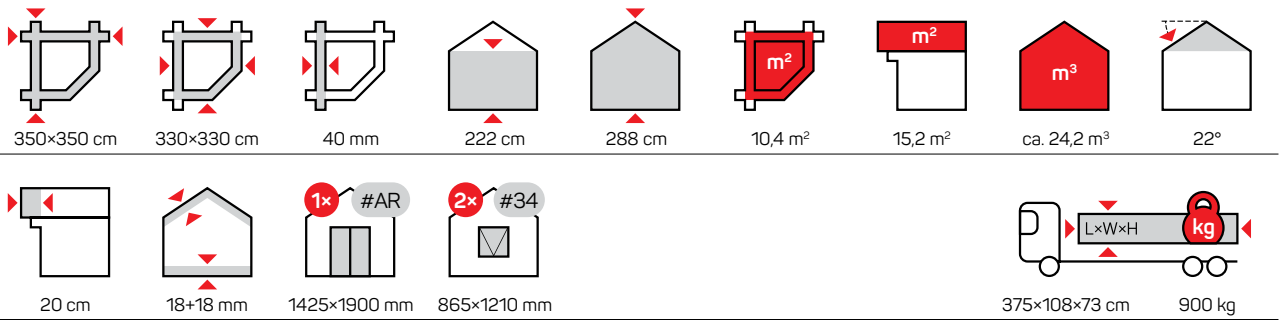
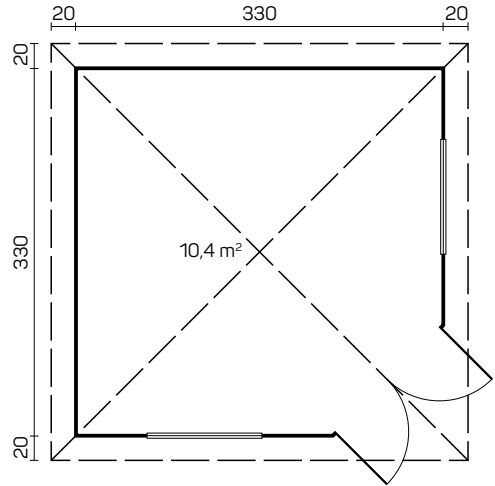


**Standard +**



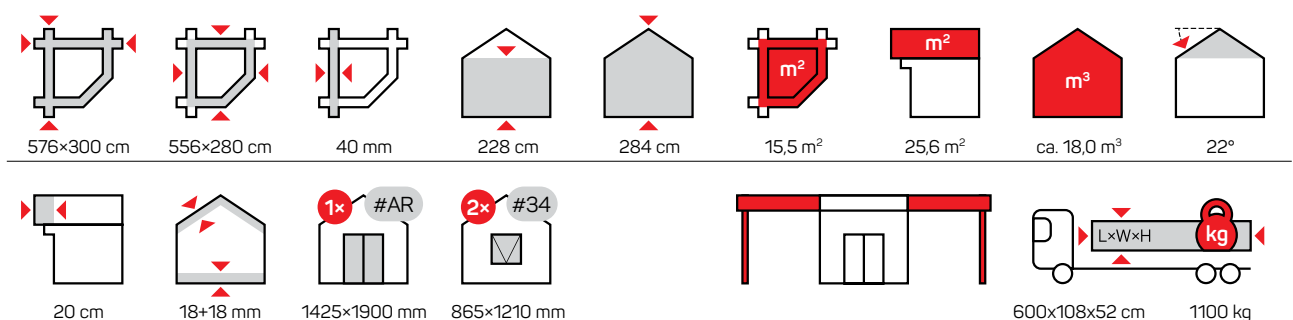
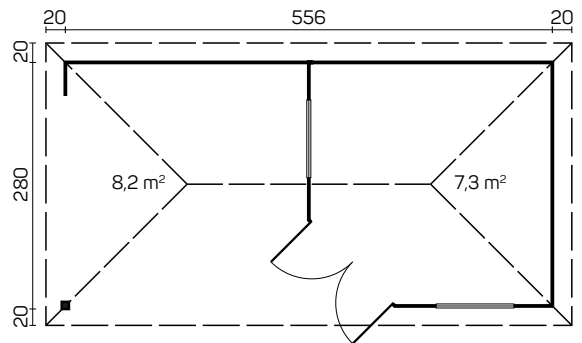
# ARUBA

Art 122036



# CATANIA

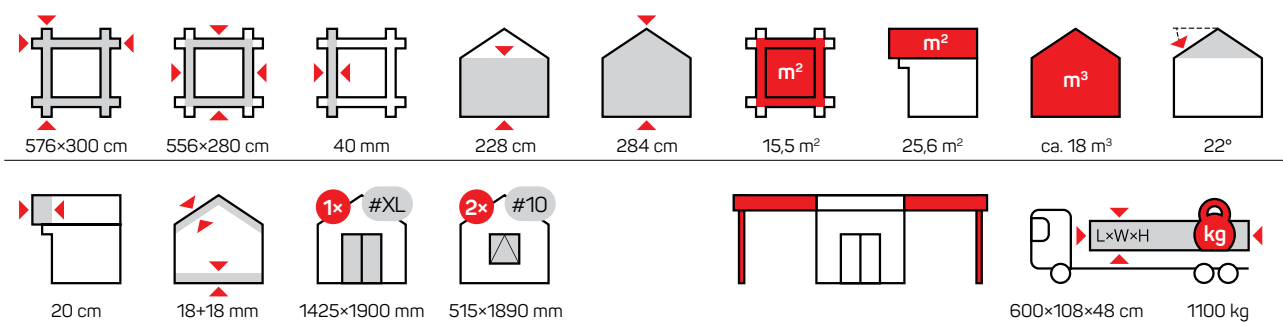
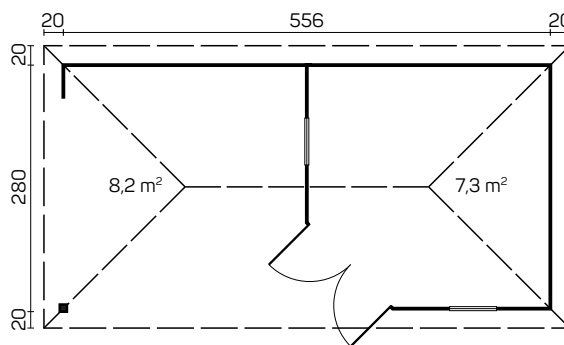
Art 122038





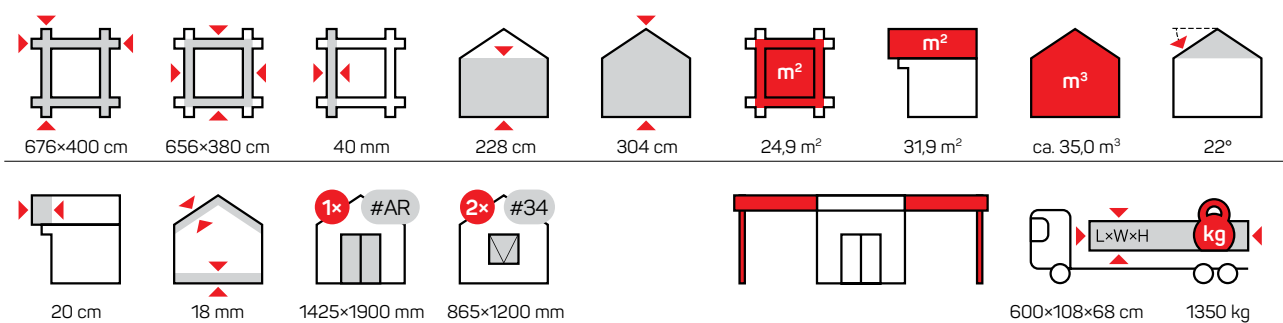
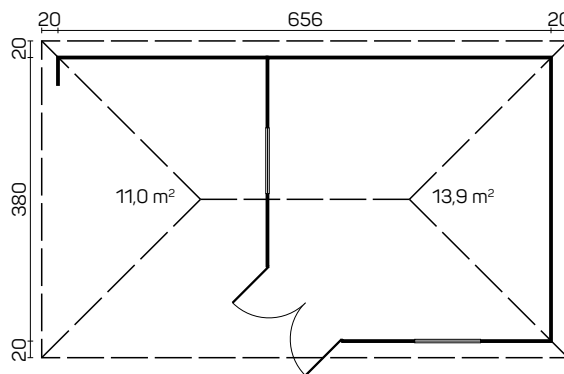
# VENEZIA

Art 122039



# SICILIA

Art 122109

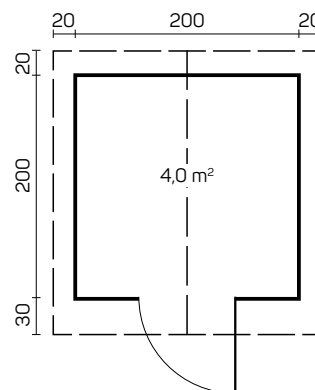




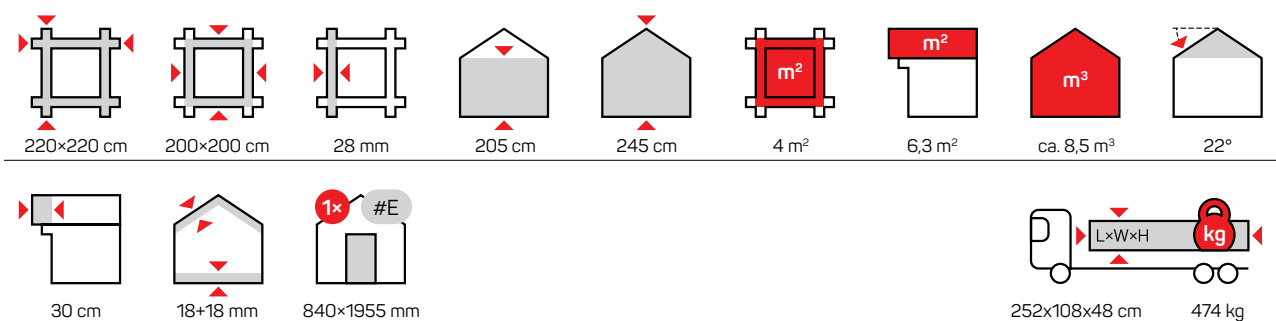


# TIINA A

Art 122098.2



Standard

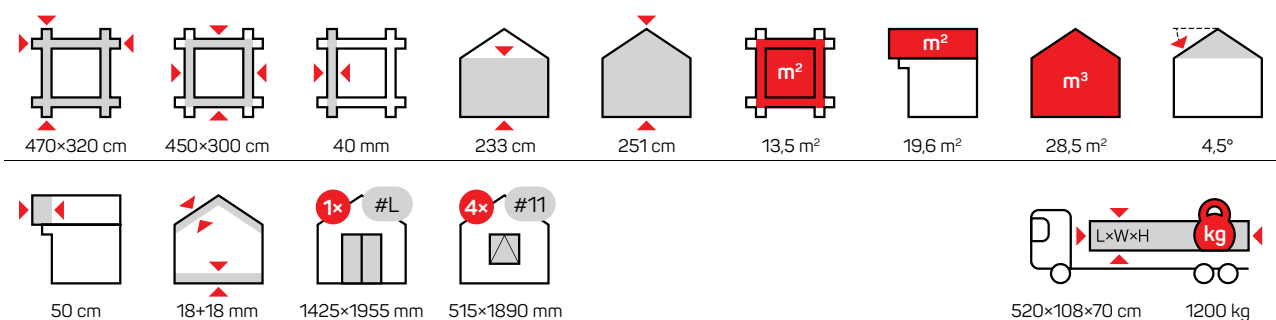
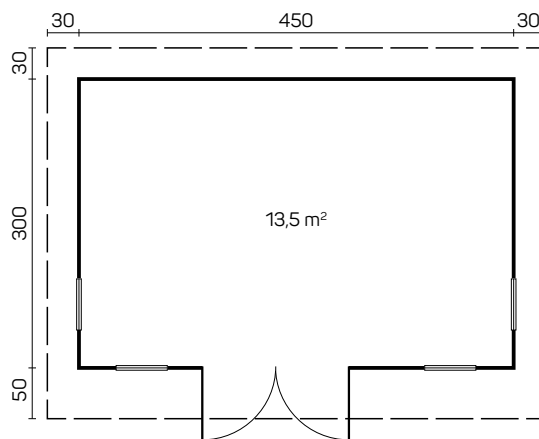


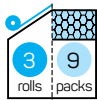
# OKLAHOMA

Art 122064



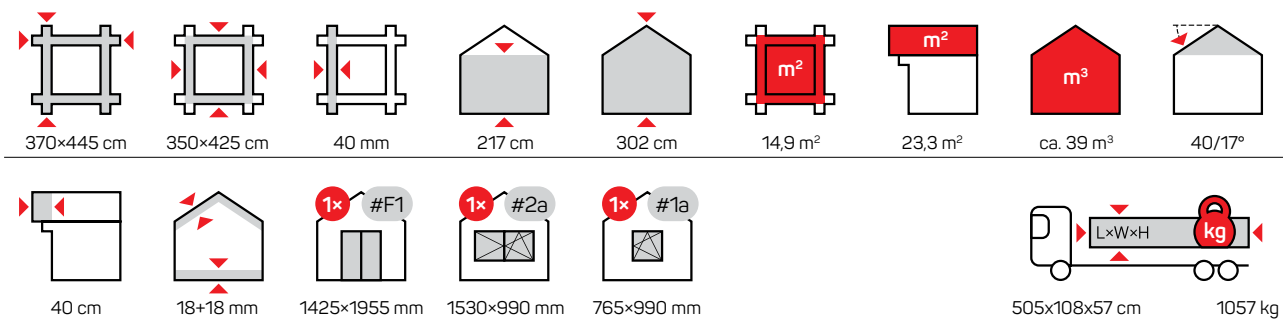
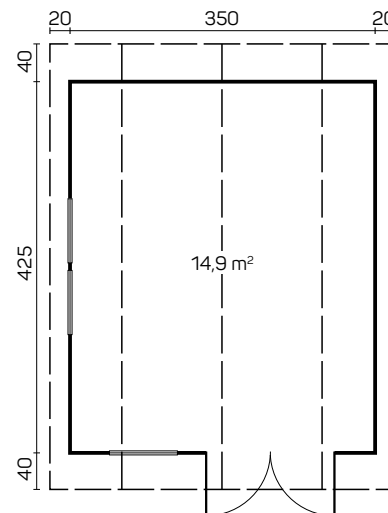
Standard +





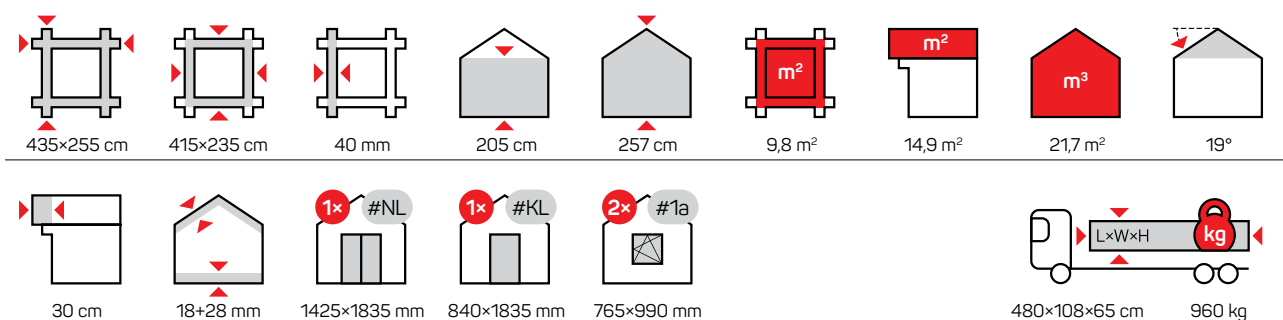
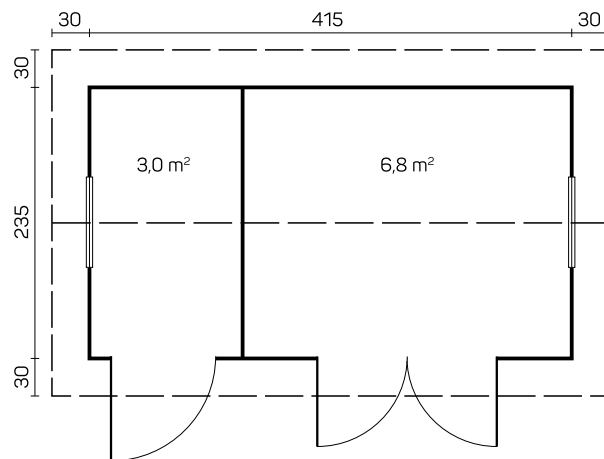
# KANSAS

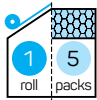
Art 122107



# KARINA

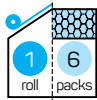
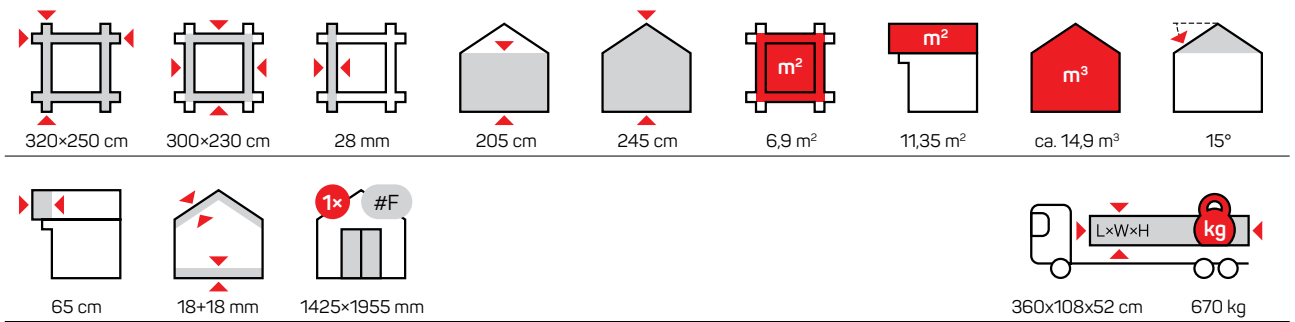
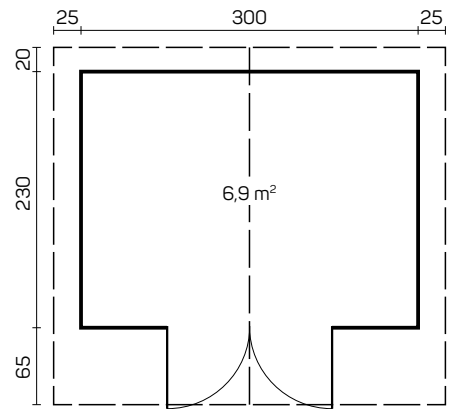
Art 122042





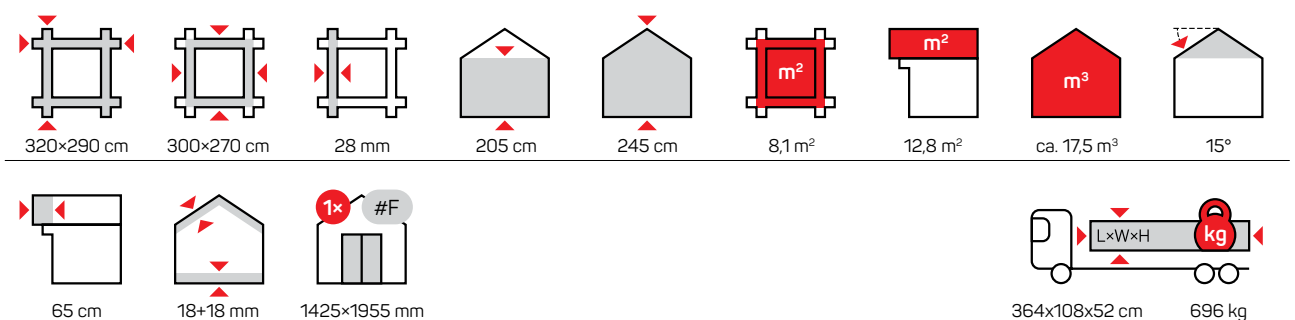
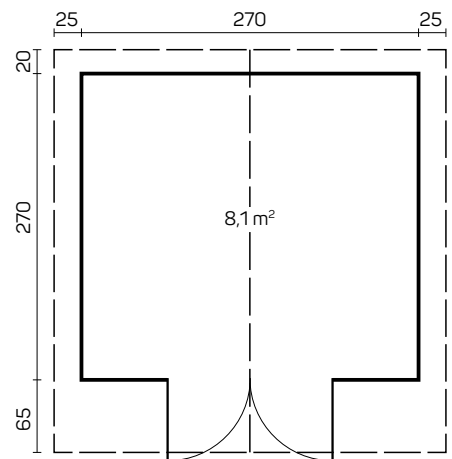
# KELLY B

Art 122002.2



# KELLY C

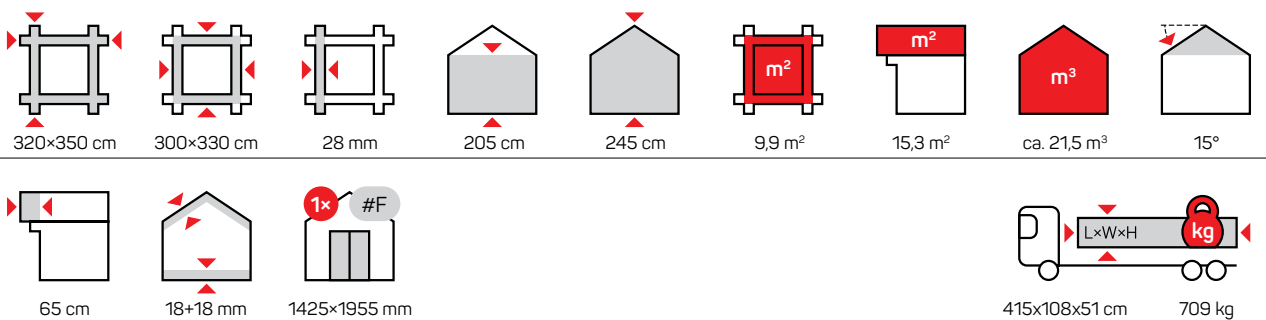
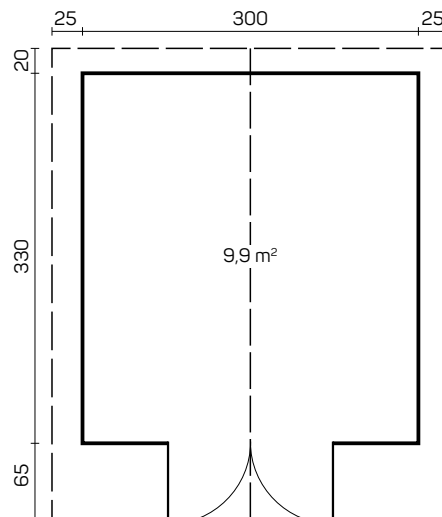
Art 122003.2





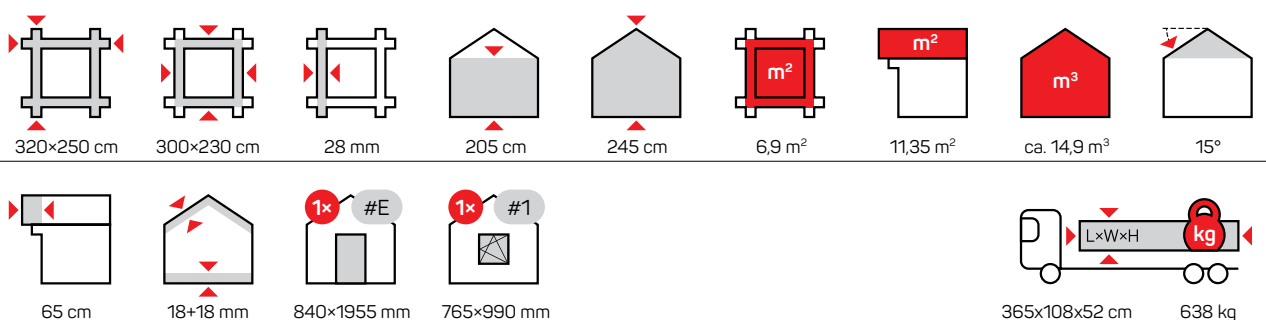
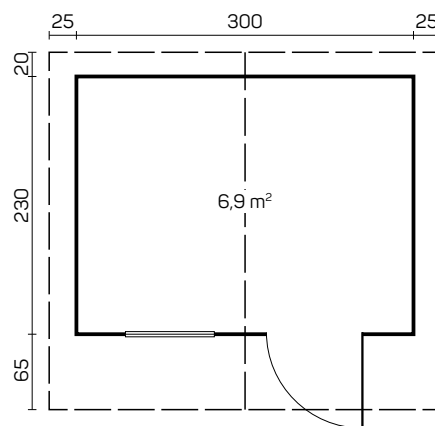
# KELLY D

Art 122078



# MONIKA B

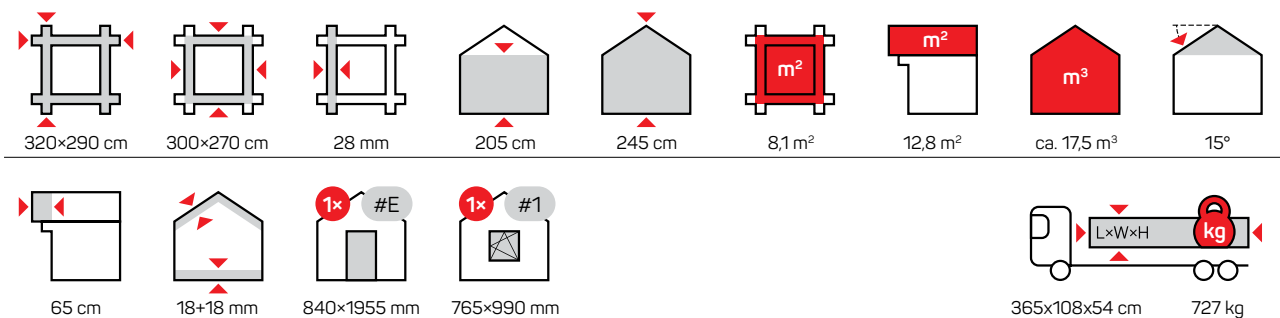
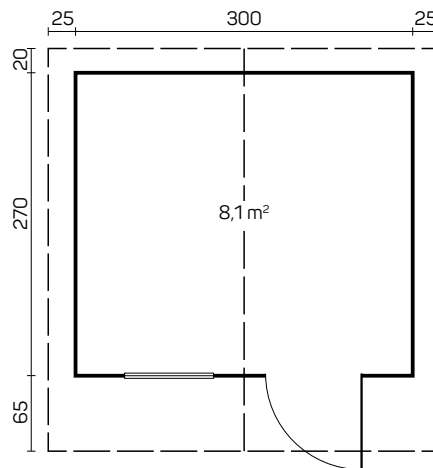
Art 122012.2





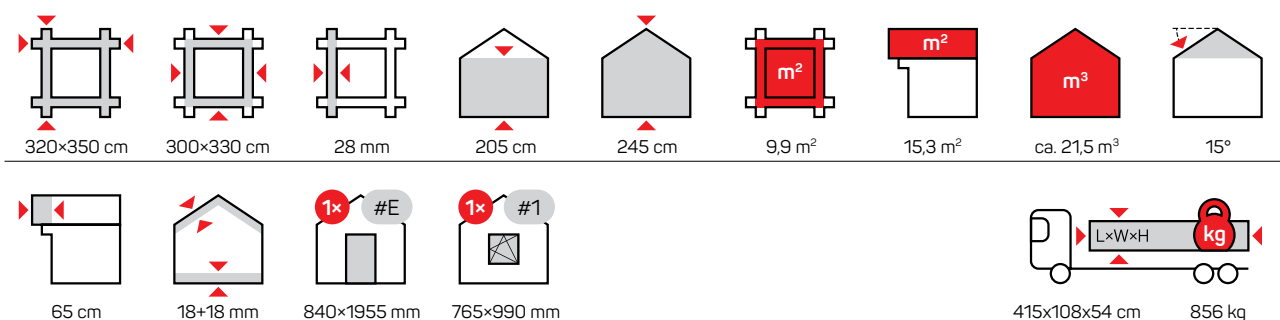
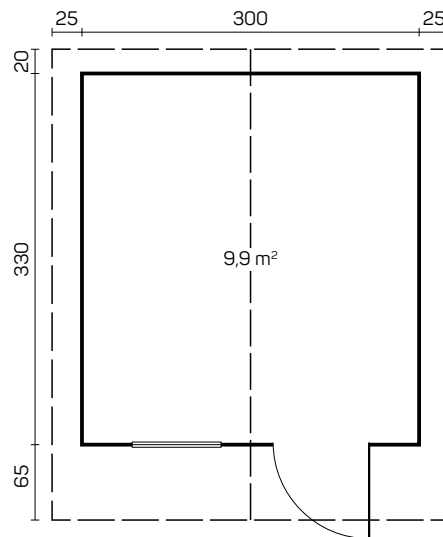
# MONIKA C

Art 122013.2



# MONIKA D

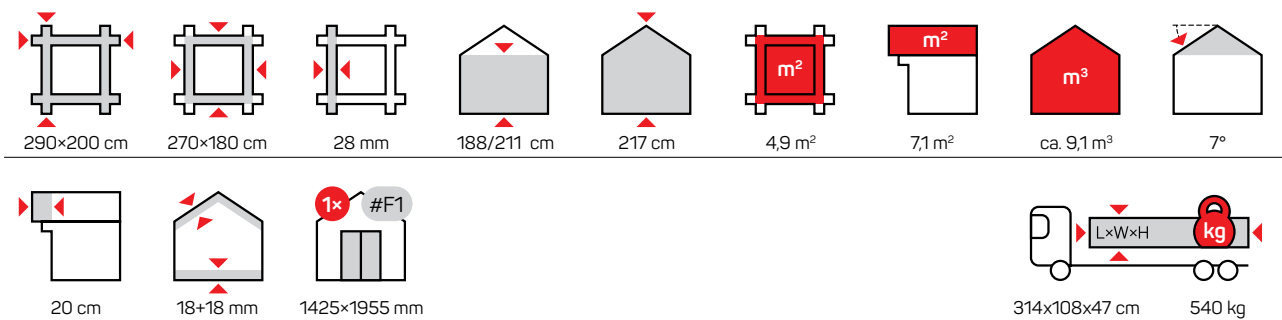
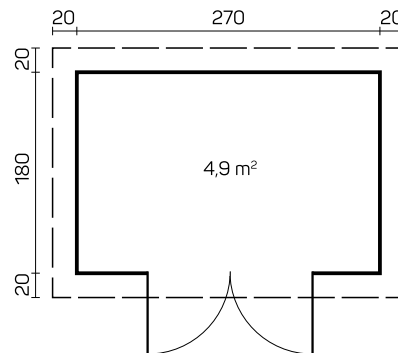
Art 122079





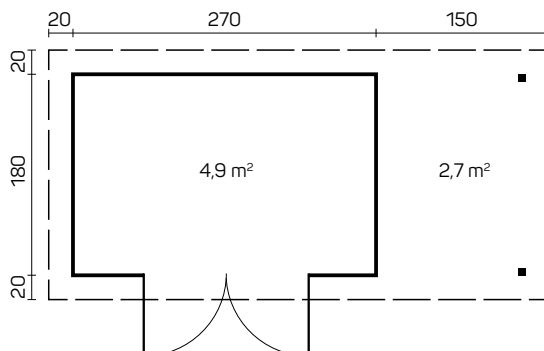
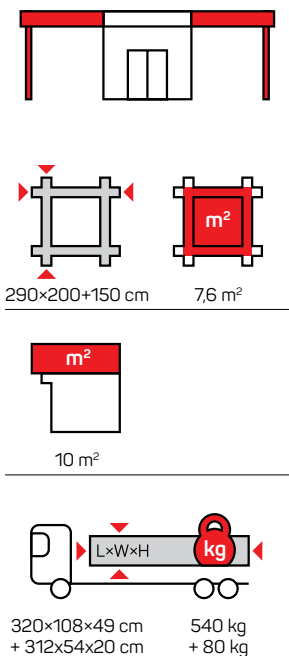
# GLORIA A

Art 122005.2



# GLORIA A+SD150

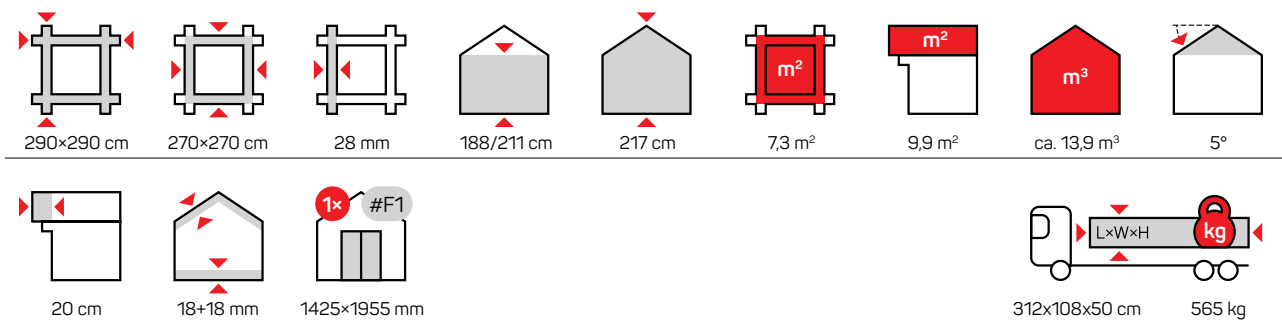
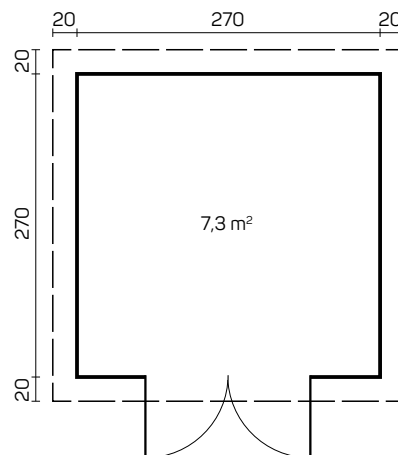
Art 122005.2+SD150





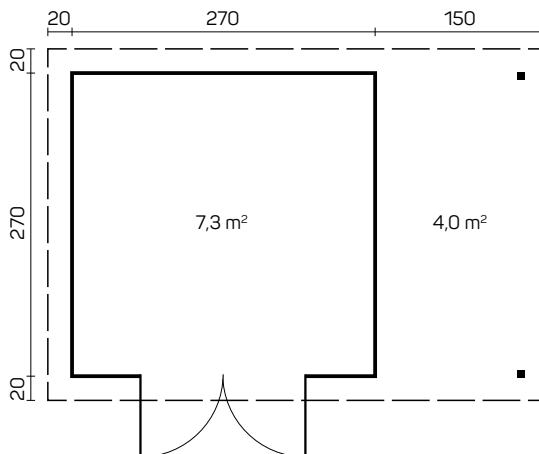
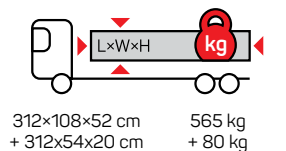
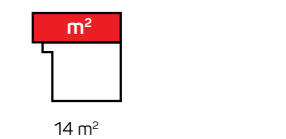
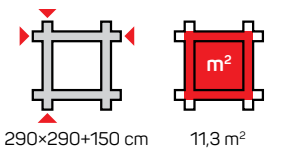
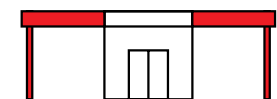
# GLORIA D

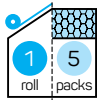
Art 122023.2



# GLORIA D+SD150

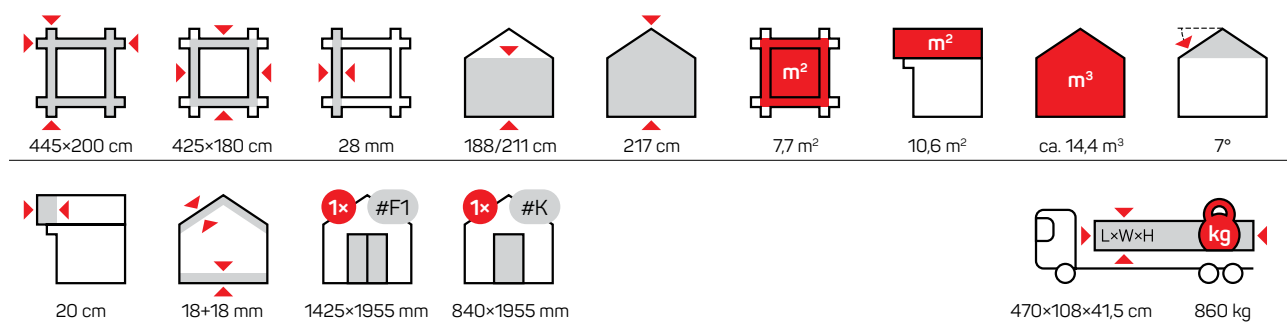
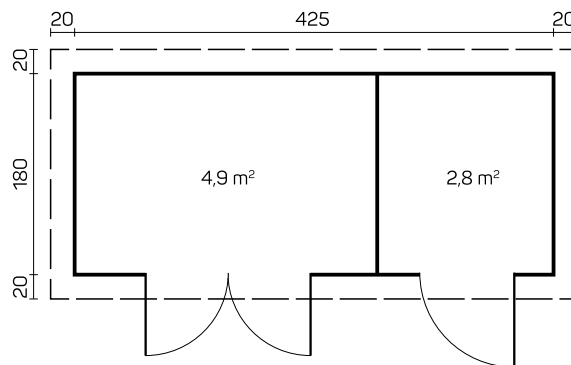
Art 122023.2+SD150





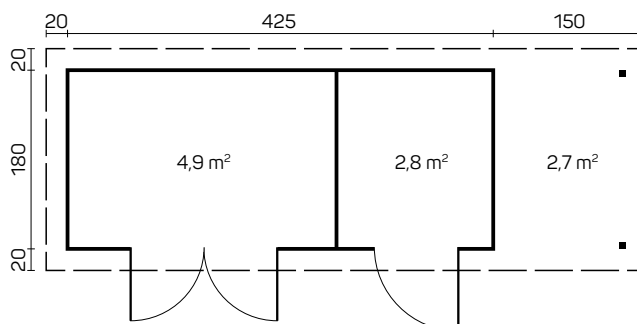
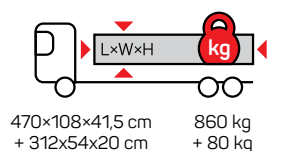
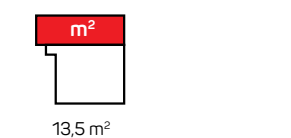
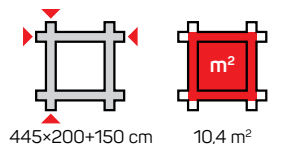
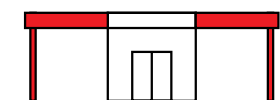
# GLORIA F

Art 122034.2



# GLORIA F+SD150

Art 122034.2+SD150

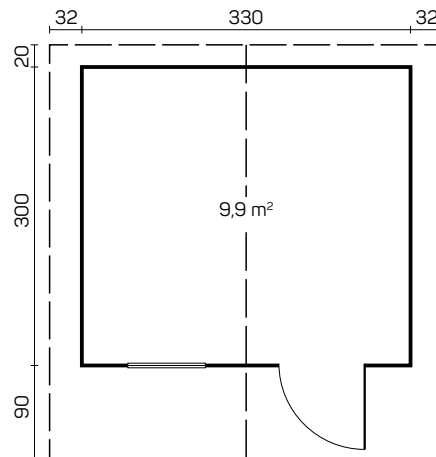






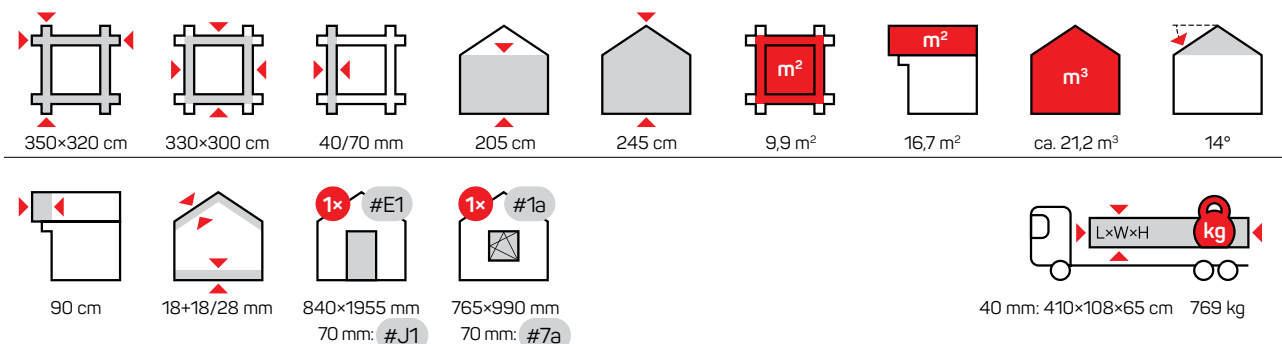
# LUGO

Art 122104/111059/111430



Standard

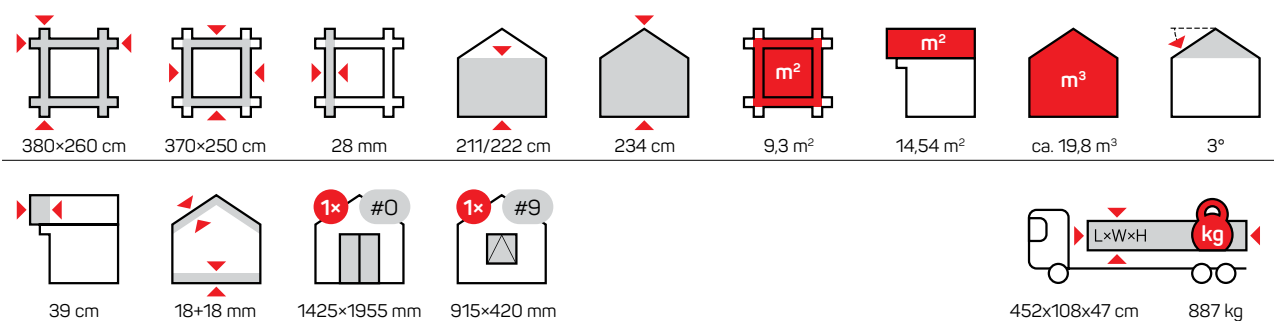
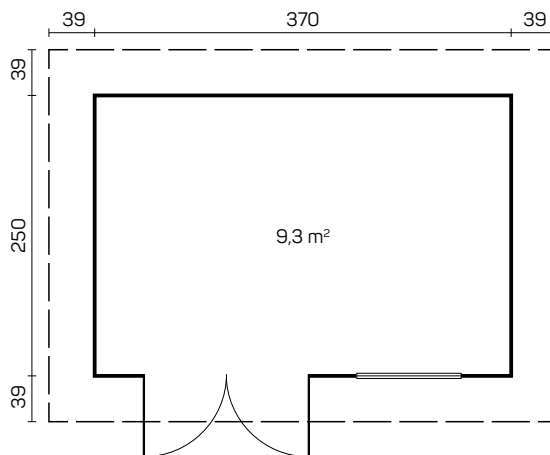
70 mm Premium





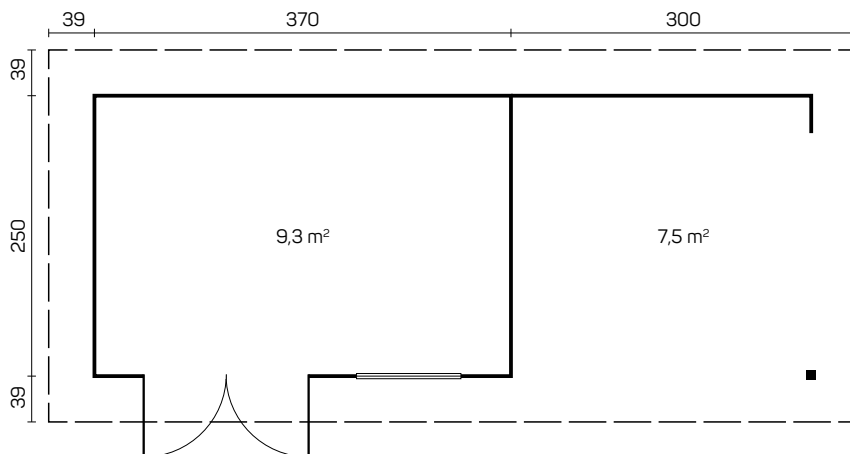
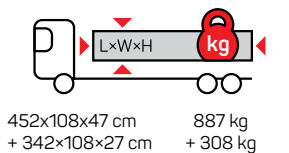
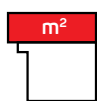
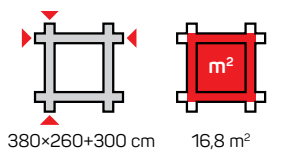
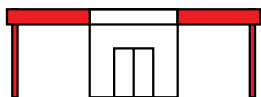
# ORIENTAL 3

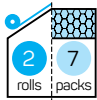
Art 122203.2



# ORIENTAL 3+SD 300

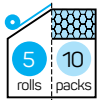
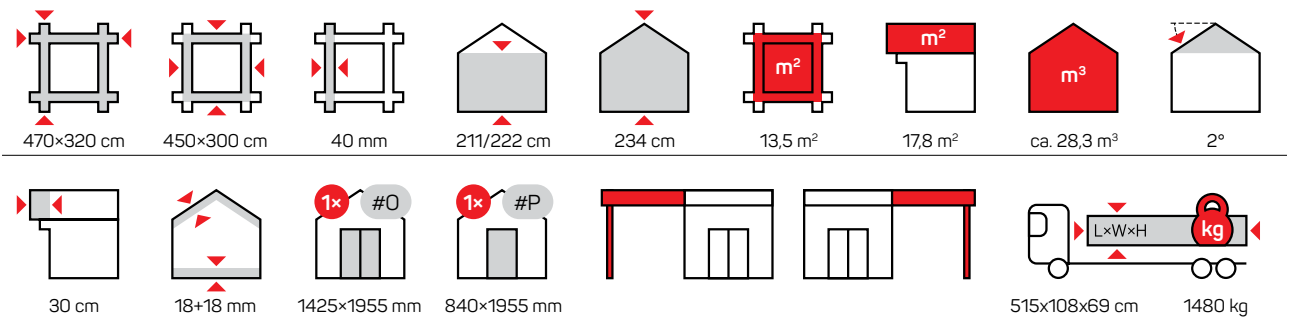
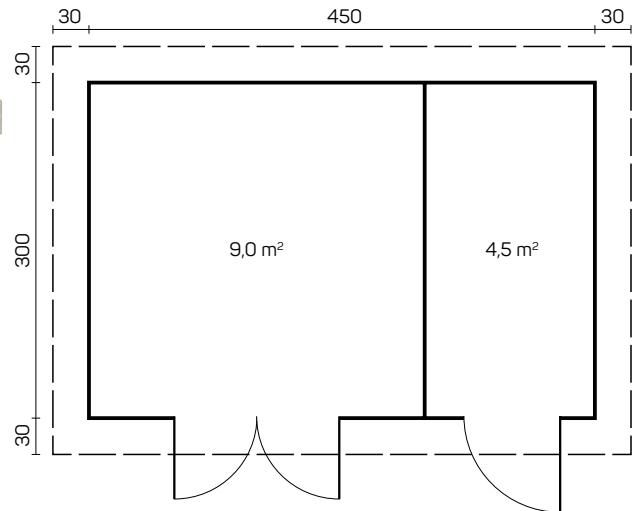
Art 122203.22+122\_211SD.2.28





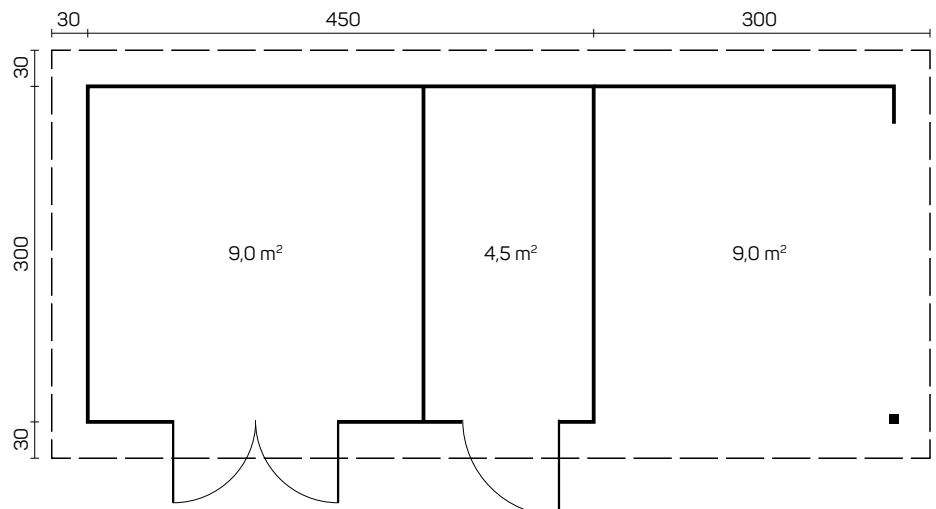
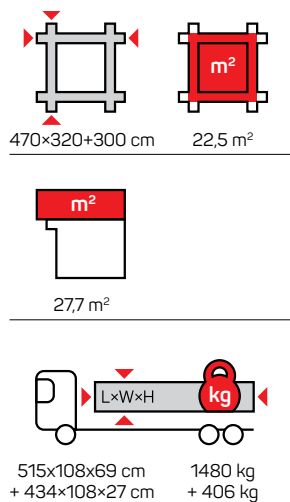
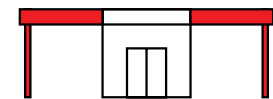
# ORIENTAL 4

Art 122205.2



# ORIENTAL 4+SD 300

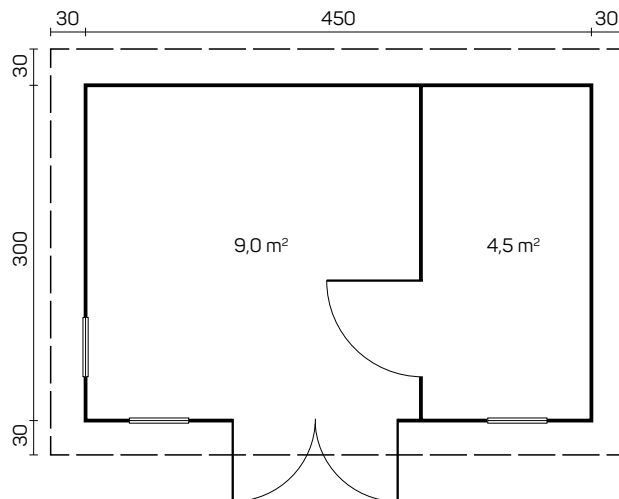
Art 122205.2+122\_211SD.2.28

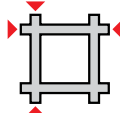
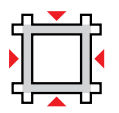
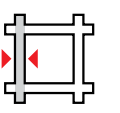
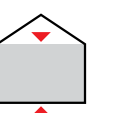
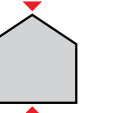
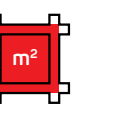
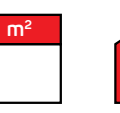
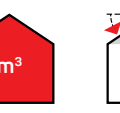

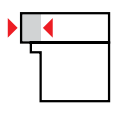
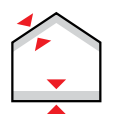
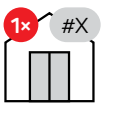
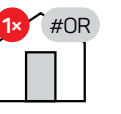
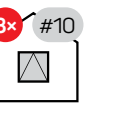
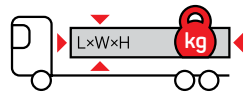




# ORIENTAL 5

Art 122200.2

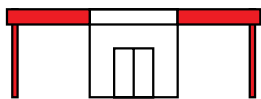


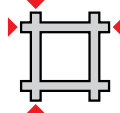

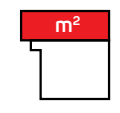
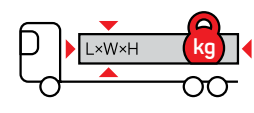
 470×320 cm	 450×300 cm	 40 mm	 211/222 cm	 234 cm	 13,5 m <sup>2</sup>	 17,8 m <sup>2</sup>	 ca. 28,3 m <sup>3</sup>	 2°
 30 cm	 18+18 mm	 1x #X	 1x #OR	 3x #10	 510×108×69 cm    1450 kg			

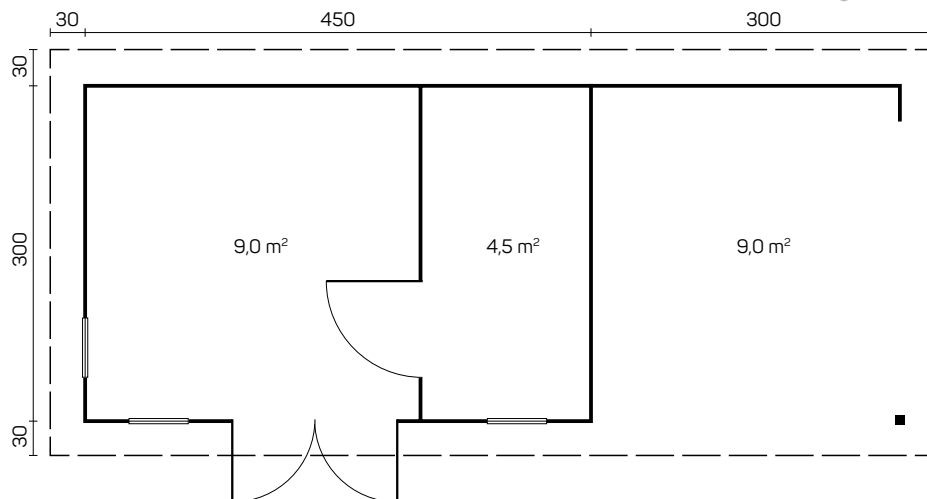


# ORIENTAL 5+SD 300

Art 122200.2+122\_211SD.2.28



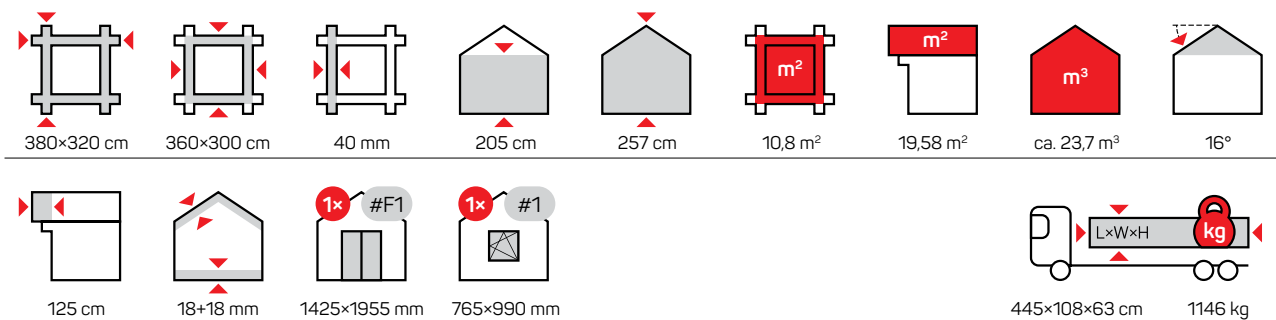
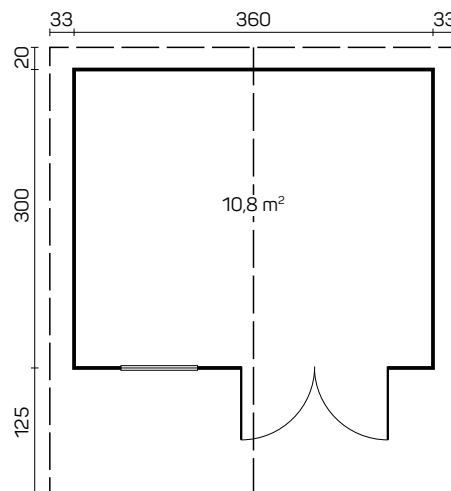
 470×320+300 cm	 22,5 m <sup>2</sup>
 27,7 m <sup>2</sup>	
 510×108×69 cm    1450 kg + 434×108×28 cm    + 406 kg	





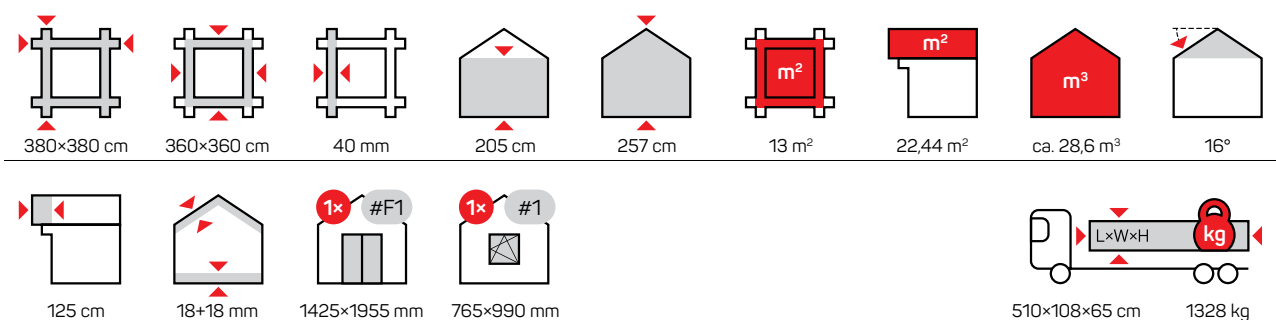
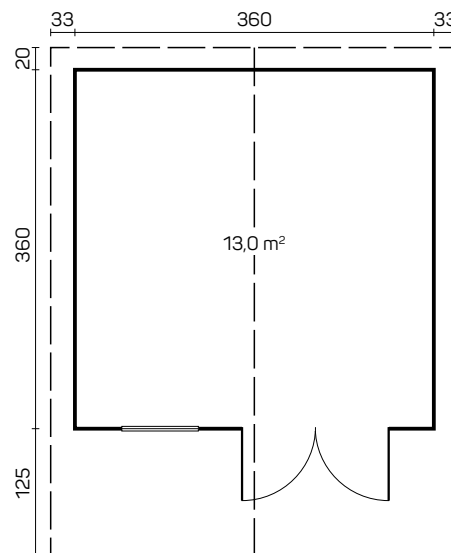
# MARI A

Art 122045.2



# MARI B

Art 122046.2



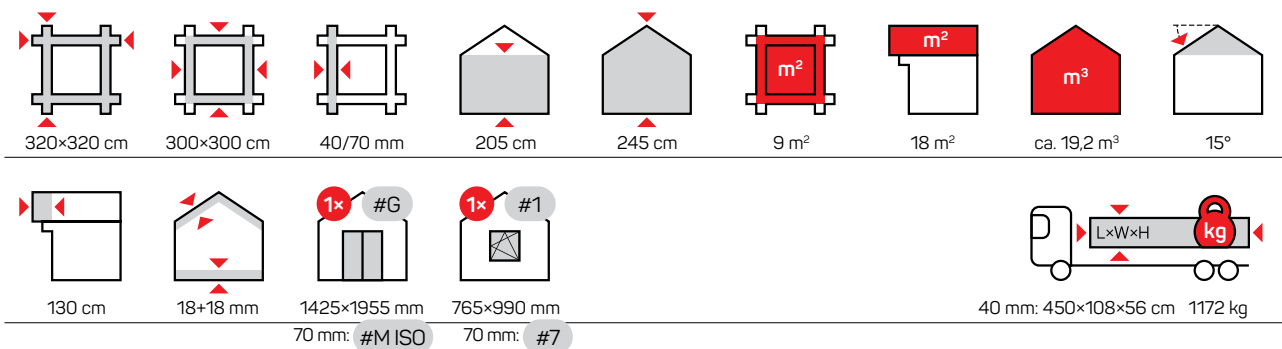
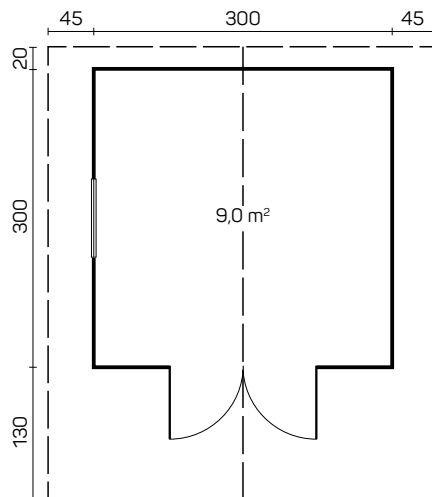


# SANDRA B

Art 122053.2/111528/111733

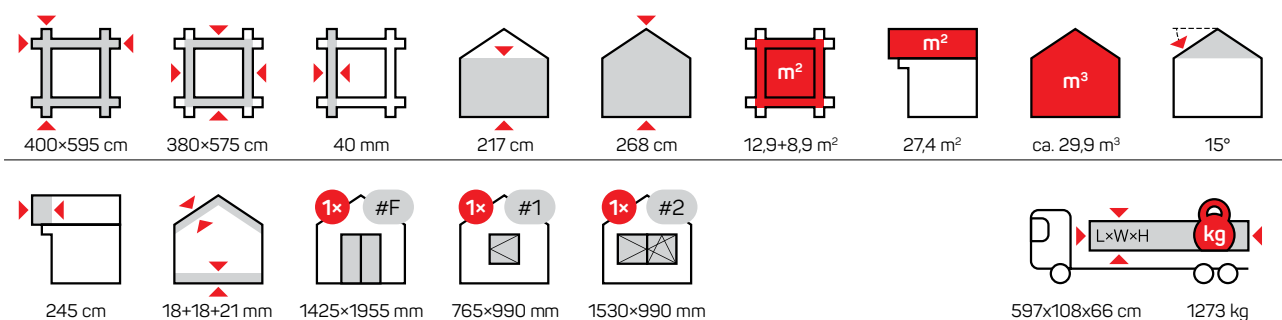
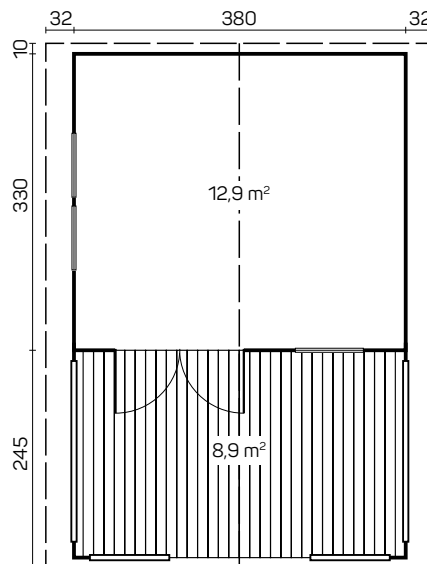


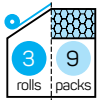
70 mm Premium



# MONTANA

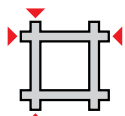
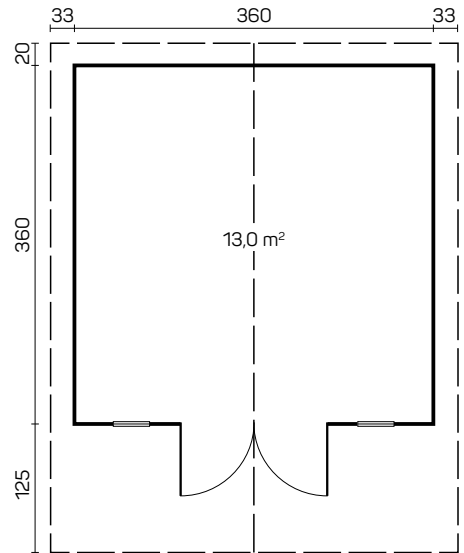
Art 122400





# CAMILLA B

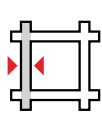
Art 122048.2



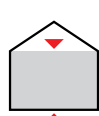
380×380 cm



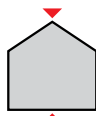
360×360 cm



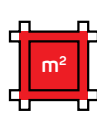
40 mm



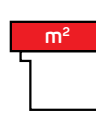
205 cm



257 cm



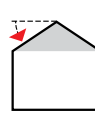
13 m<sup>2</sup>



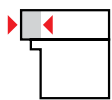
22,22 m<sup>2</sup>



ca. 28,6 m<sup>3</sup>



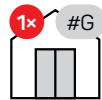
16°



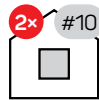
125 cm



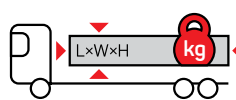
18+18 mm



1425×1955 mm



515×1890 mm



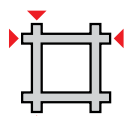
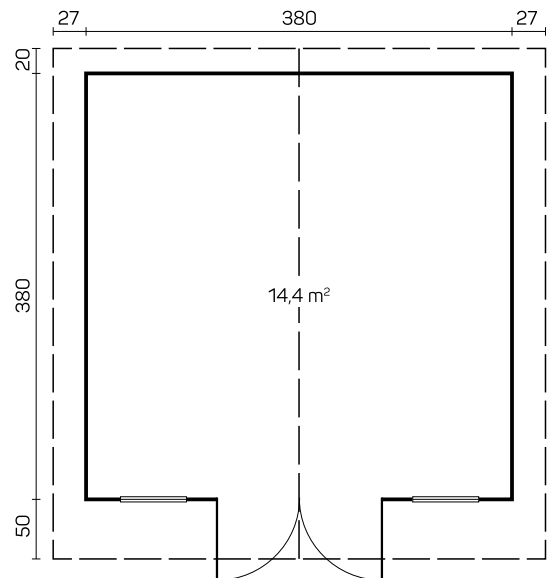
505×108×66 cm

1328 kg



# AINO

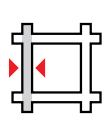
Art 122060



400×400 cm



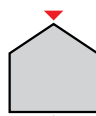
380×380 cm



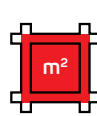
40 mm



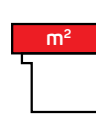
205 cm



257 cm



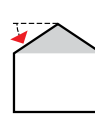
14,4 m<sup>2</sup>



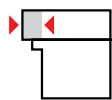
20,4 m<sup>2</sup>



31,6 m<sup>3</sup>



15°



50 cm



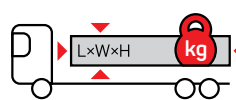
18+18 mm



1425×1955 mm



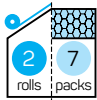
585×1100 mm



450×108×64 cm

1071 kg

**Standard +**

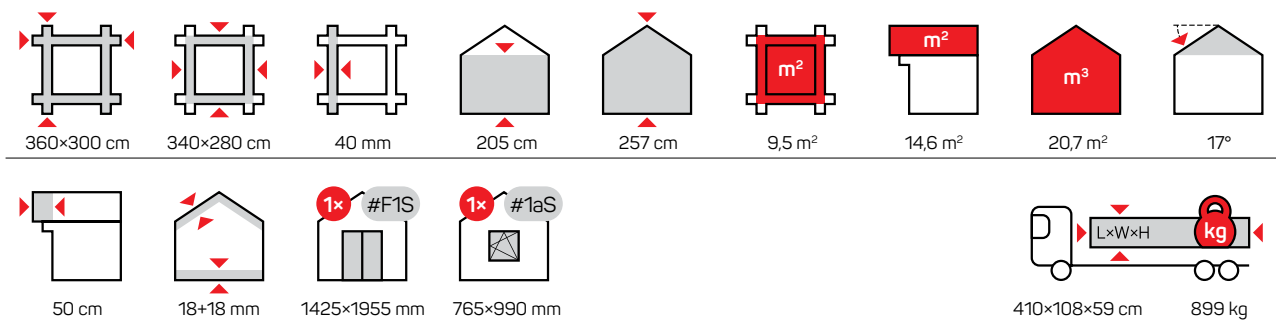
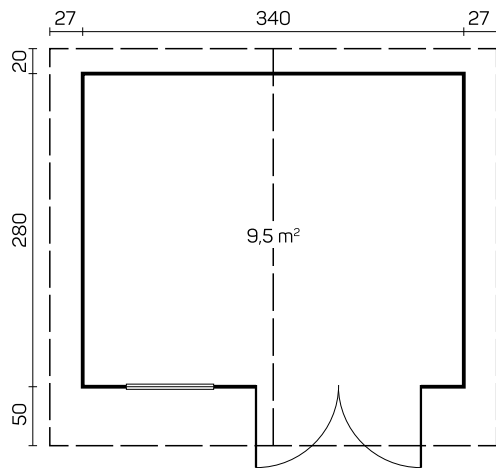


# MATTI

Art 122063



**Standard +**

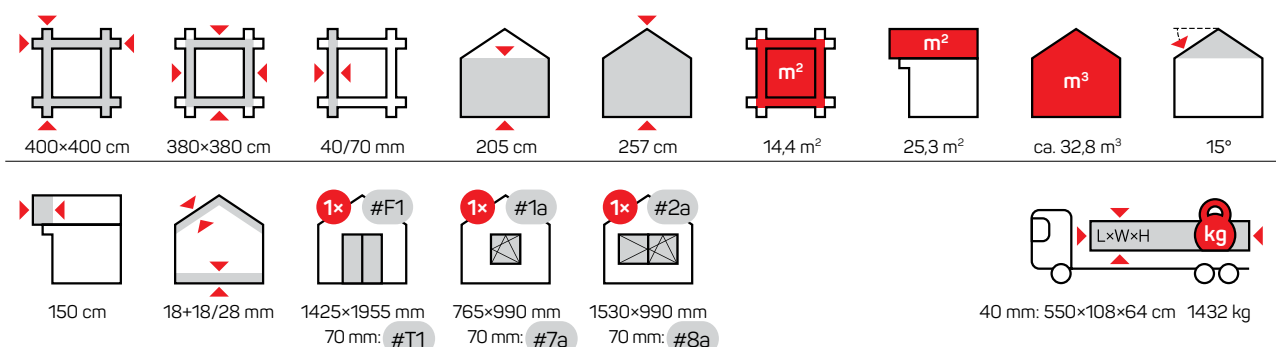
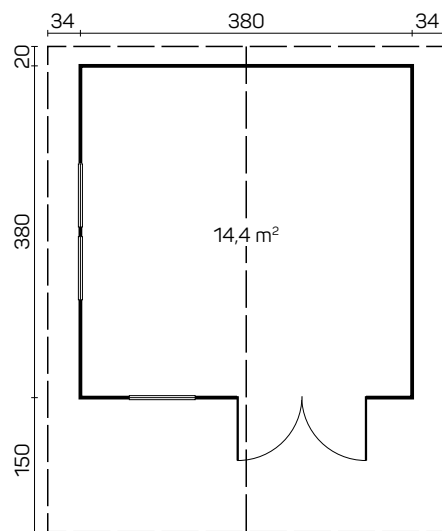


# ENZO B

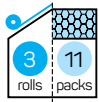
Art 122088.2/111083/111135



**70 mm Premium**

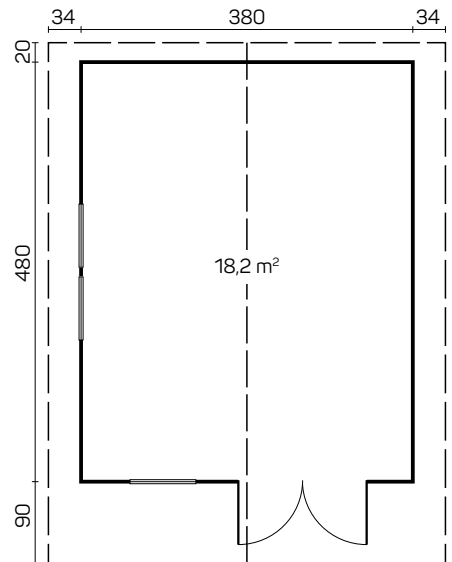




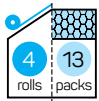
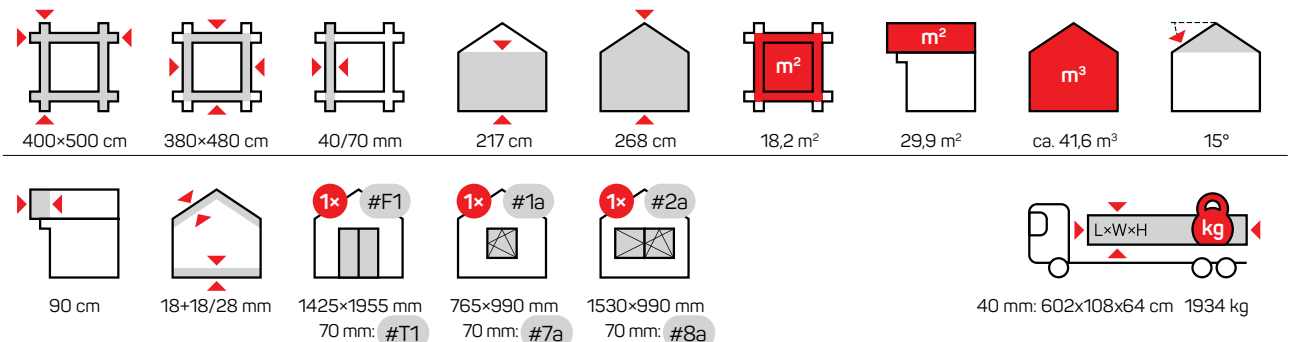


# ENZO C/1

Art 122089.2/111084/111136

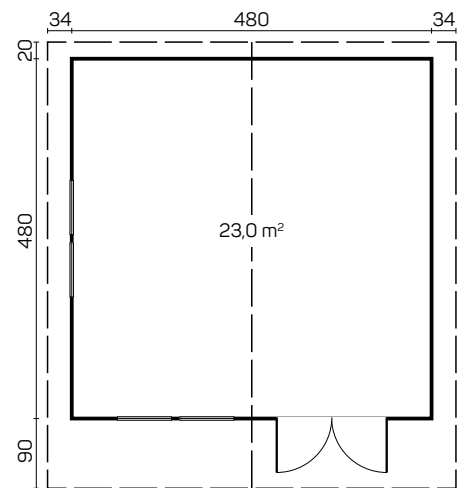


70 mm Premium

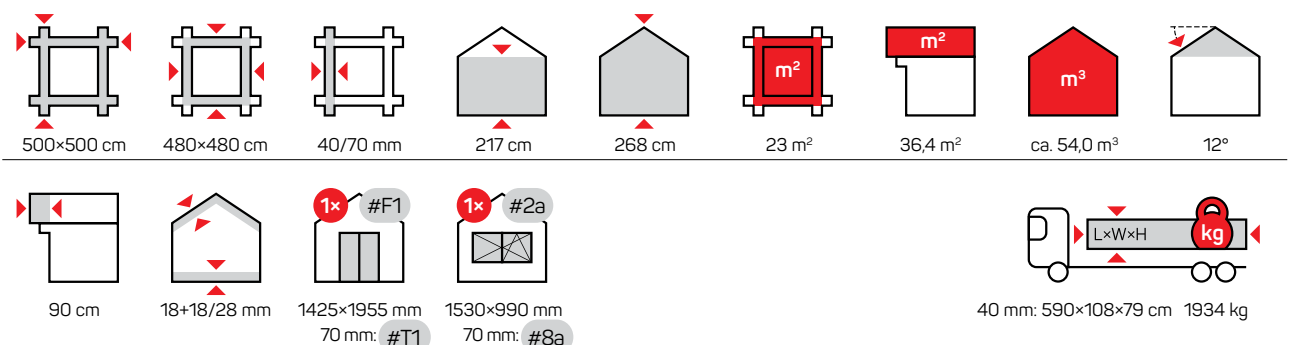


# ENZO D

Art 122091.2/111086/111138



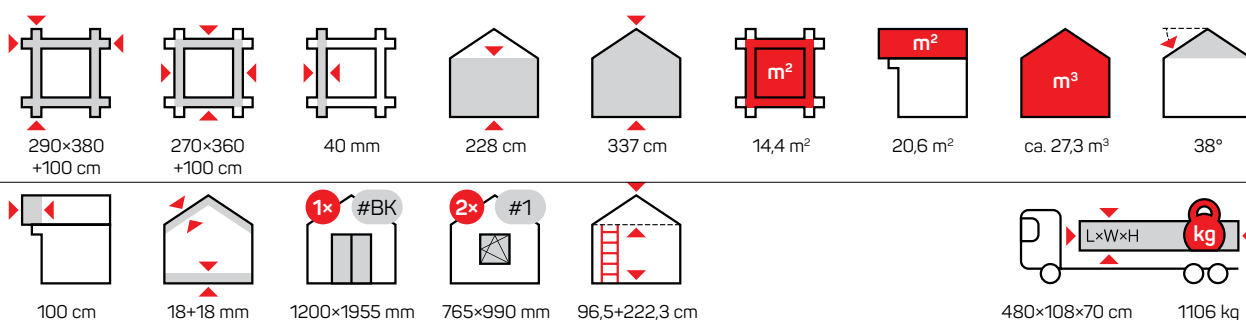
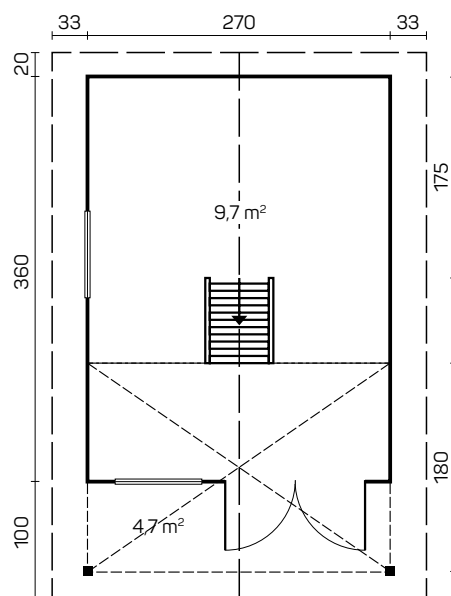
70 mm Premium





# BUNKIE

Art 122800.2



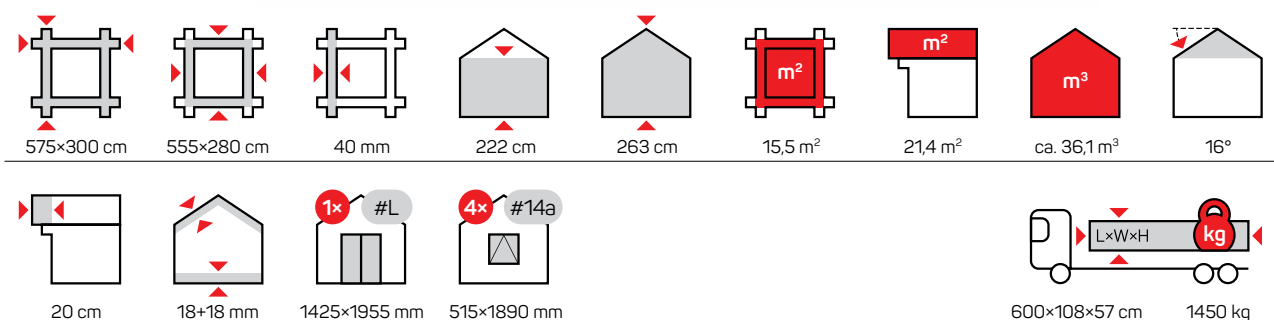
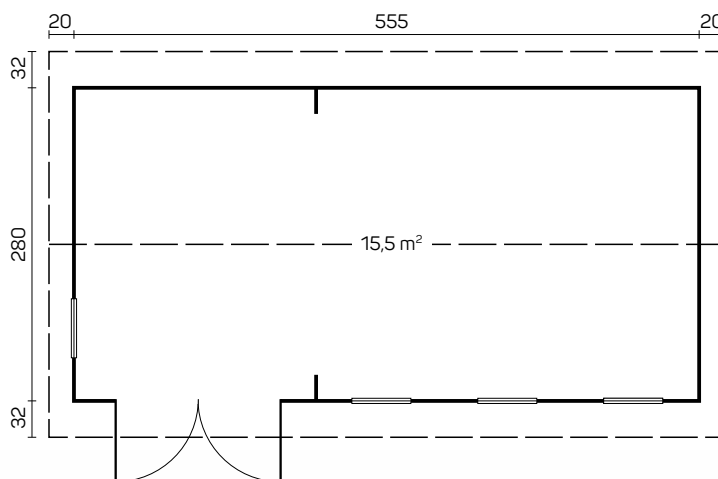


# NICE

Art 122394.2



**Standard +**



# Premium

## WINDOWS



Wood Species / Holzart	Spruce / Fichte
Wall thickness / Wandstärke	70 mm
Glazing / Glas	3+18+3 mm
Silicone gasket / Gummidichtung	Yes
Water gutter / Wasserschenkel	Aluminium
Window opening / Öffnungssystem	Tilt & Turn / Dreh-Kipp

## DOORS



Wood Species / Holzart	Spruce / Fichte
Wall thickness / Wandstärke	70 mm
Laminated wood / Leimholz	Yes / Inklusive
Glazing / Glas	3+6+3 mm
Silicone gasket / Gummidichtung	Yes
Door threshold / Türschwelle	Stainless steel / Edelstahl-Türschwelle
Locking system / Schloss	Cylinder / Profilzylinder schloss

# Premium details



Wall logs 70 mm  
Wandbohlen 70 mm  
Tablas de pared 70 mm  
Tábuas de parede 70mm  
Madriers de murs 70 mm  
Perline per parete 70mm  
Houtdikte 70 mm  
Ściana z bala 70mm  
Стеновые балки 70 мм  
Panel kalasları 70 mm



Impregnated foundation beams  
Imprägnierte Fundamenthölzer  
Perfiles tratados en autoclave verde  
Perfil de tratamiento autoclave verde  
Solivage traité autoclave  
Basamento travi impregnato  
in autoclave  
Geimpregneerd funderingshout  
Impregnowane ciśnieniowo podwaliny  
Пропитанные фундаментные балки  
Emprenye temel/destek kirişleri



Drilled in threaded  
rod for wind safety  
Eingeborte Gewindestange  
En las esquinas varillas de rosca  
Barras de Refuerzo  
(Parafusos Sem Cabeça)  
Tiges filetes anti-tempete  
Barra filettata per foratura  
Draadeinden in de wand verwerkt  
Засверленная резьбовая шпилька  
для ветрозащиты  
Rüzgara karşı güvenlik için  
dişli çubuk üzerine delme



Roof pitch  
Dachneigung  
Encajes perfectos  
Encaixes perfeitos  
Assemblage parfaitement ajusté double  
entailage étanchéité parfaite  
Pendenza tetto  
Dakhelling  
Kaç nachylenia dachu  
Свод крыши  
Çatı eğimi



Floor boards 28 mm  
Fußbodenbretter 28 mm  
Machihembrado del suelo 28 mm  
Tábuas do Chão 28mm  
Lames de plancher 28 mm  
Tavole per pavimento 28mm  
Vloerplanken  
Podłoga 28mm  
Половая доска 28 мм  
Zemin panoları 28 mm



Cylinder-locks  
PZ-Schloss  
Cerradura-bombín  
Fechadura cilíndrica  
Porte avec serrure à clé normes  
européennes  
Chiusura cilindrica  
Cylinder slot  
Zamek cylindryczny  
Цилиндрические врезные замки  
Silindir kilitler



Laminated wood for door  
Türen aus Leimholz  
Las puertas en madera laminada  
Portas em Madeira laminada  
Porte en lamellé collé  
Porte in legno lamellare  
Gelamineerde deuren  
Drzwi z drewna klejonego  
Ламинированная древесина  
для дверей  
Kapı için lamine ahşap



Floor and roof boards 18 mm  
Fußboden- und Dachbrett 18mm  
Tablas de techo y suelo 18mm  
Tábuas de telhado y chão 18mm  
Lames de plancher 18 mm  
Tavole per pavimento e tetto 18mm  
Vloer en dakbeplanking 18 mm  
Deska podłogowa i dachowa 18mm  
Половая и кровельная доска 18 мм  
Zemin ve çatı panosu 18 mm



Hardware kit  
Beschlagbeutel  
Todos los herrajes  
(manivelas, clavos, tornillos)  
Ferragens  
Kit de quincaillerie complet  
Ferramenta  
Bevestigingsmaterialen  
Zestaw okuć  
Набор фурнитуры для сборки  
Montaj kiti



Stainless steel threshold  
Edelstahl-Türschwelle  
Franja de umbral de la puerta  
con lámina de acero inoxidable  
Faixa de entrada coberto  
com chapa de aço inoxidável  
Seuil de porte arasant avec  
plancher habillé inox  
Soglia del portone in inox  
RVS dorpel  
Próg drzwi ze stali nierdzewnej  
Дверной порог с планкой  
из нержавеющей стали  
Paslanmaz çelik kapı eşiği

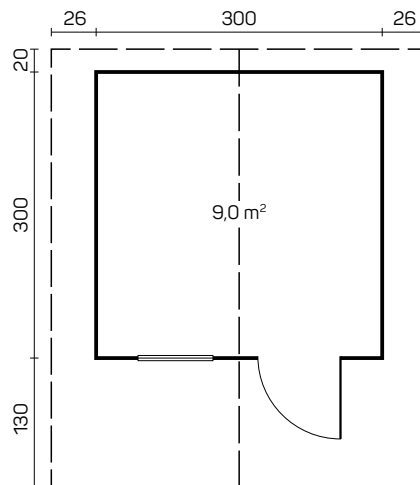


Tongue and groove roof boards 18mm  
Profilierte Dachbretter 18 mm  
Tablones 18 mm para techos  
Tábuas de 18mm para telhado  
Sous toiture (volige) 18 mm  
Tavole profilate per tetto 18mm  
Geprofileerde dakplanken 18 mm  
Profilowana deska dachowa 18mm  
Фасонные потолочные доски 18 мм  
Profilli çatı panoları 18 mm

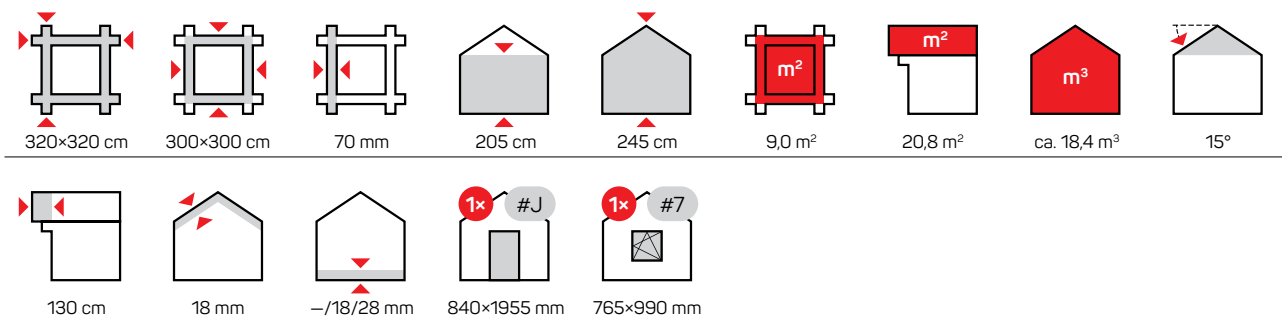


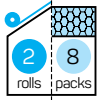
# HUELVA

Art 111133



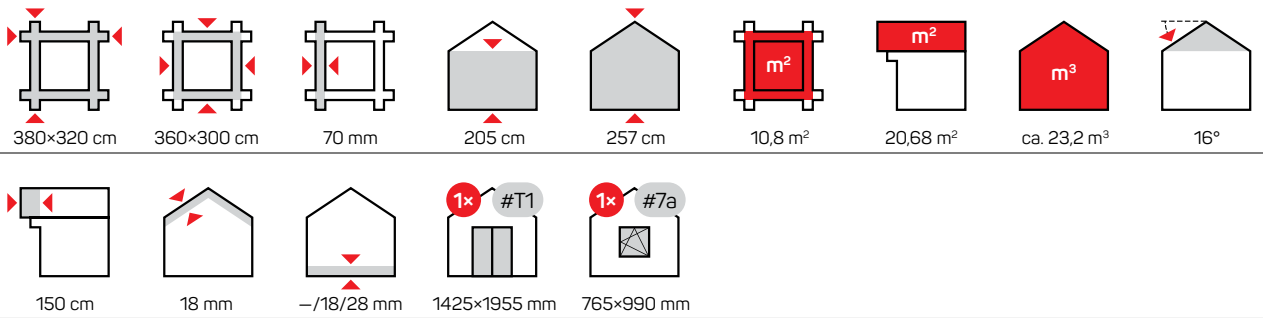
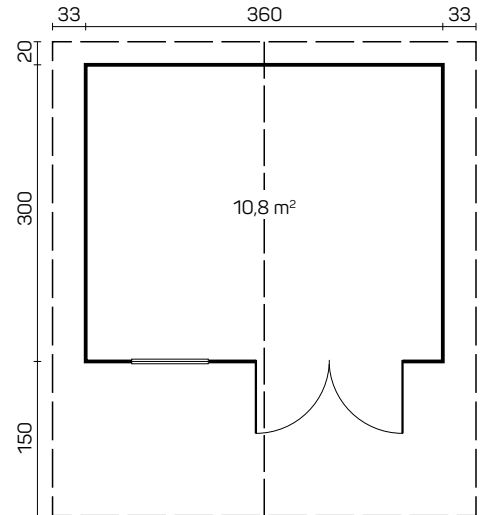
Premium





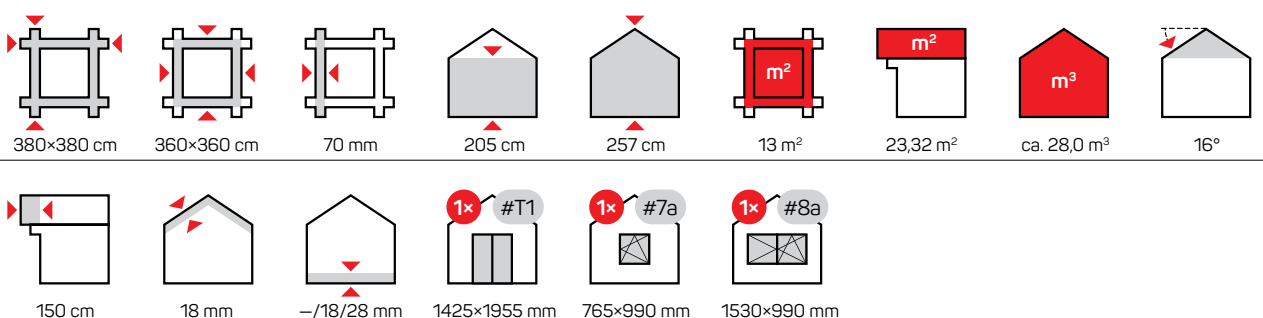
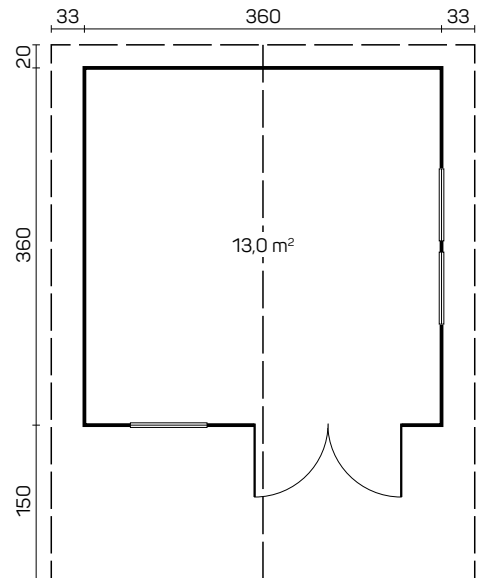
# MALAGA A

Art 111073

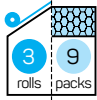


# MALAGA B

Art 111074



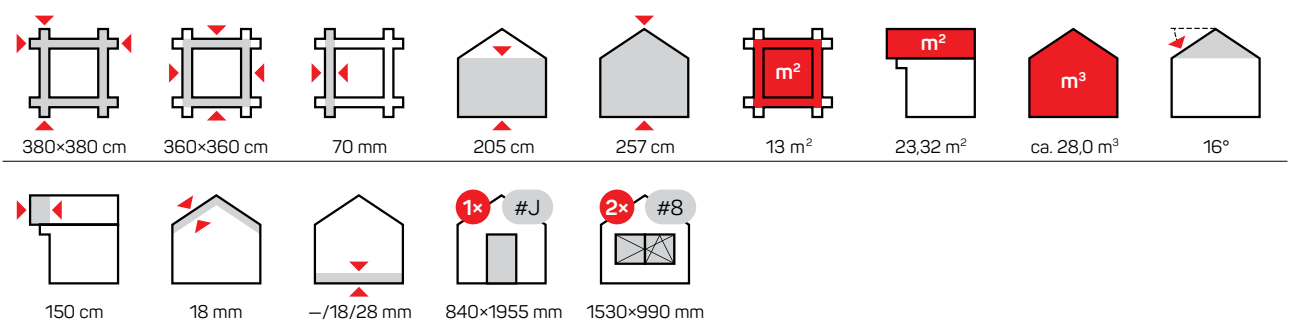
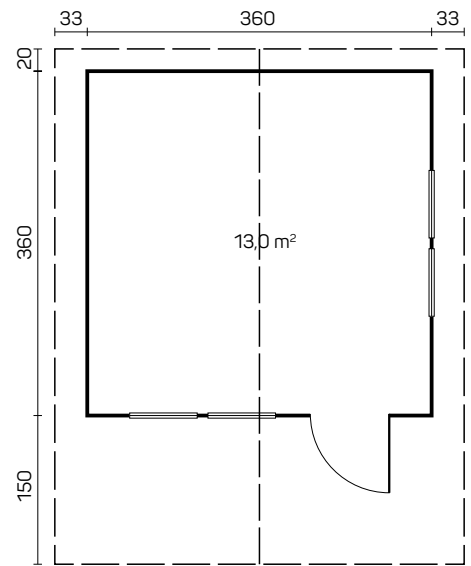




# SEVILLA

Art 111134

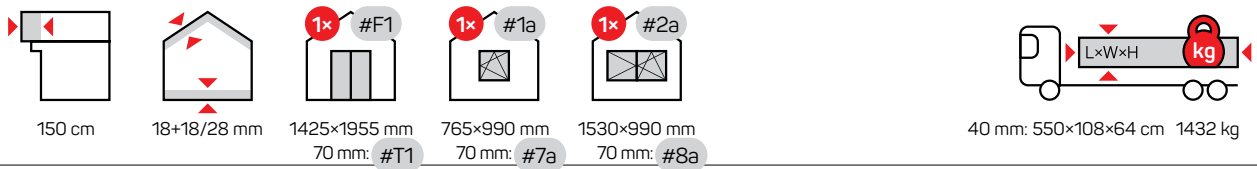
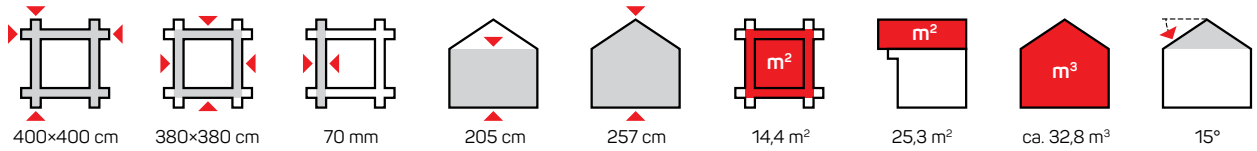
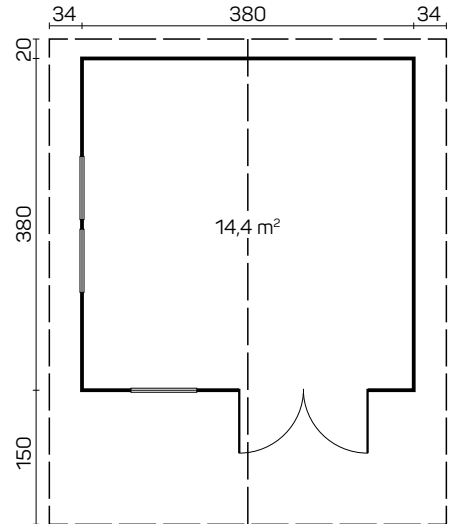
Premium





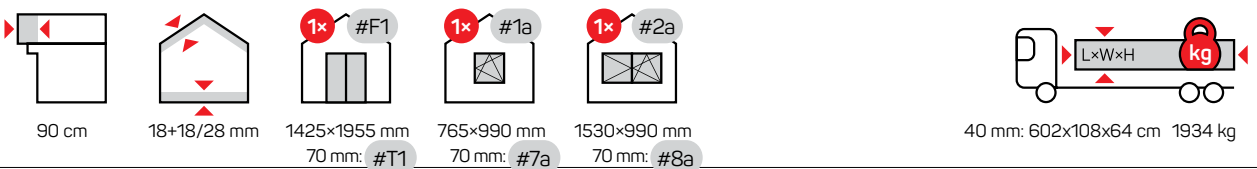
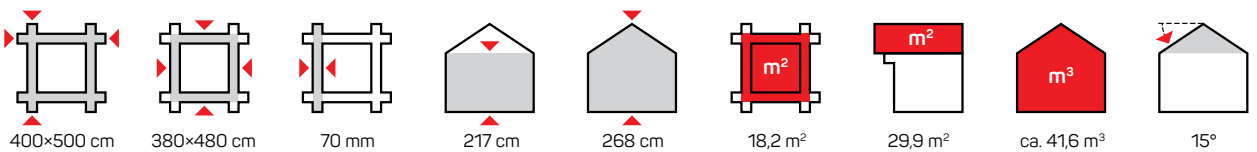
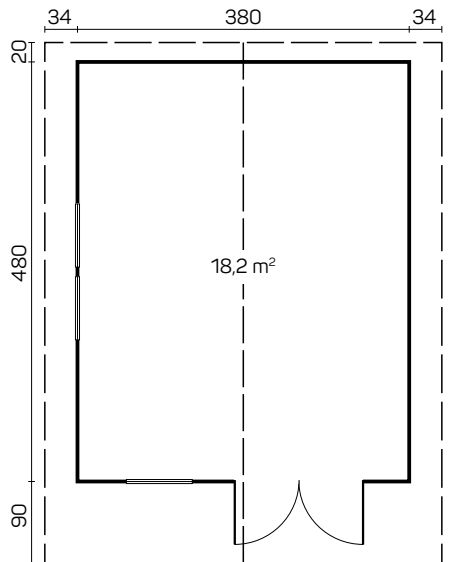
# ENZO B

Art 111135



# ENZO C/1

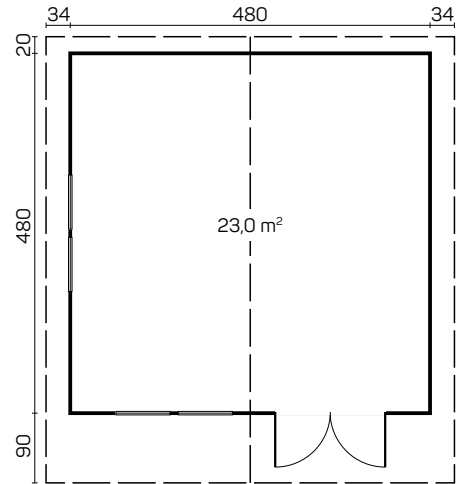
Art 111136



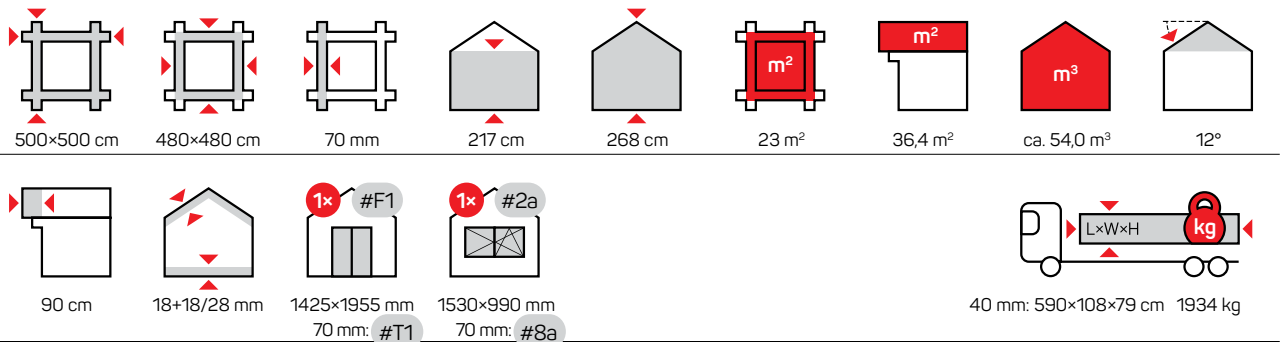


# ENZO D

Art 111138

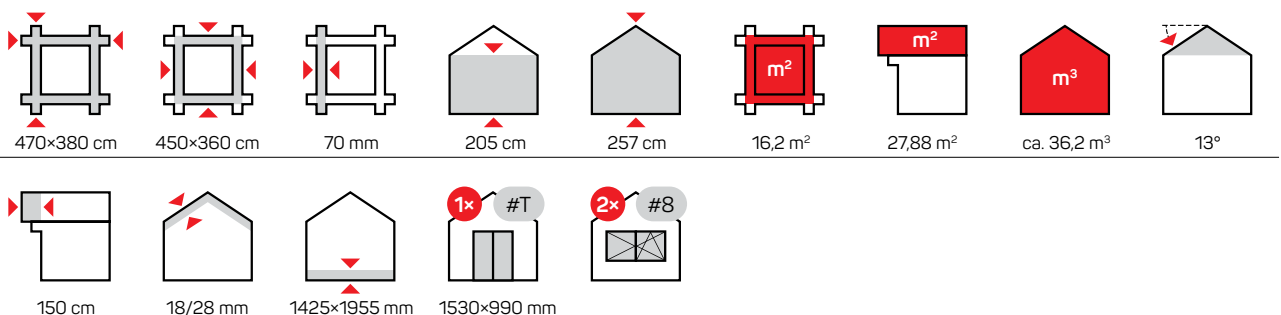
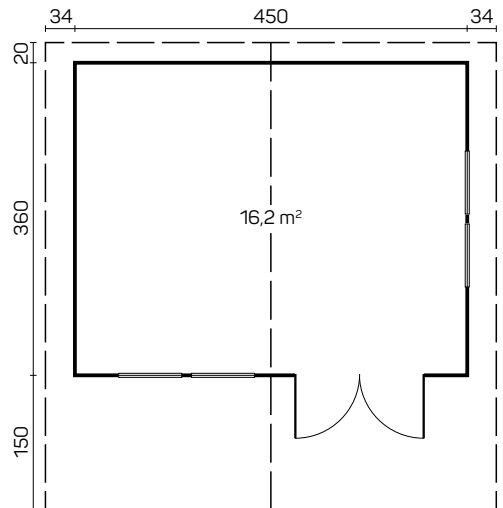


Premium



# OSLO

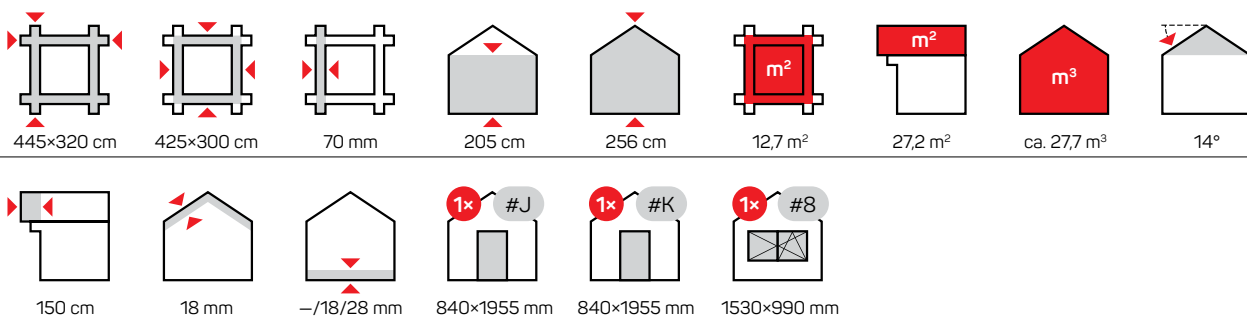
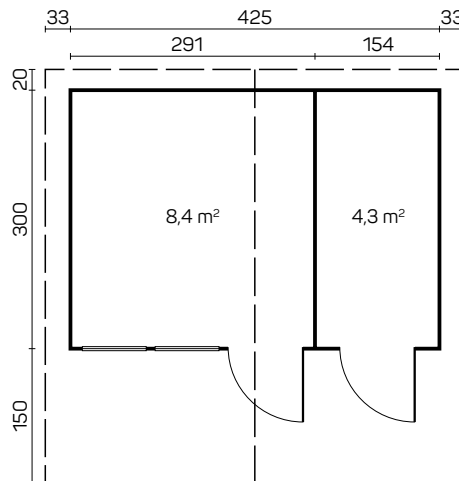
Art 111142





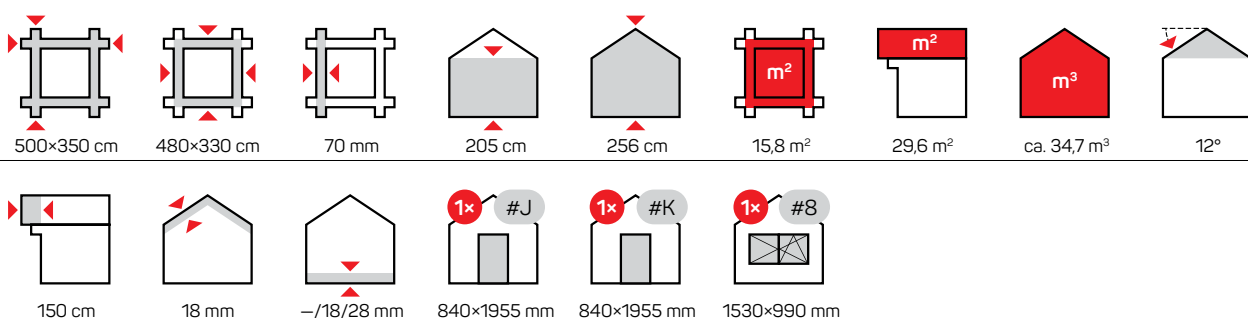
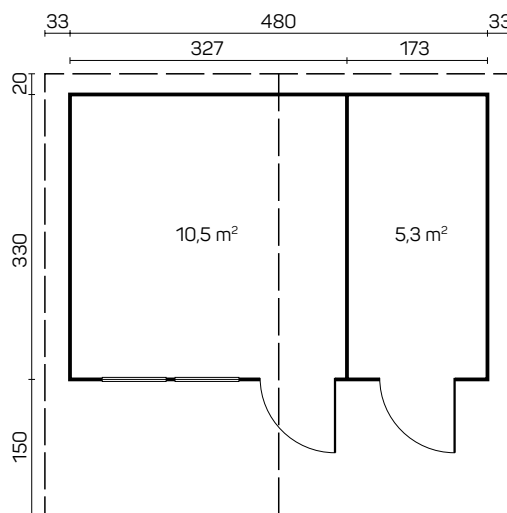
# PEDRO A

Art 111720



# PEDRO B

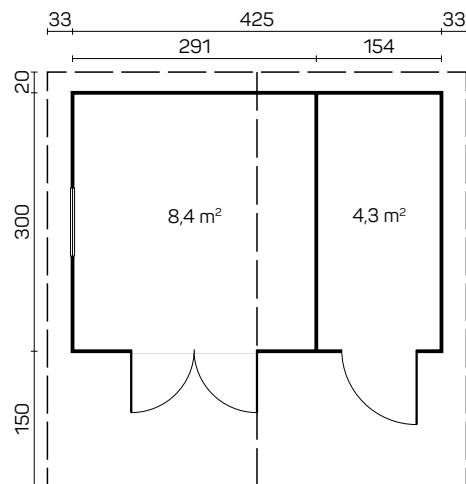
Art 111721



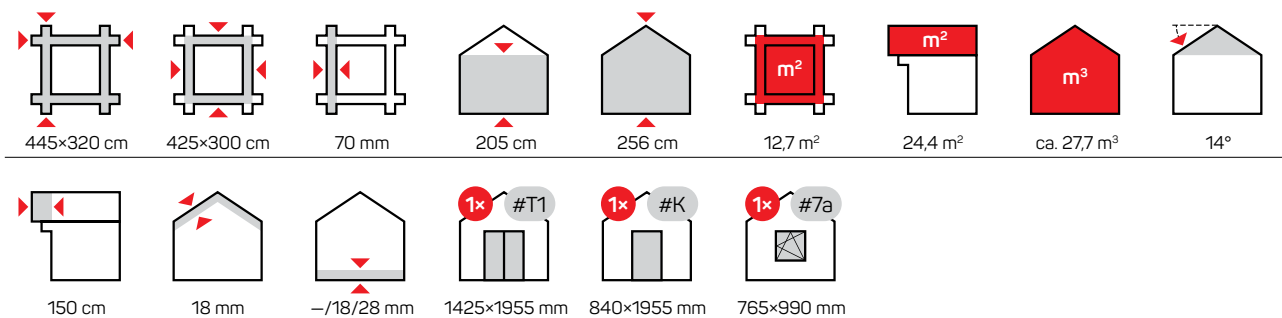


# PEDRO C

Art 111900

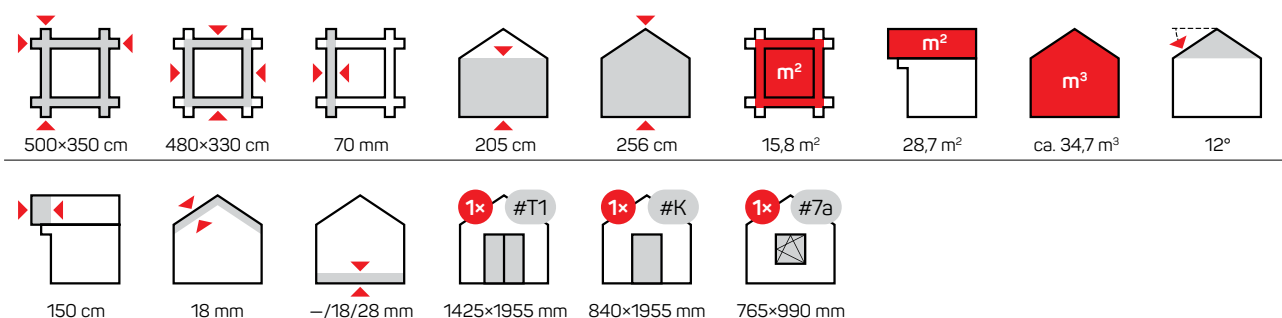
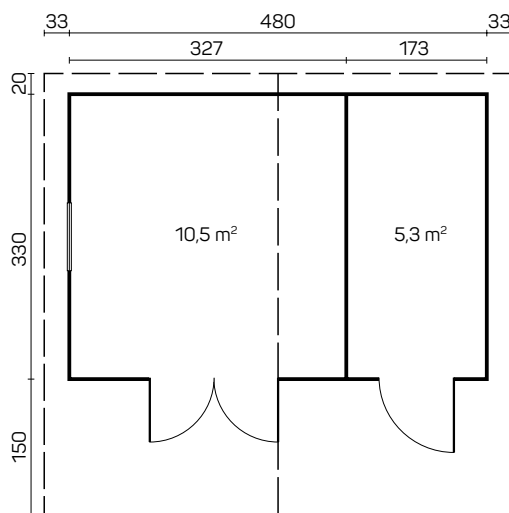


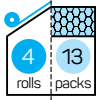
Premium



# PEDRO D

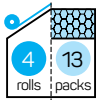
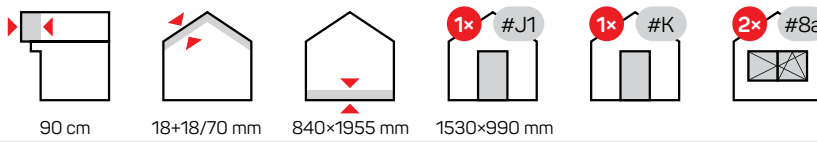
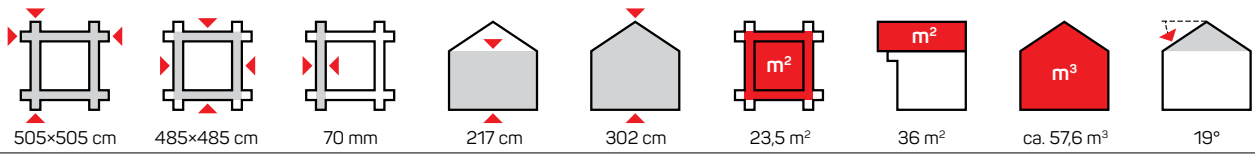
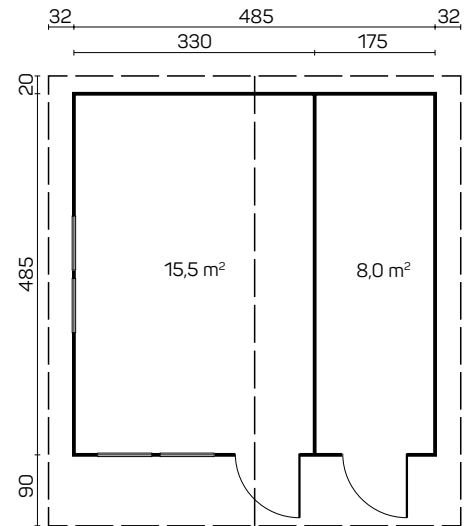
Art 111901





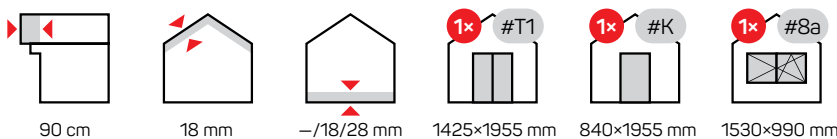
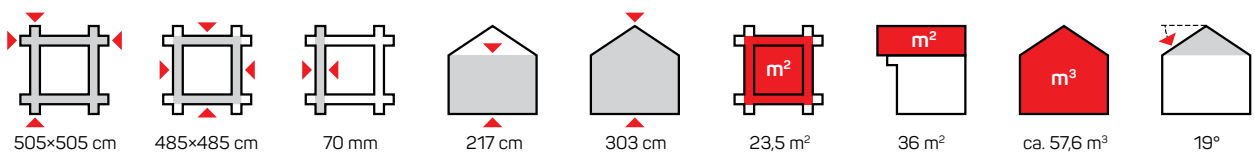
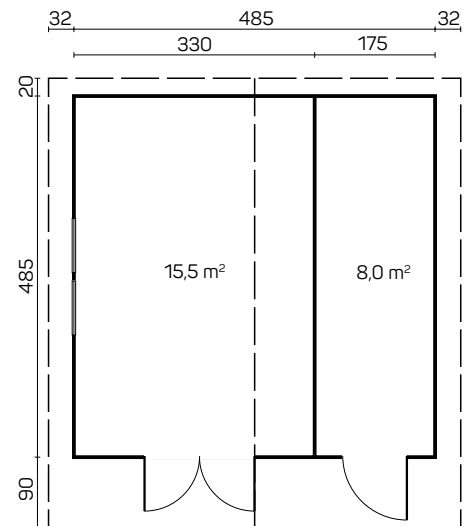
# PEDRO E

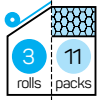
Art 111902



# PEDRO F

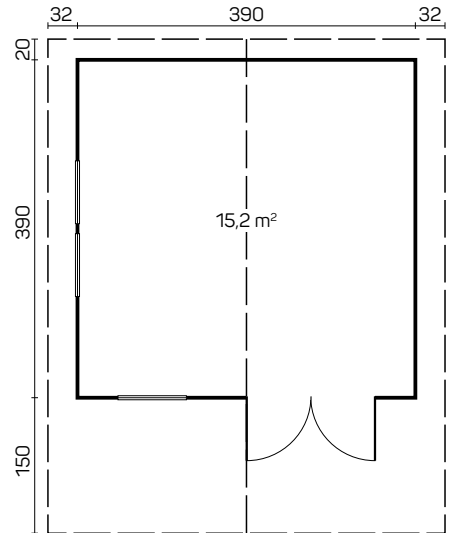
Art 111903



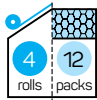
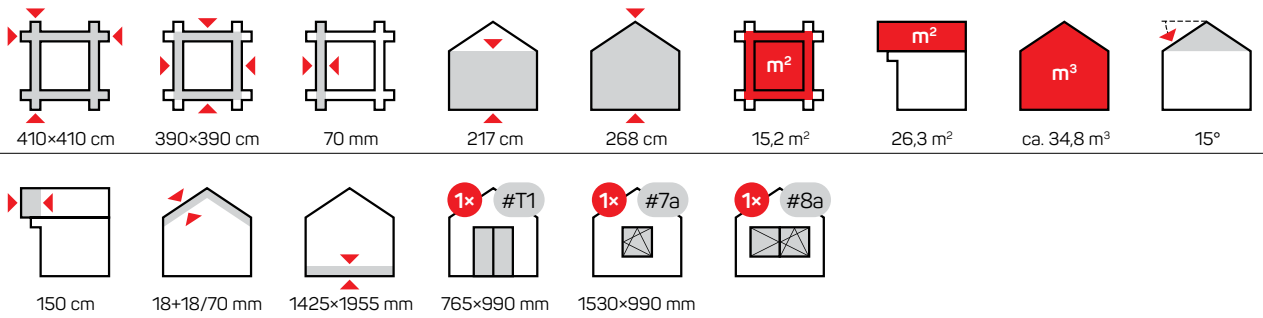


# GÖTEBORG A

Art 111735

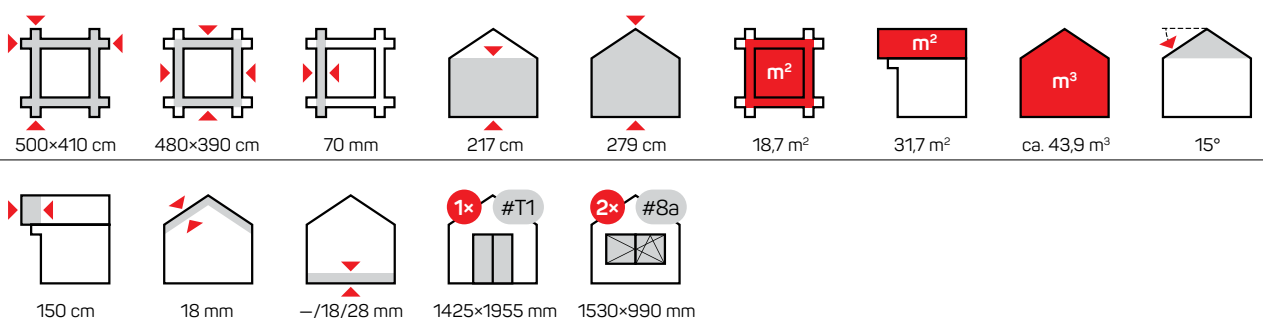
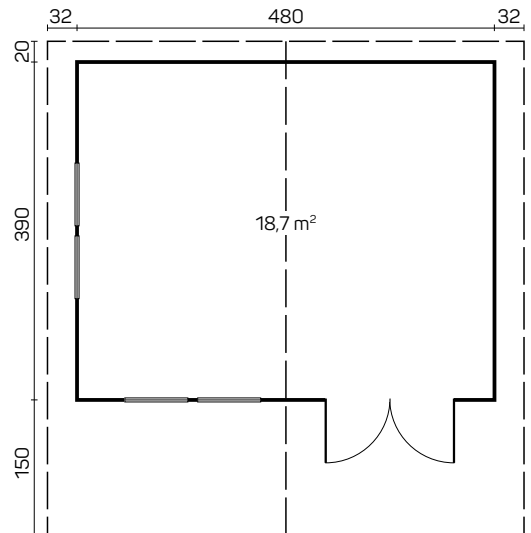


Premium



# GÖTEBORG B

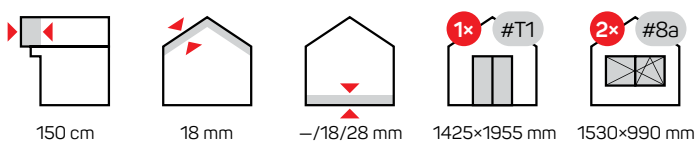
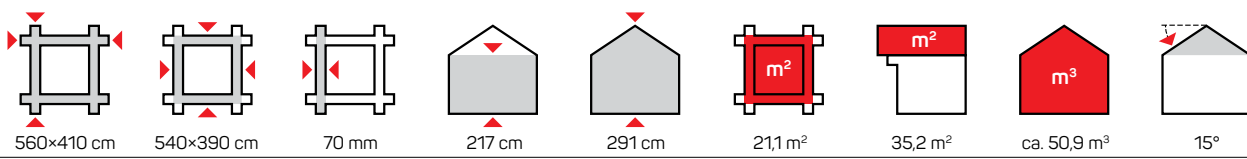
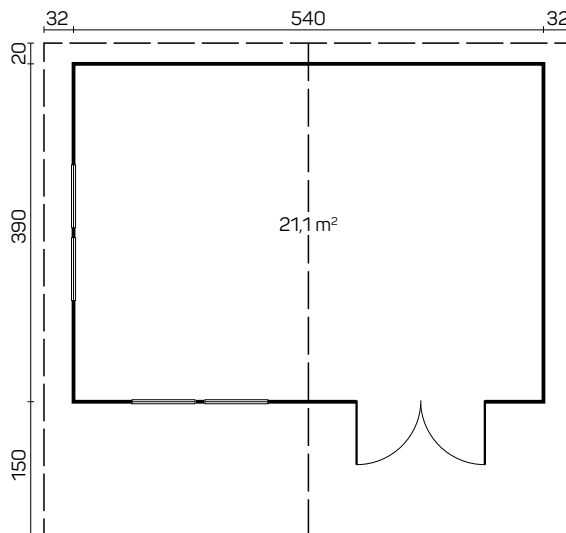
Art 111736





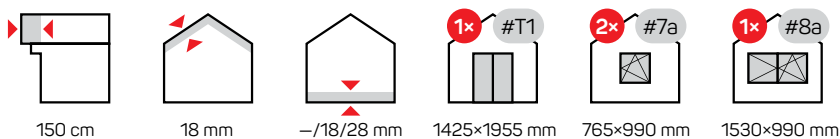
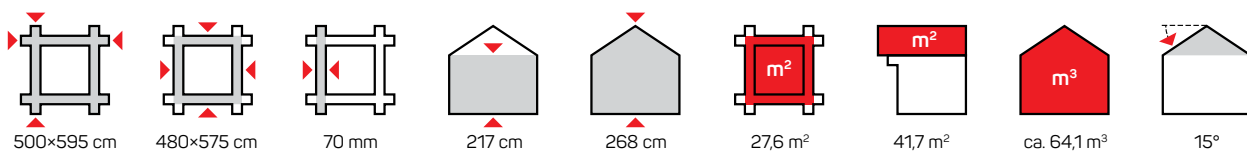
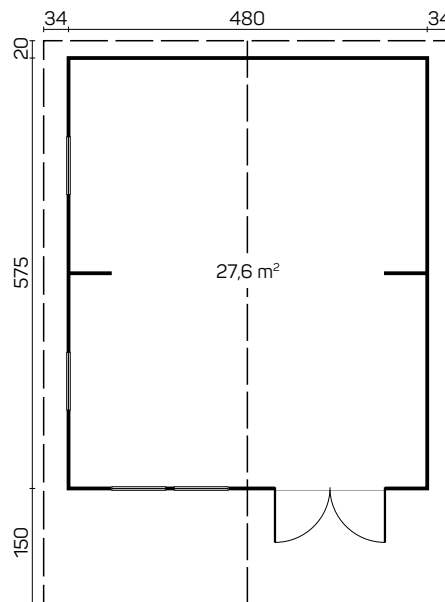
# GÖTEBORG C

Art 111737



# ENZO E

Art 111139

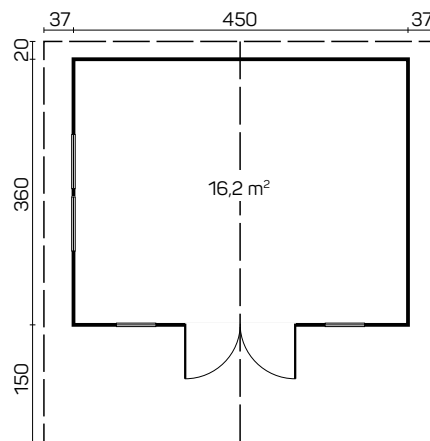




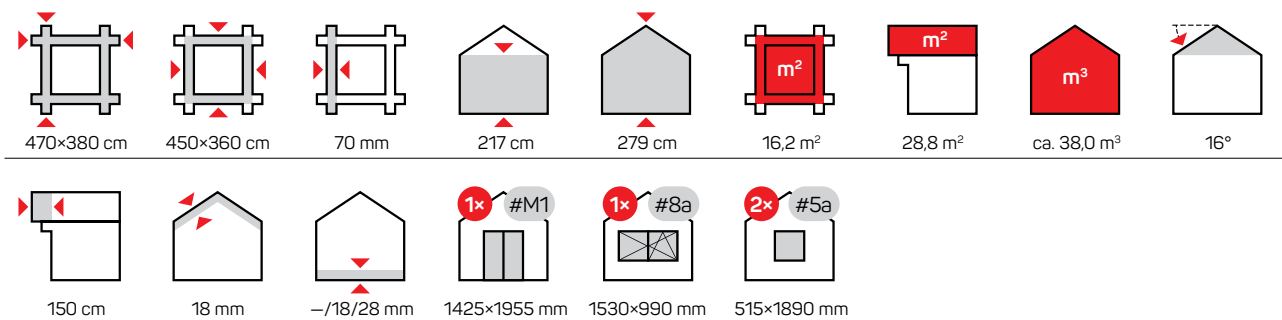


# SAUERLAND A

Art 111748

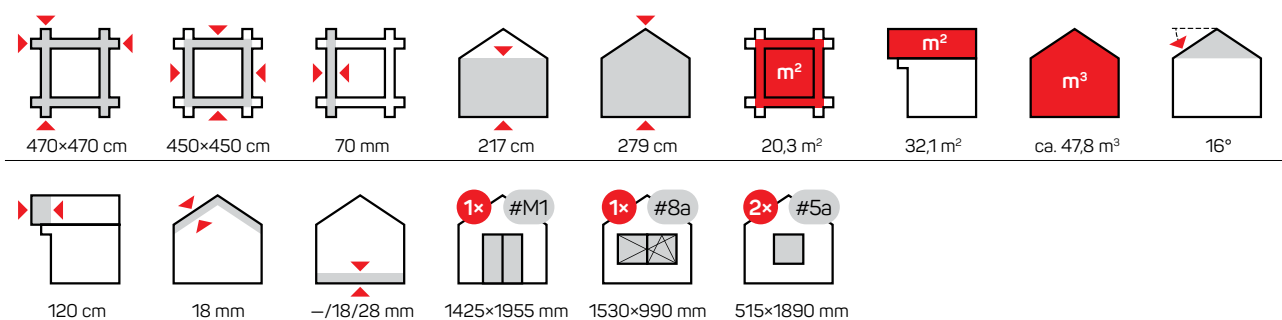
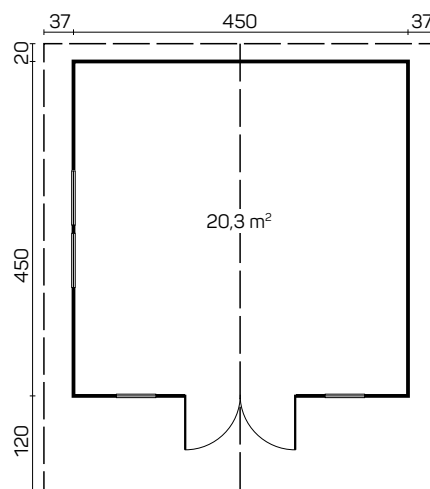


Premium



# SAUERLAND B

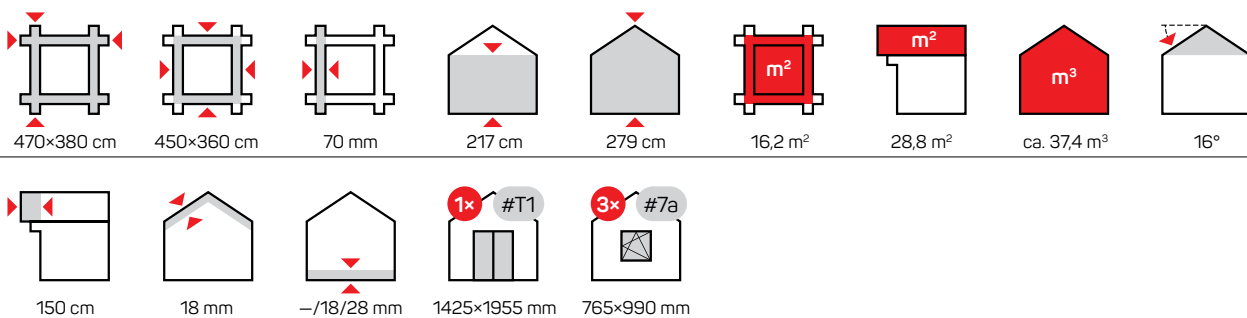
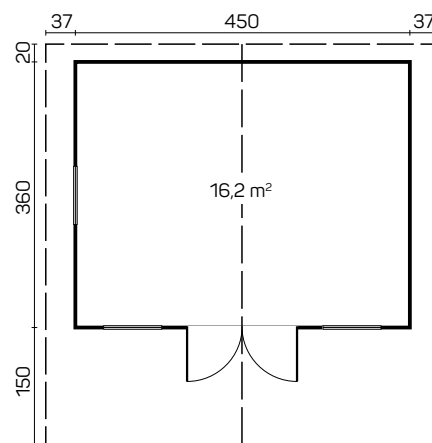
Art 111749





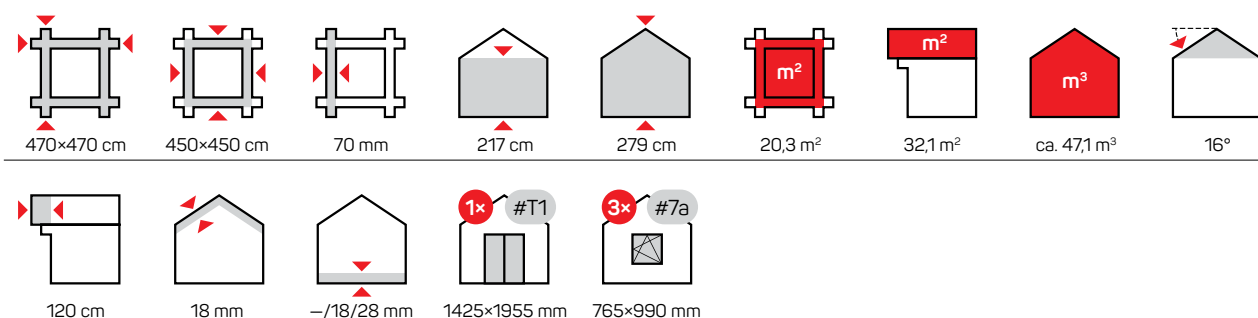
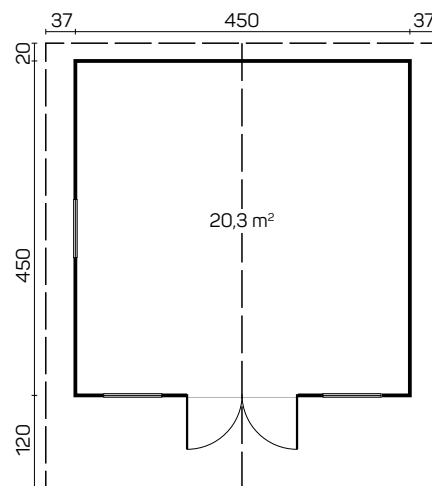
# SAUERLAND C

Art 111750



# SAUERLAND D

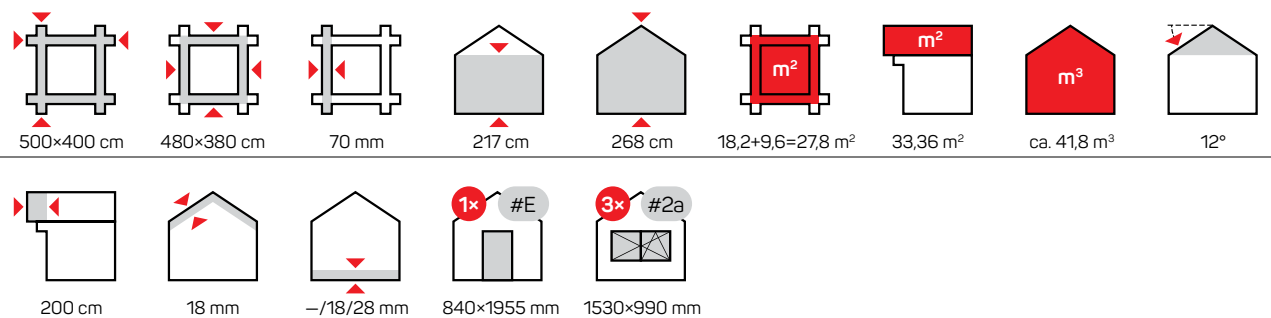
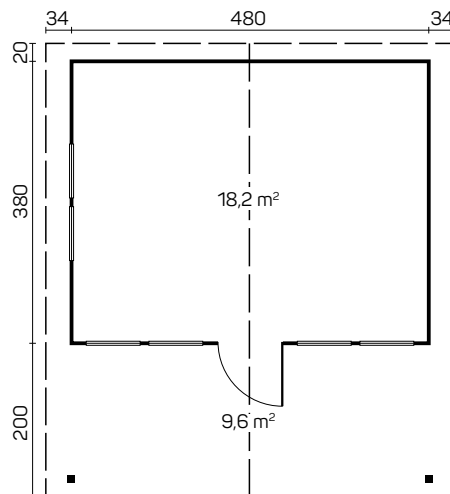
Art 111751





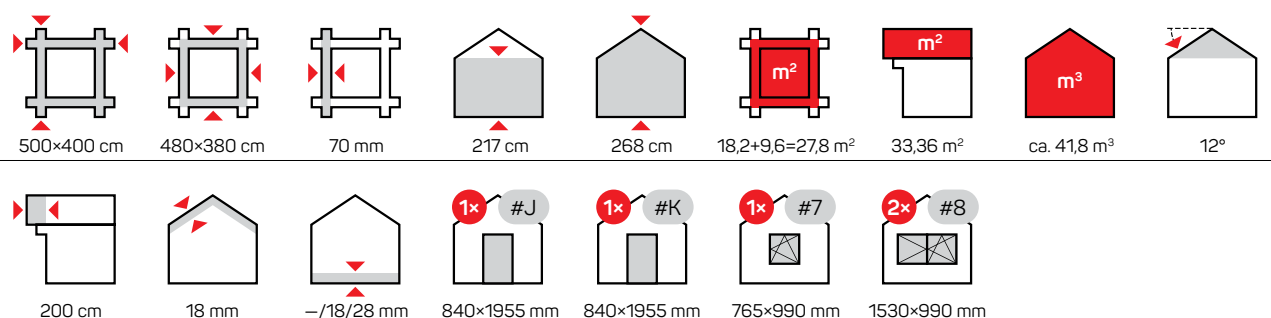
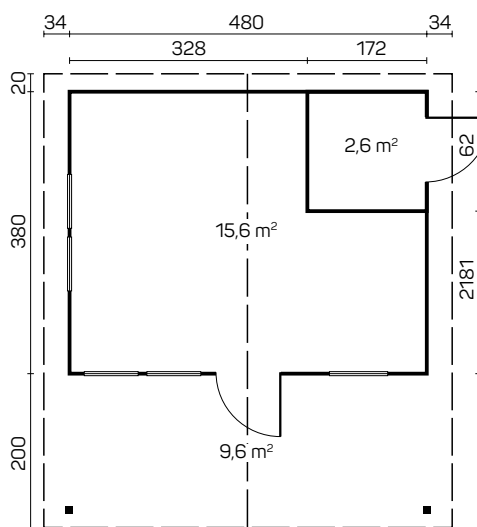
# GORBEA A

Art 111065



# GORBEA B

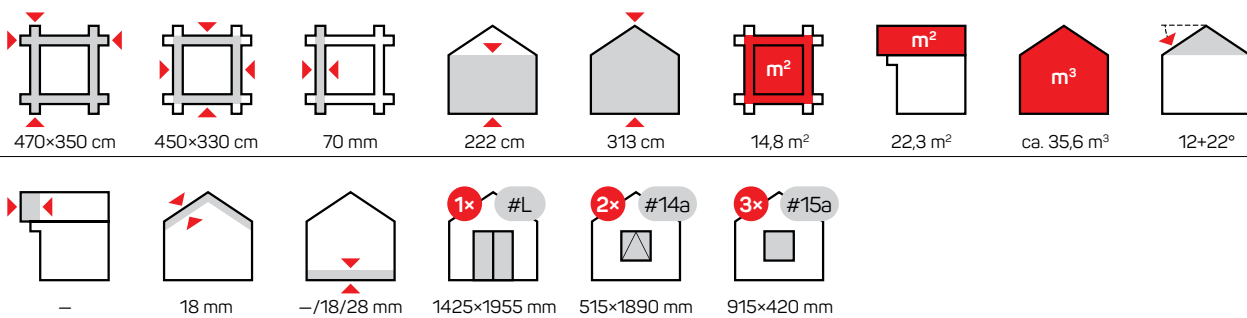
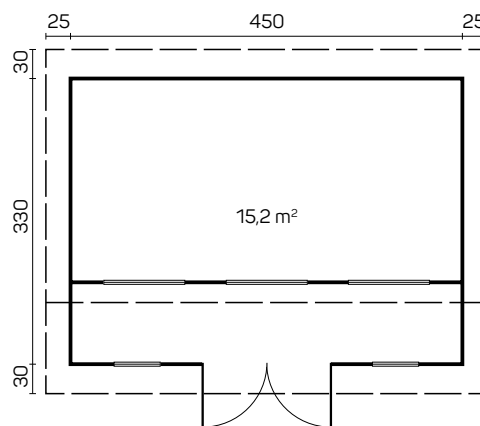
Art 111066





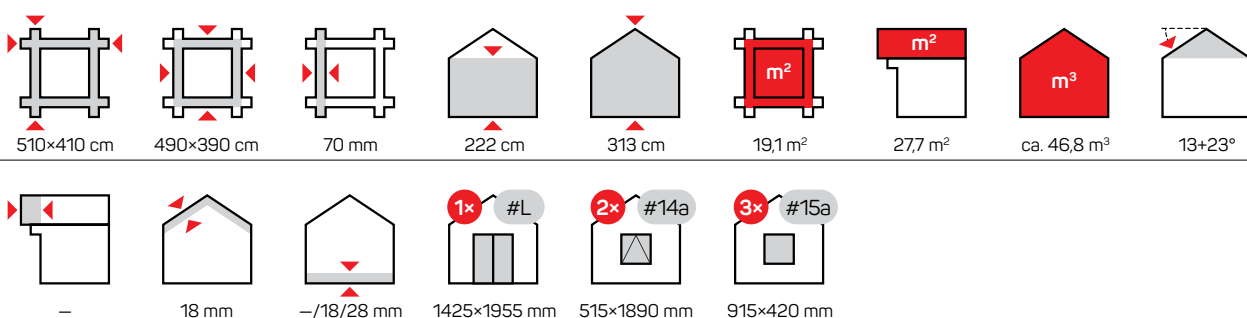
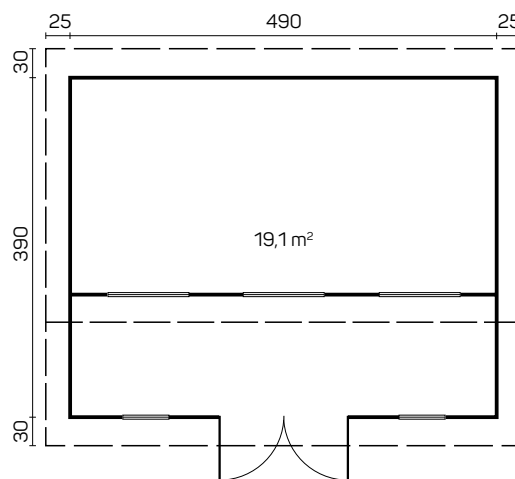
# LANGEOOG B

Art 1111428



# LANGEOOG C

Art 111429



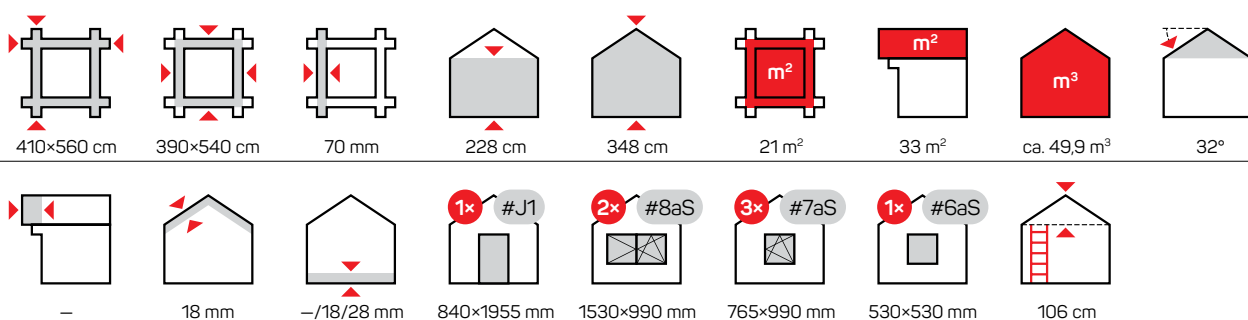
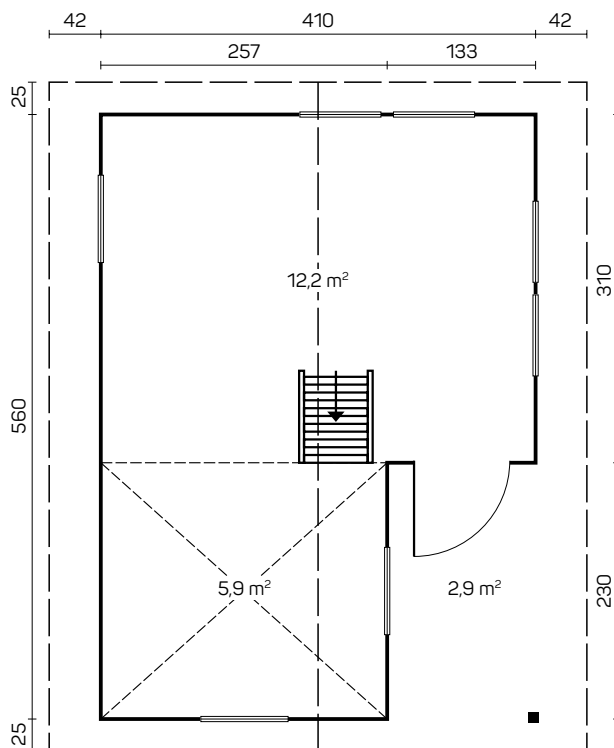


# PERTTI

Art 111959



Premium



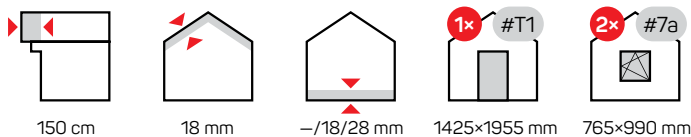
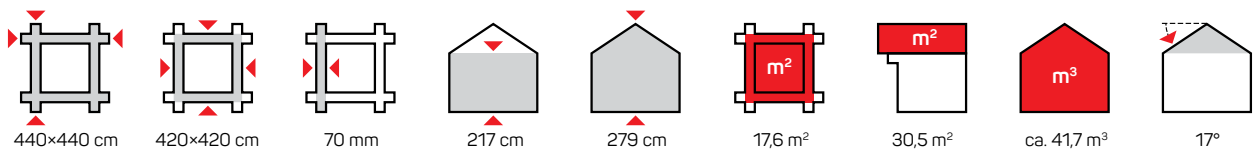
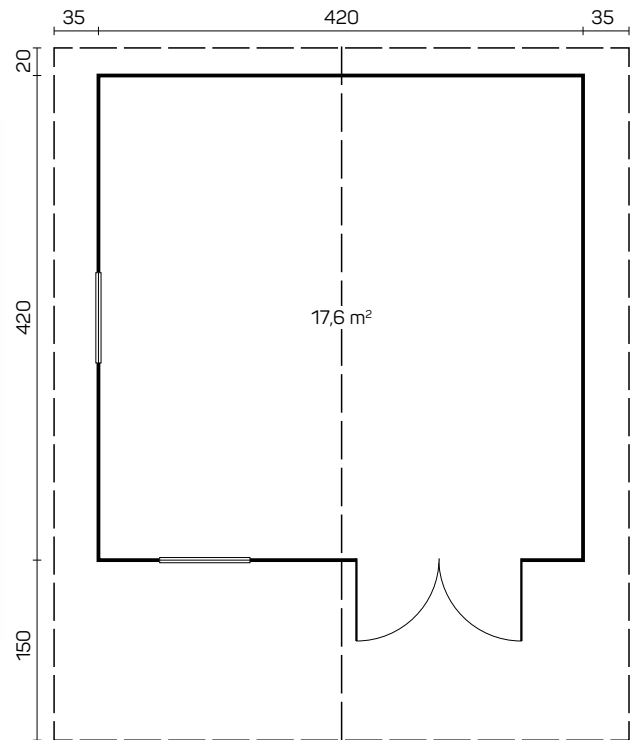


# GOTLAND A

Art 111738



Premium



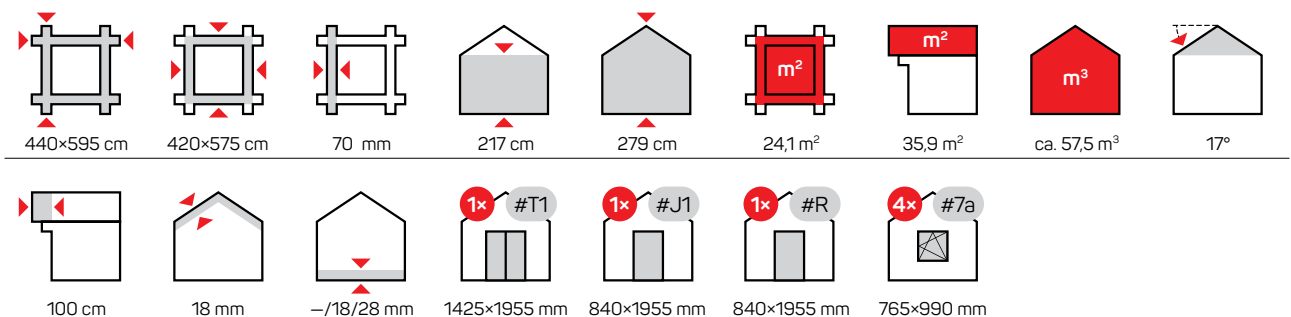
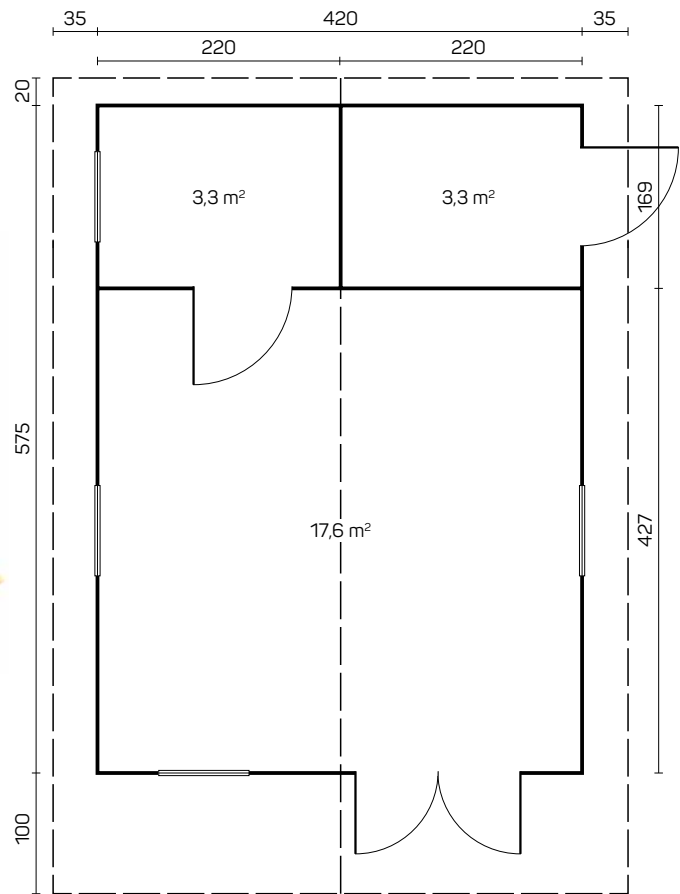


# GOTLAND B

Art 111739



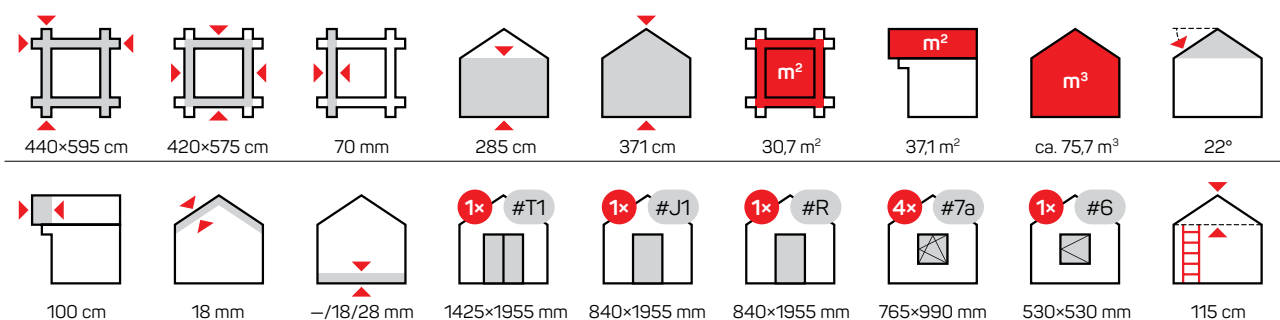
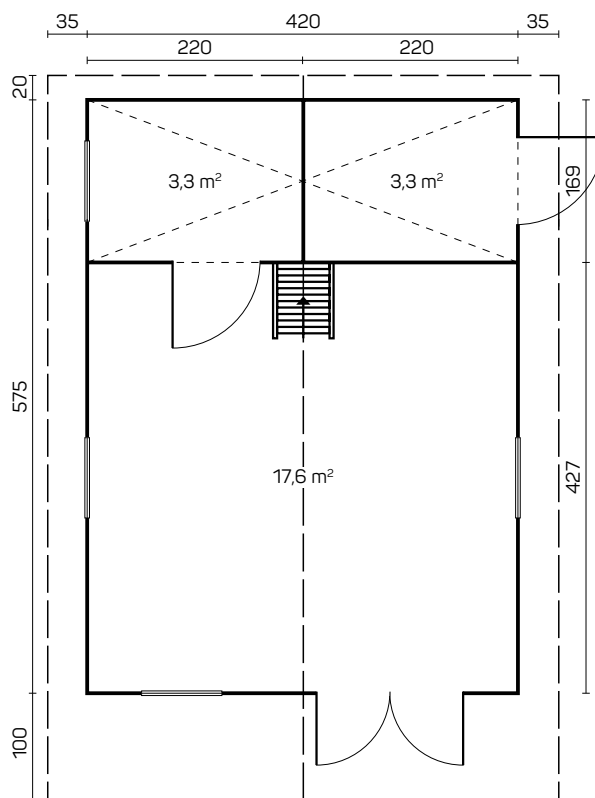
Premium





# GOTLAND C

Art 111740





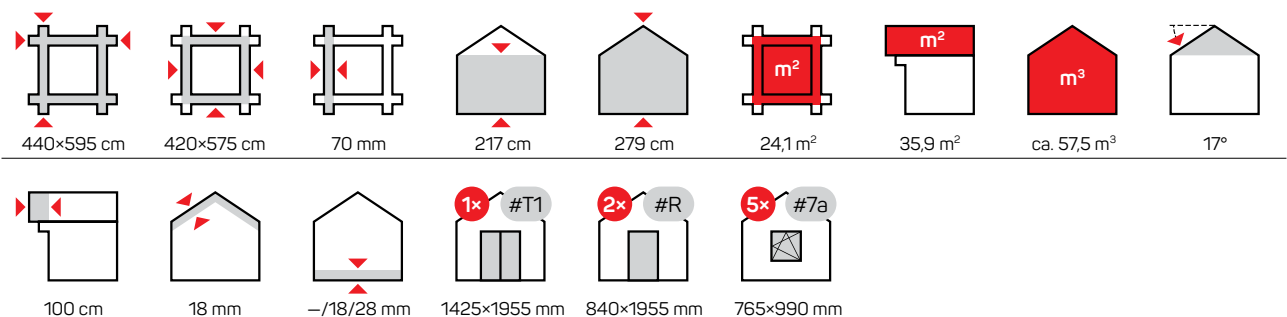
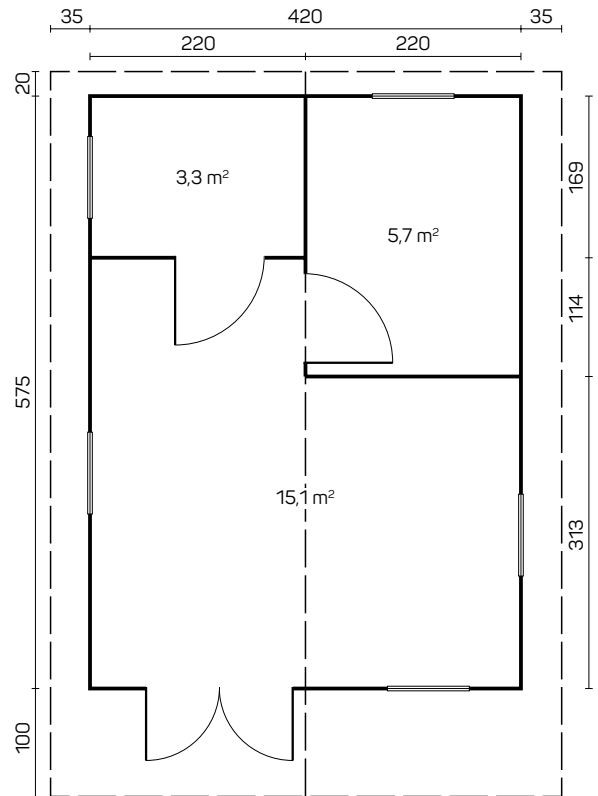


# GOTLAND D

Art 111741



Premium



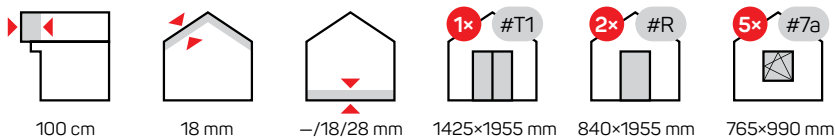
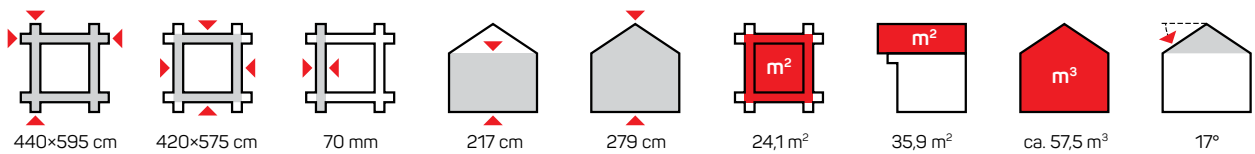
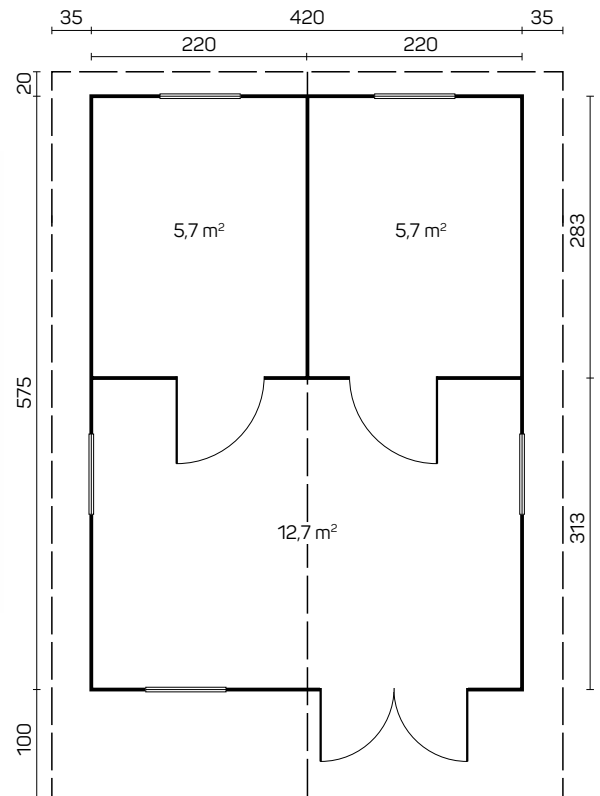


# GOTLAND E

Art 111742



Premium



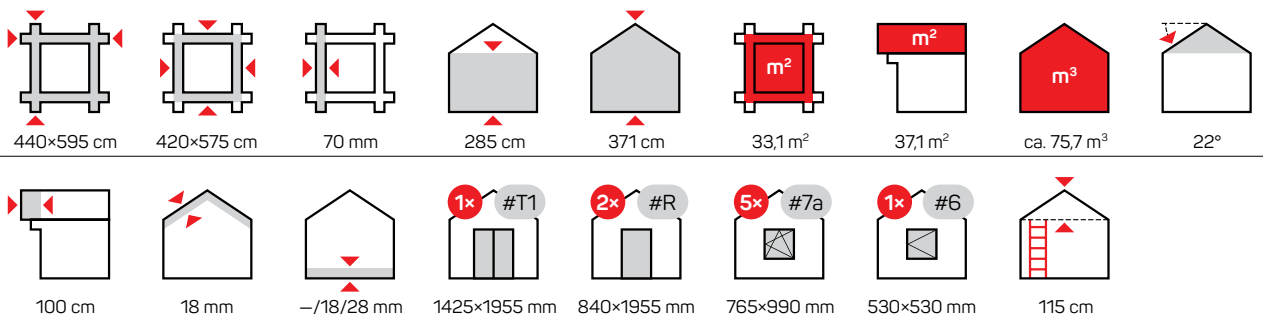
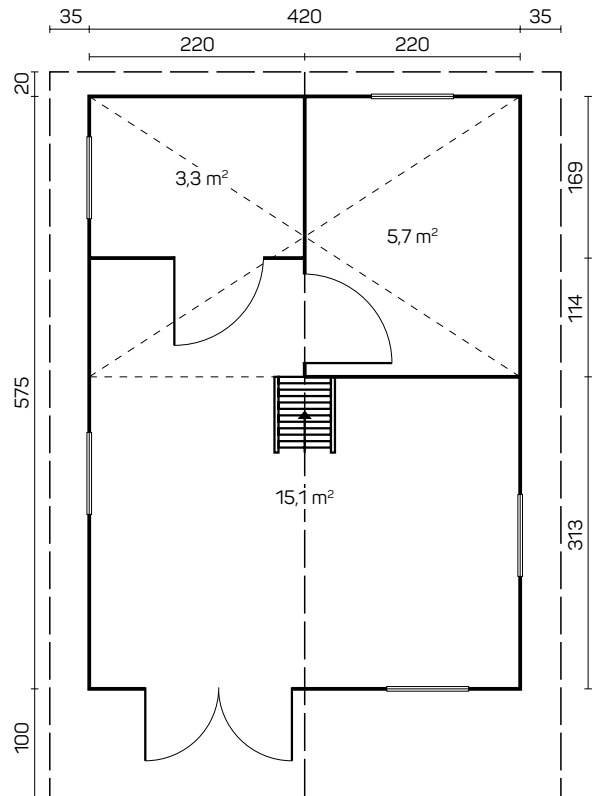


# GOTLAND F

Art 111743



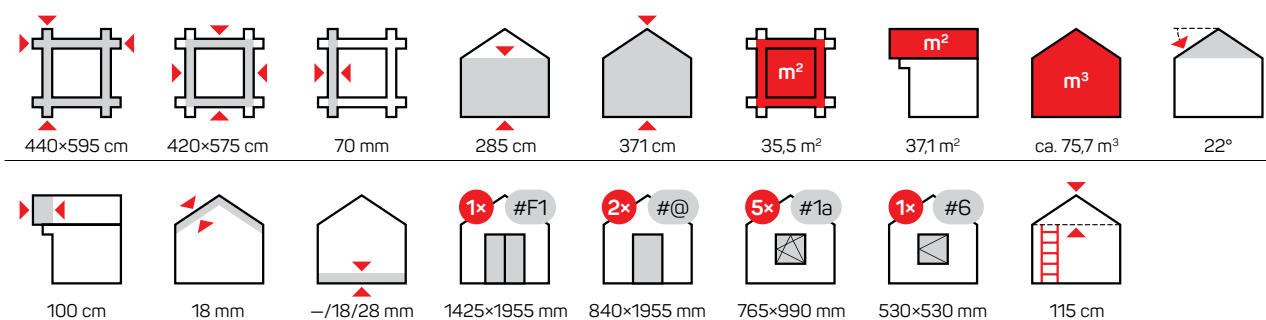
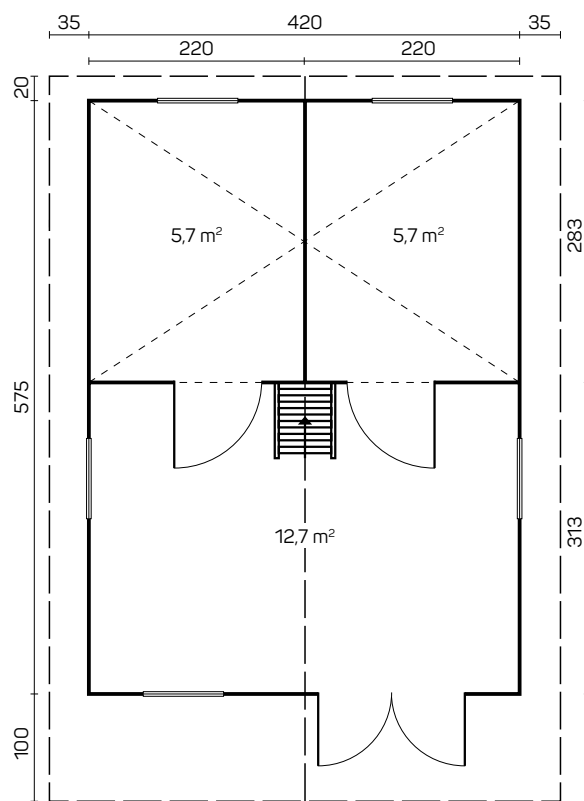
Premium





# GOTLAND G

Art 111744



Premium

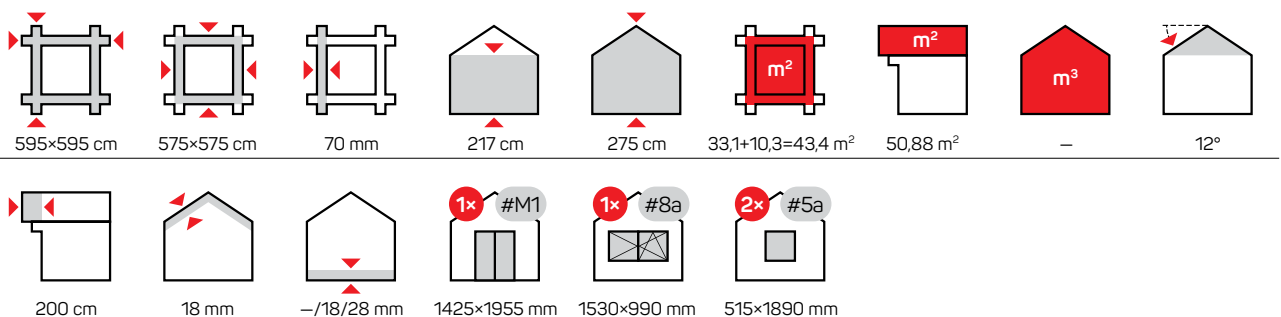
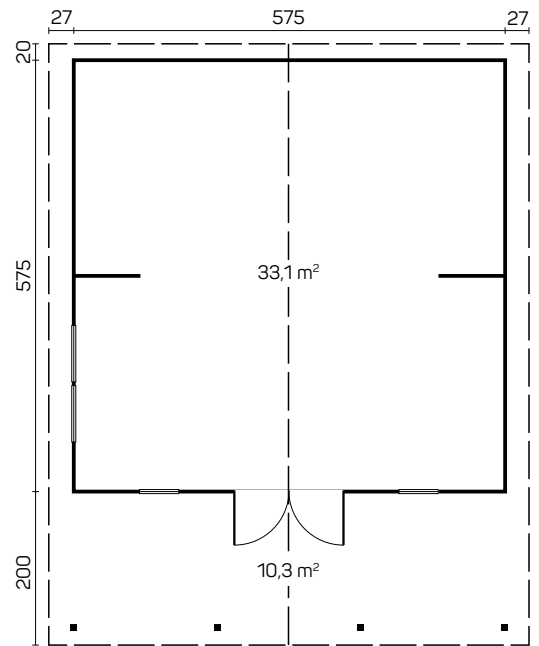


# BURGOS

Art 111143



Premium



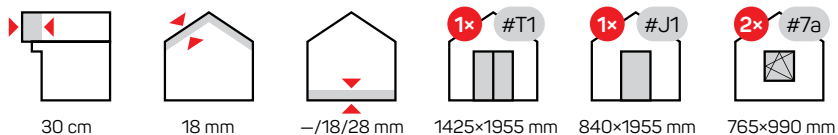
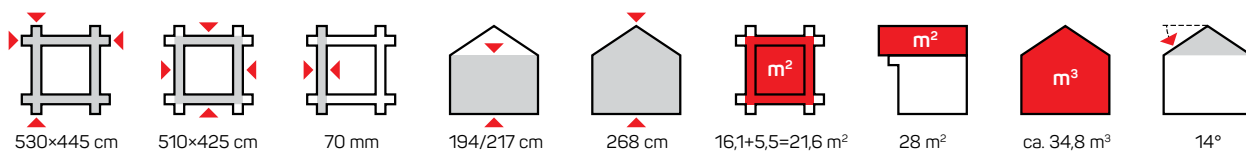
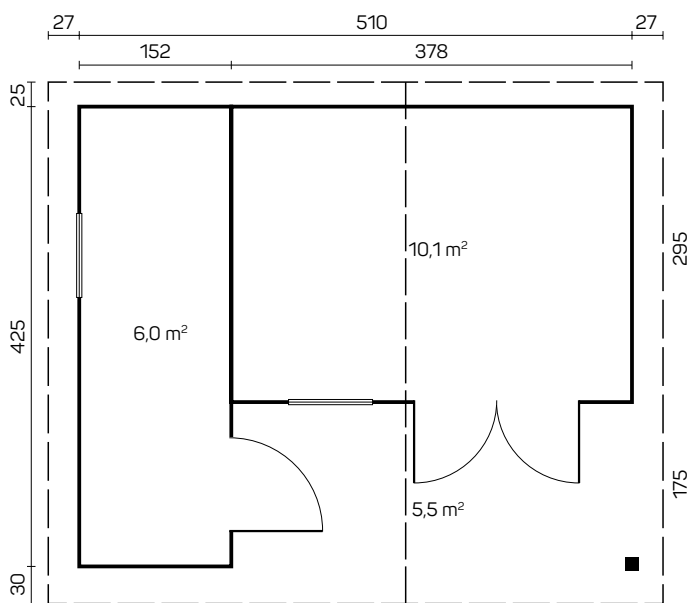


# HELSINKI

Art 111752



Premium



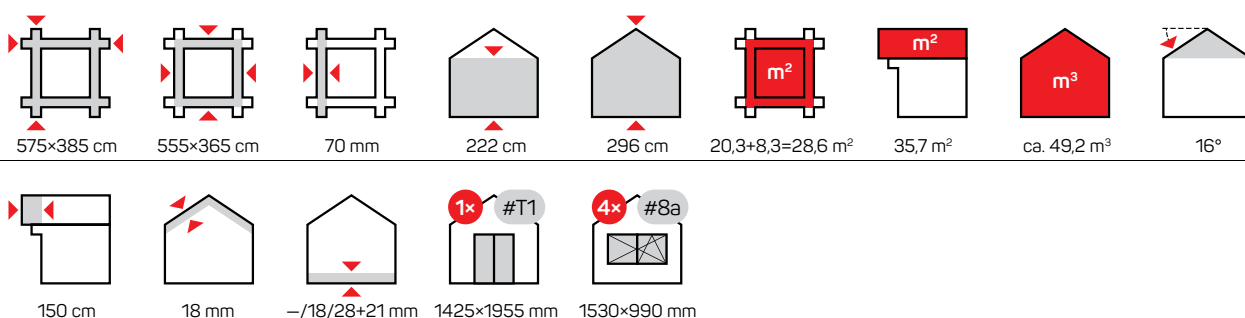
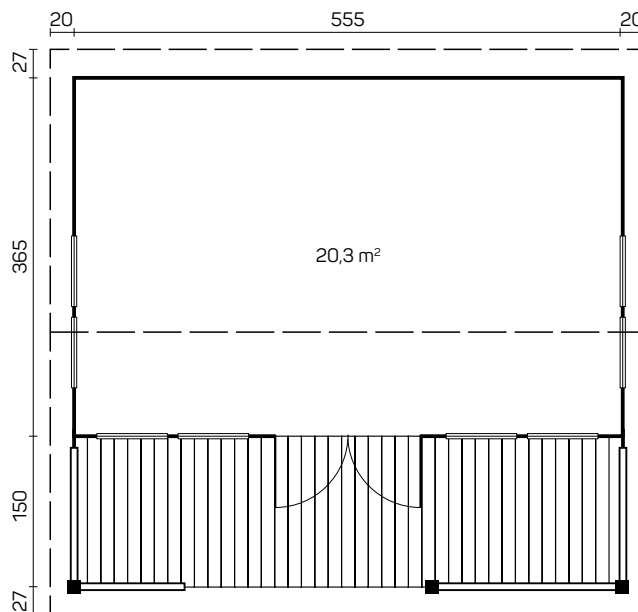


# RICHARD

Art 111753



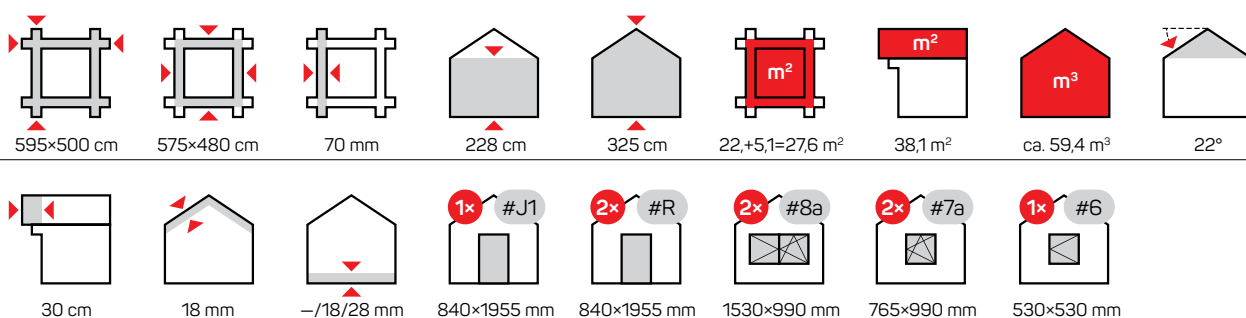
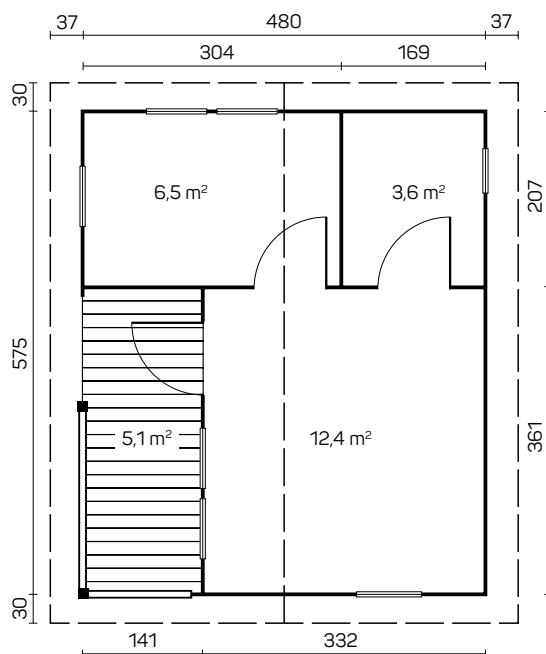
Premium





# FALUN A

Art 111745



Premium



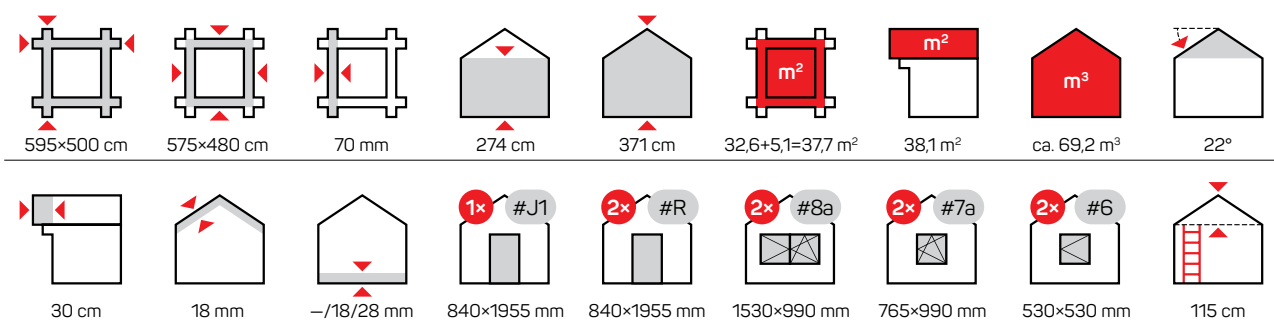
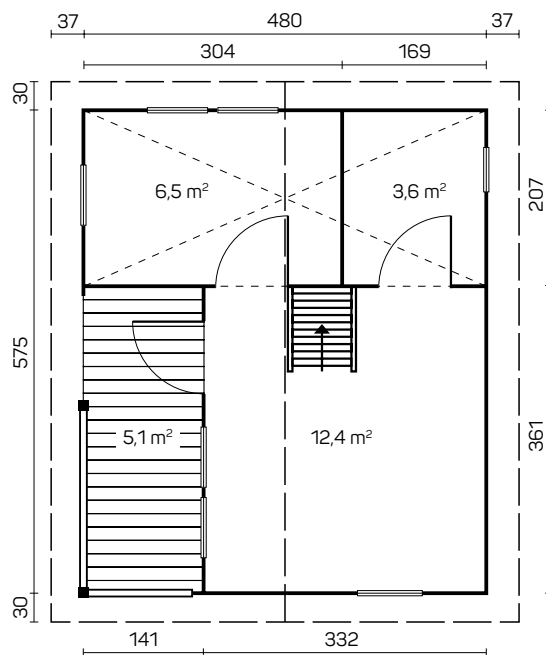


# FALUN B

Art 111746



Premium

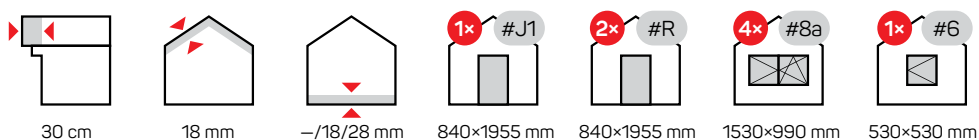
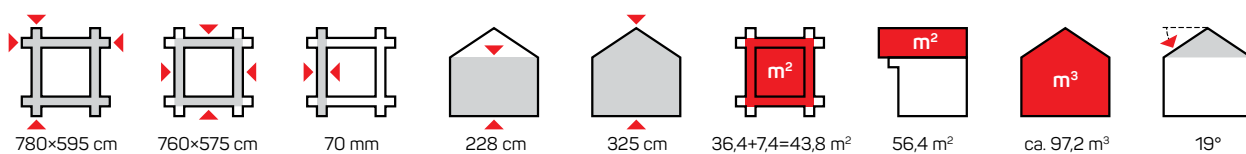
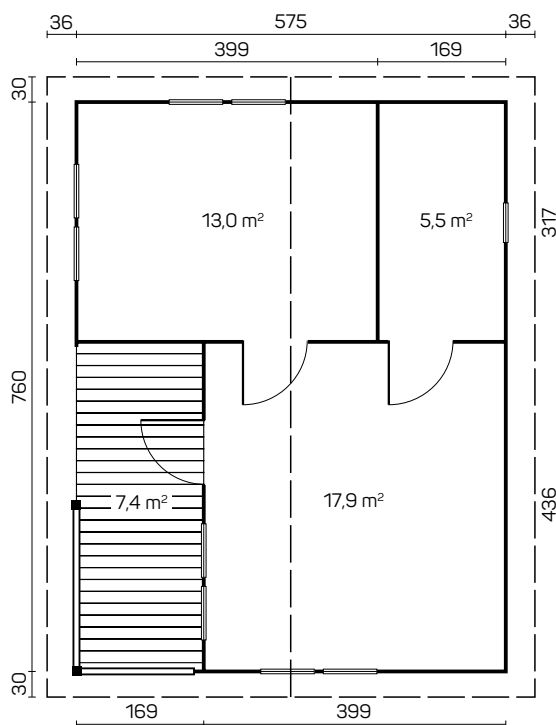




# FALUN C

Art 111747

Premium



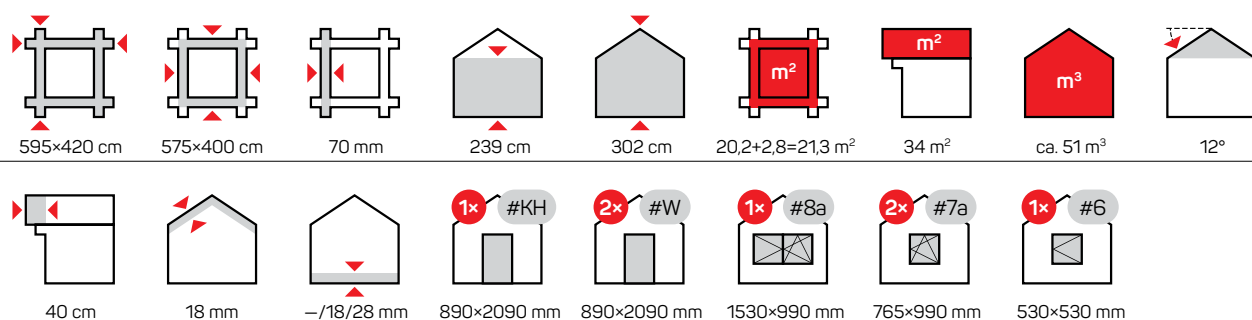
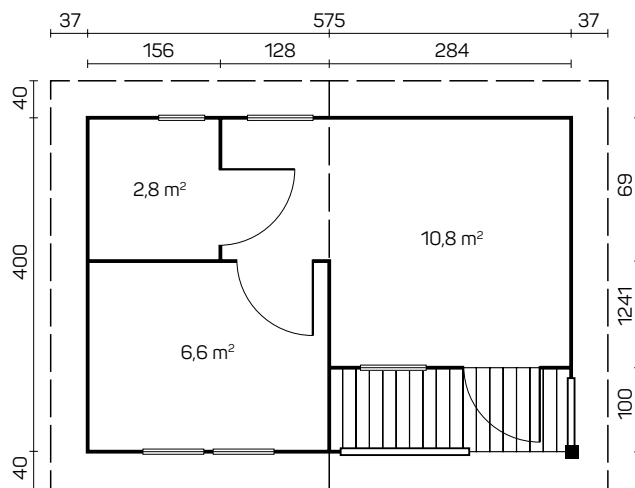


# SALAMANCA

Art 111706



Premium

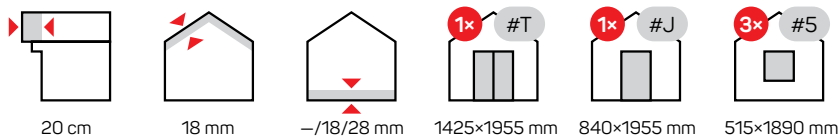
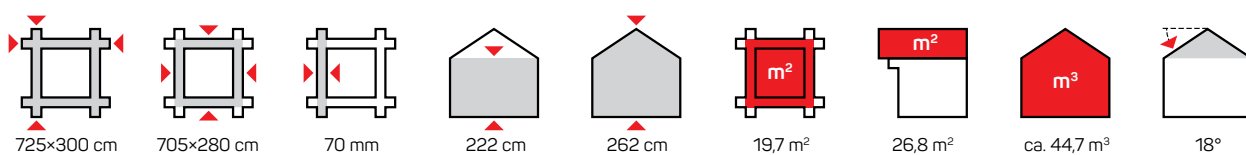
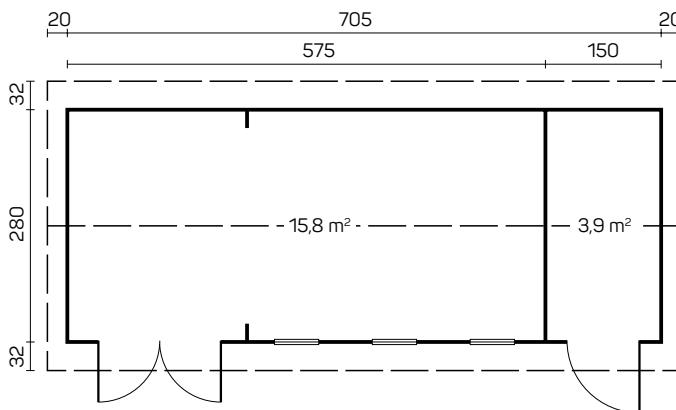




# LEON A

Art 111154

Premium

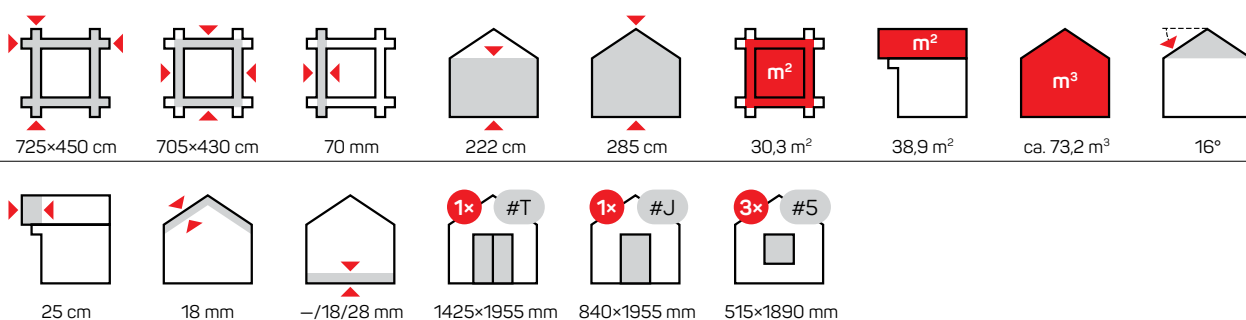
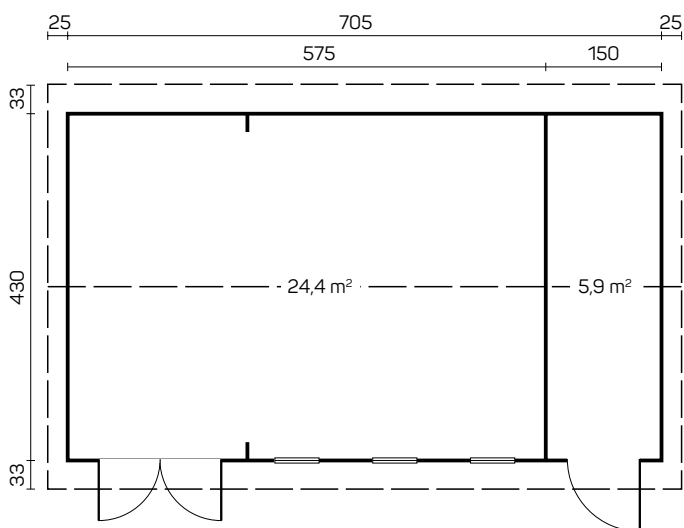




# LEON B

Art 111726

Premium

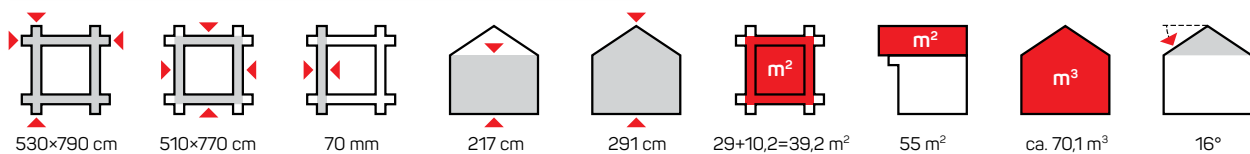
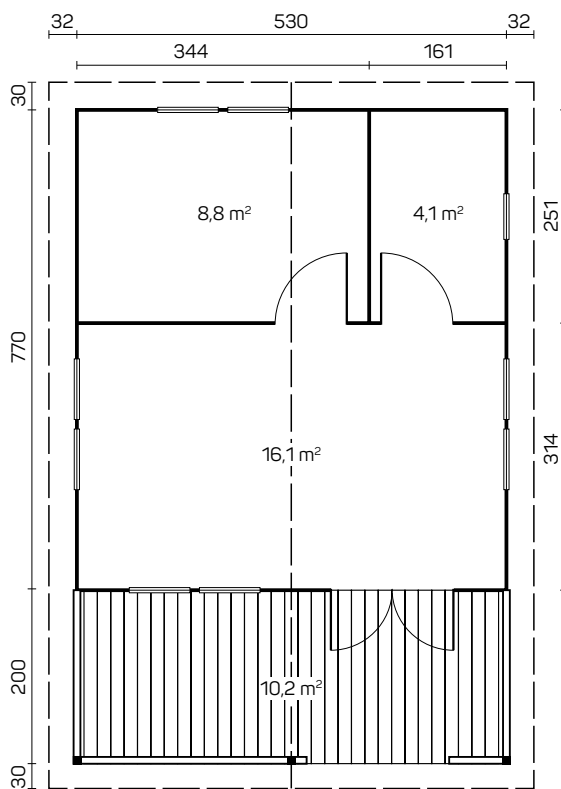




# TORMES

Art 111703

Premium



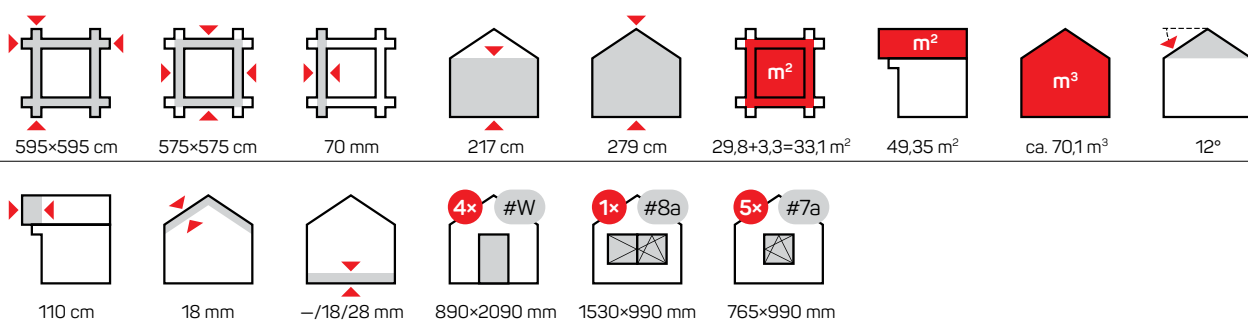
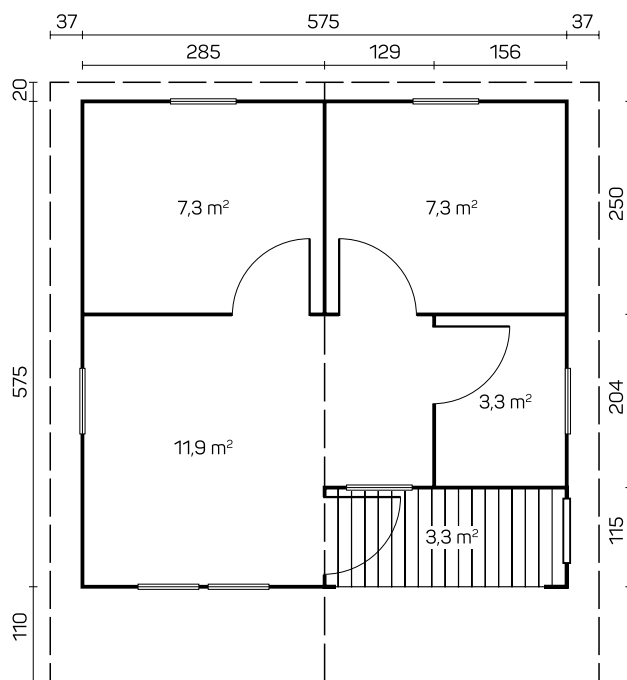


# REUS

Art 111155



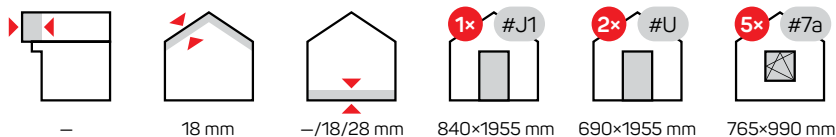
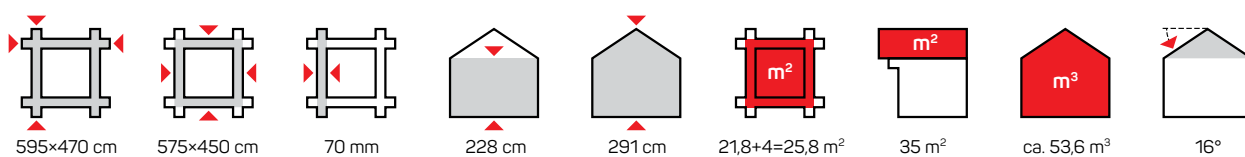
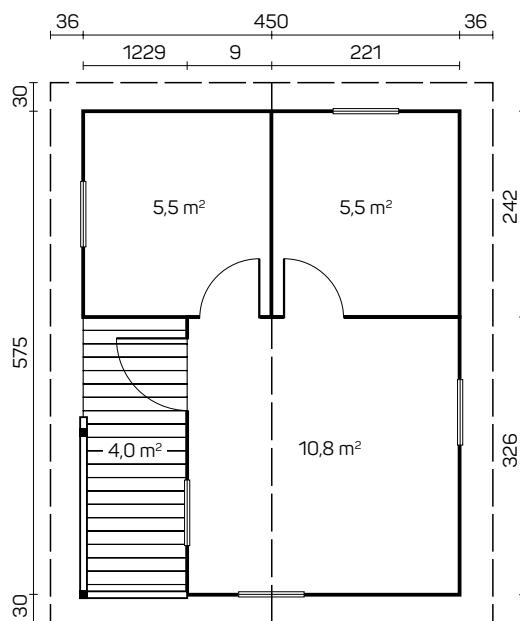
Premium





# VERONA

Art 111191



Premium



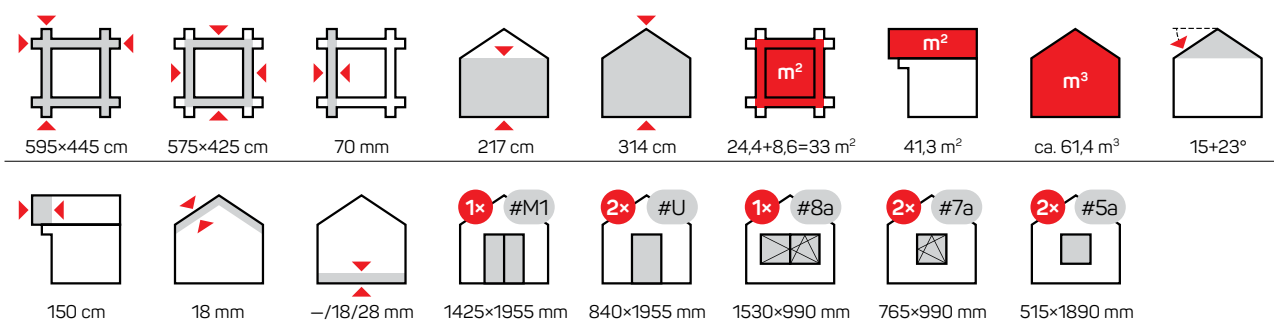
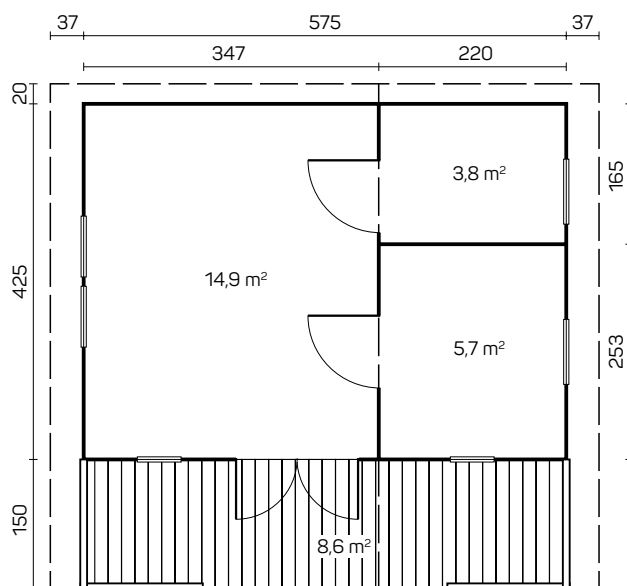


# MONVISO

Art 111190



Premium



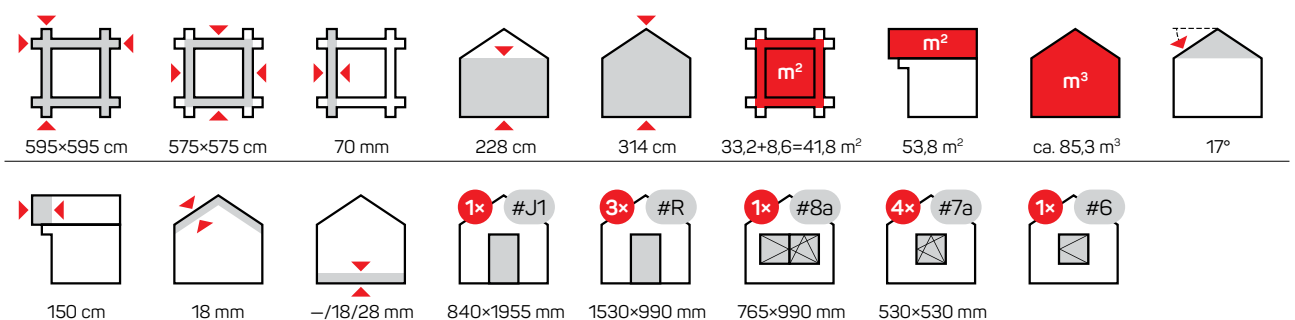
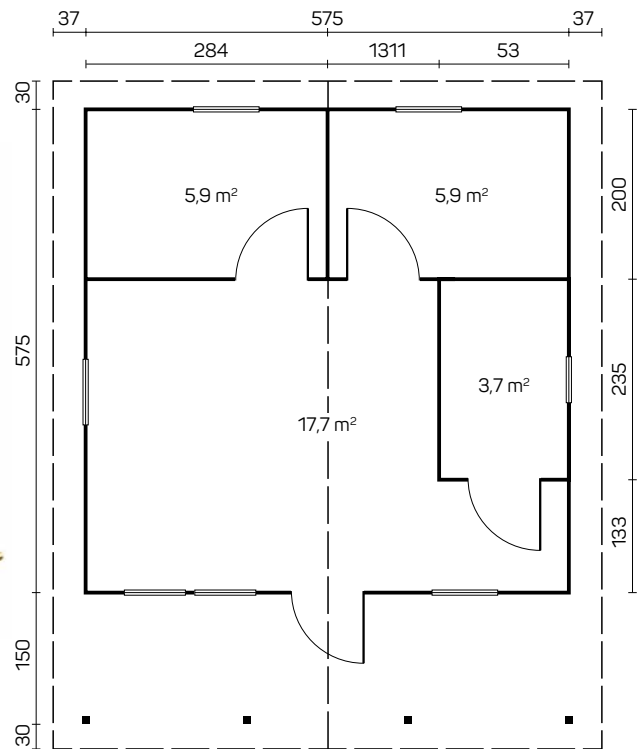


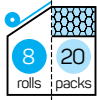
# PADOVA

Art 111193



Premium



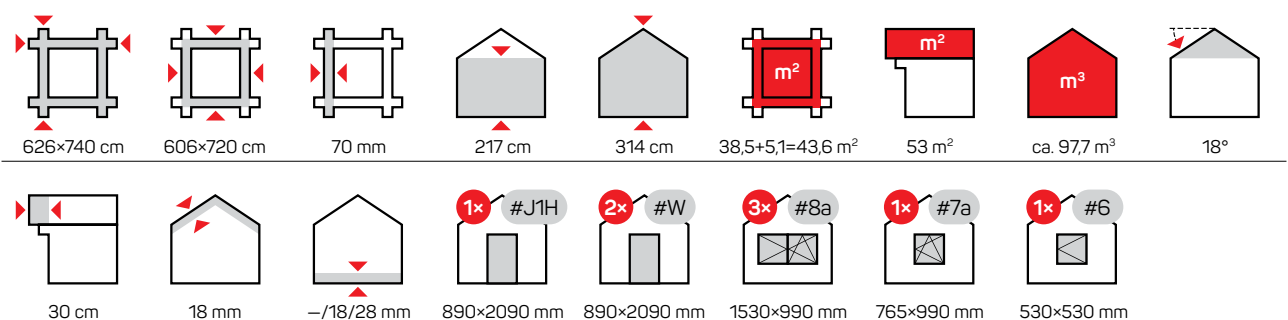
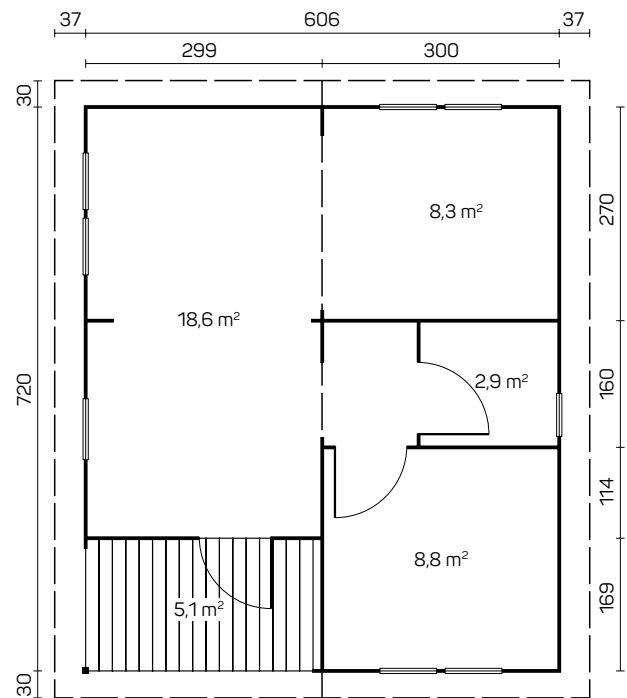


# ARLANZON A

Art 111708



Premium



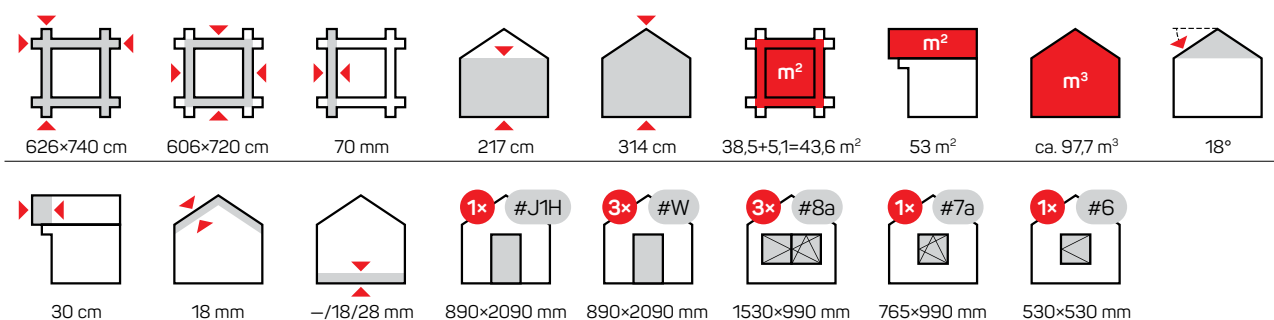
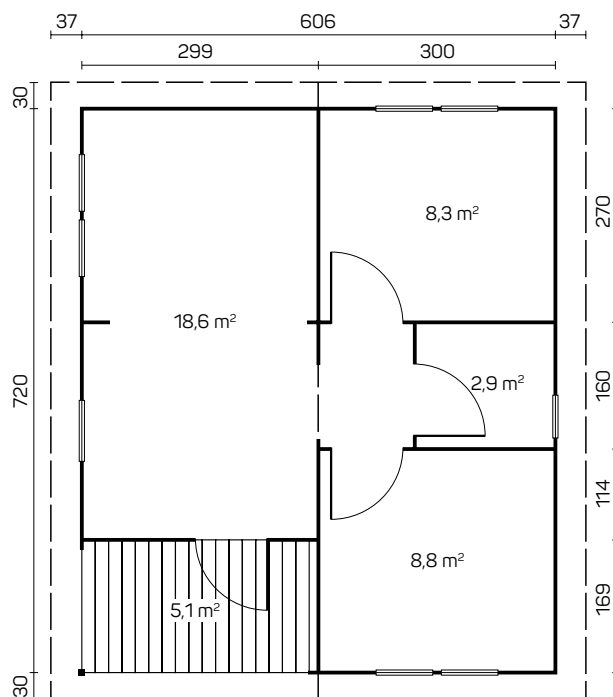


# ARLANZON B

Art 111709



Premium

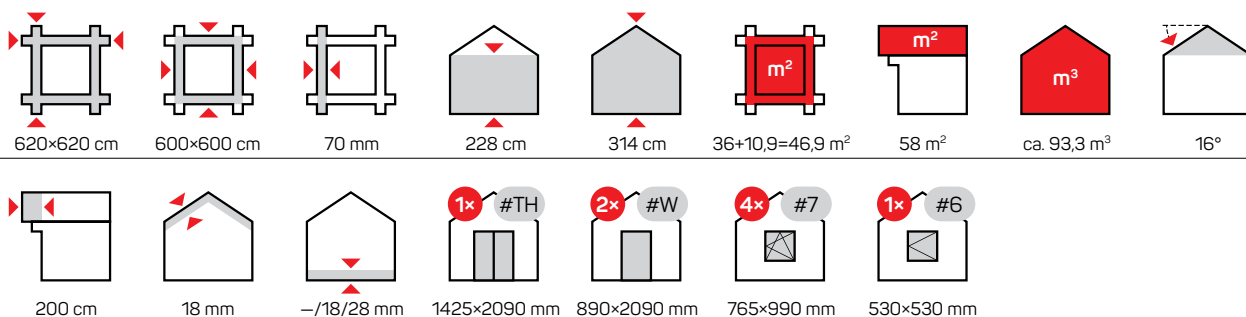
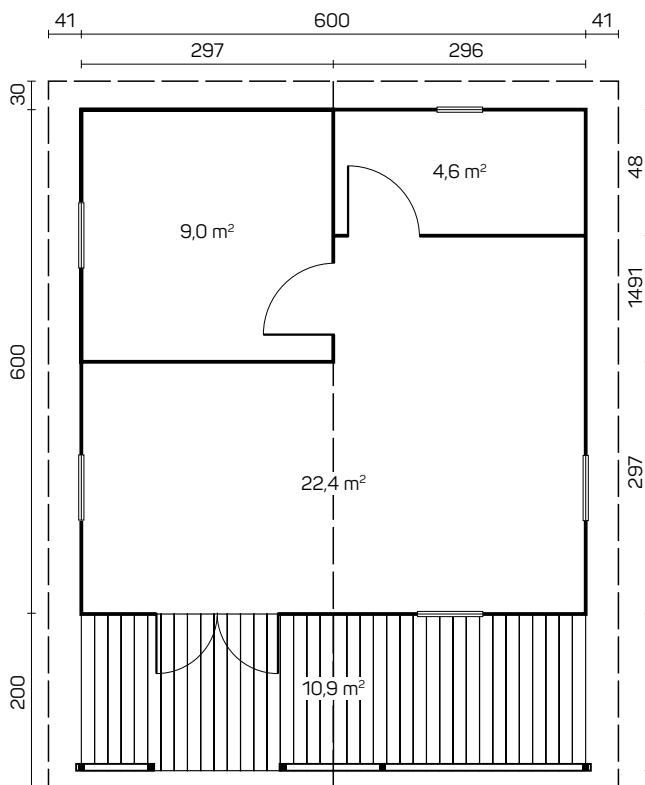




# PETRA

Art 111156

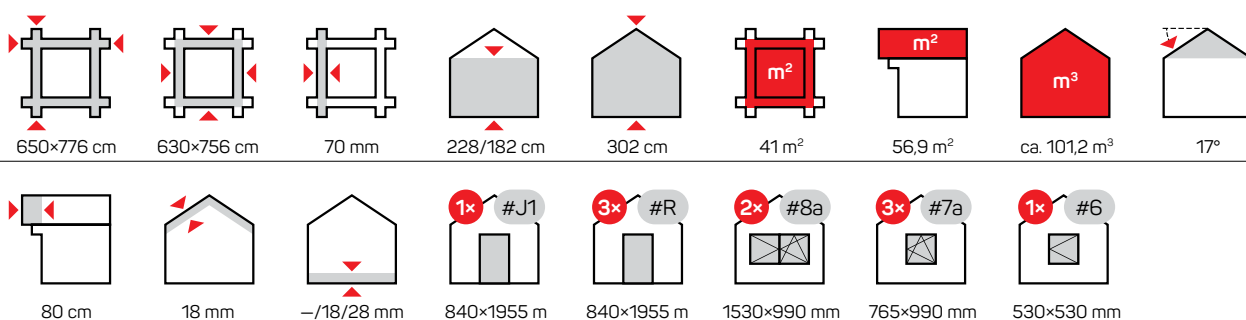
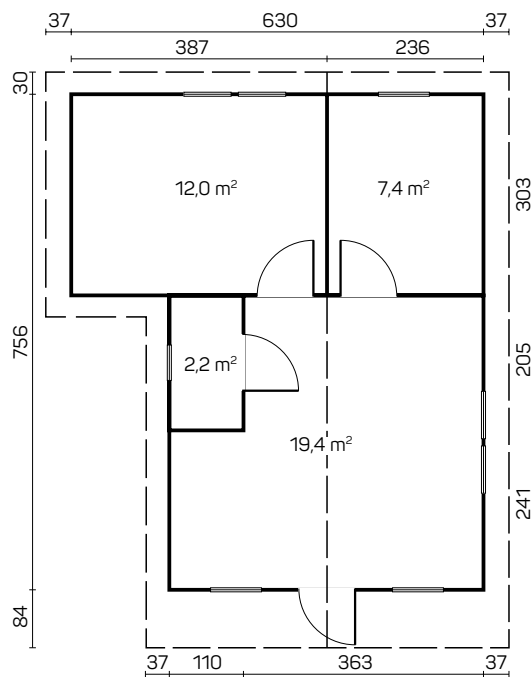
Premium





# CERVINO

Art 111194

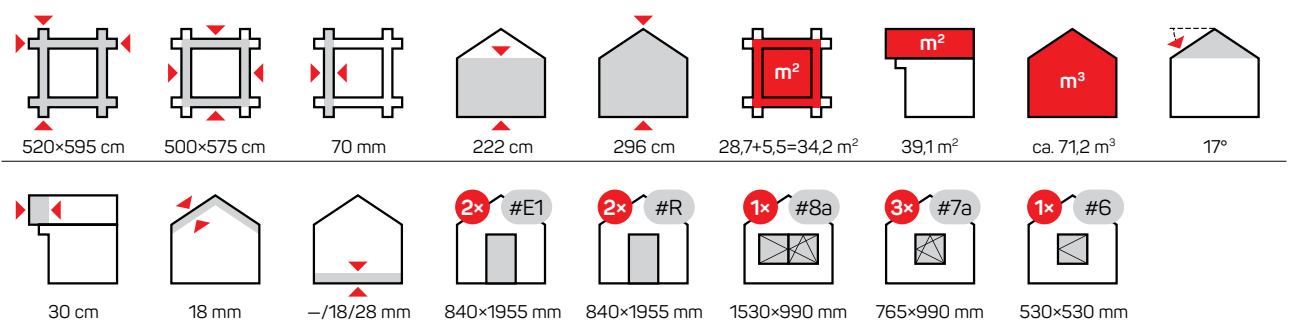
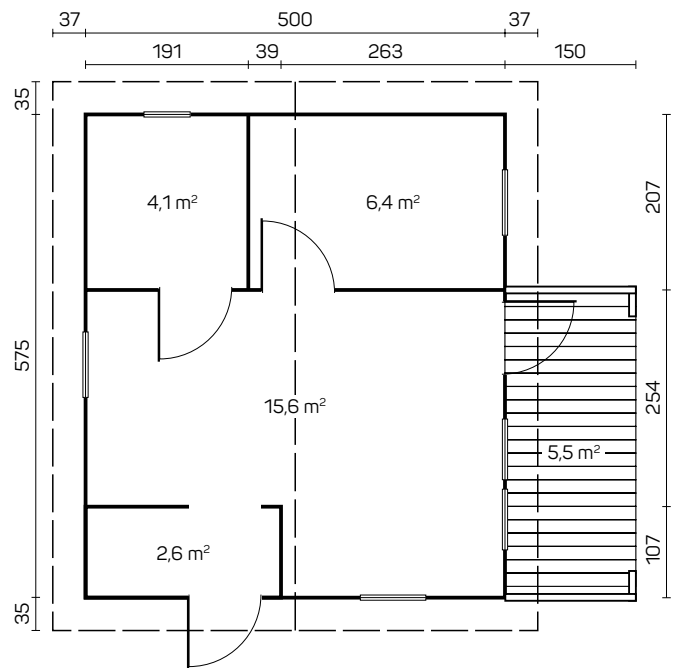




# TORINO

Art 111192

Premium



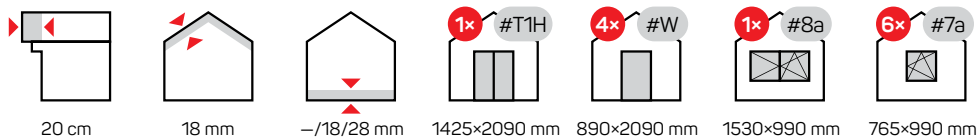
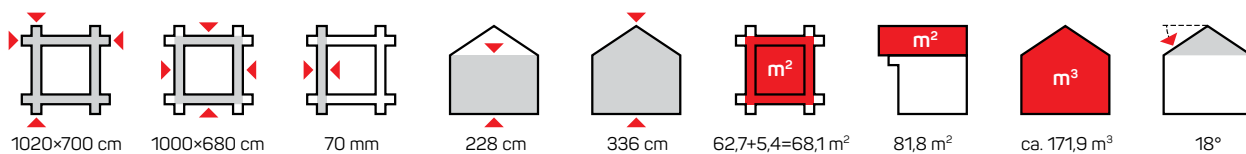
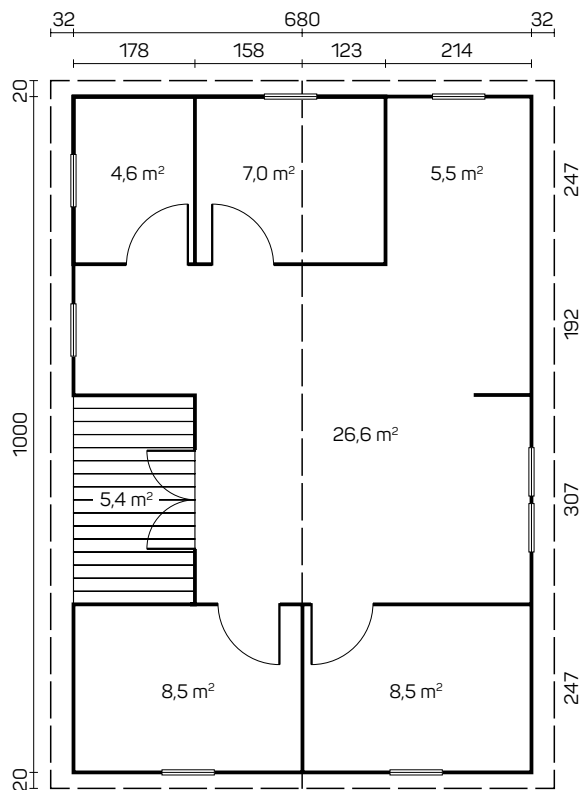
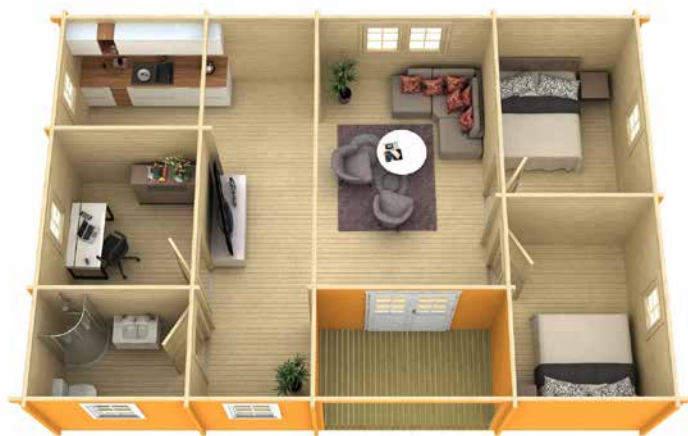


# URSULA

Art 111196



Premium

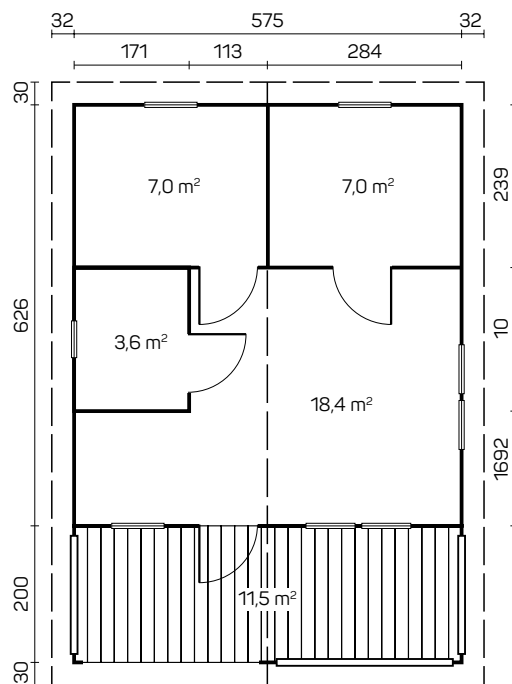




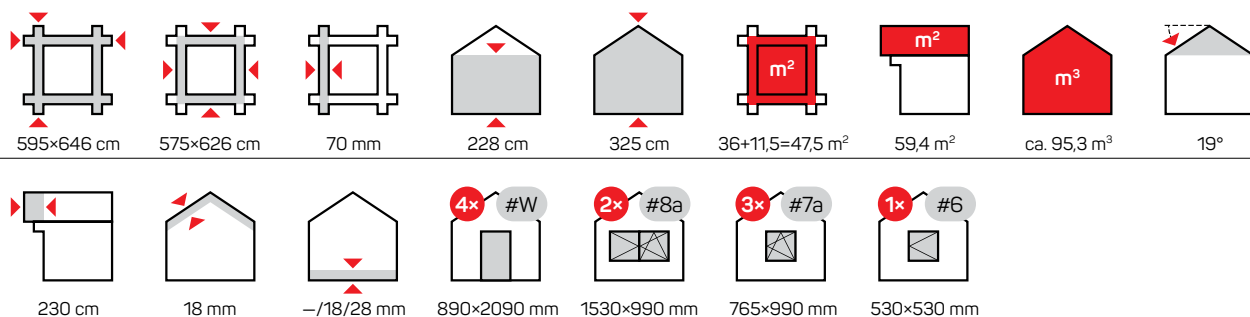


# TOLEDO A

Art 111144



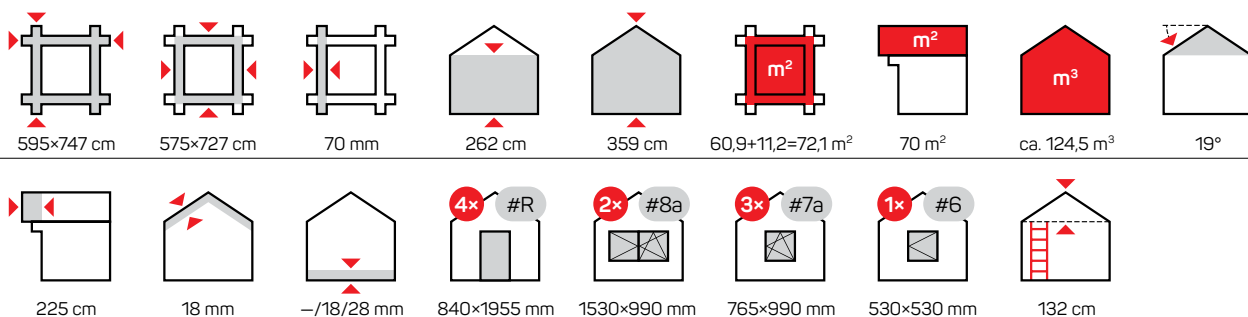
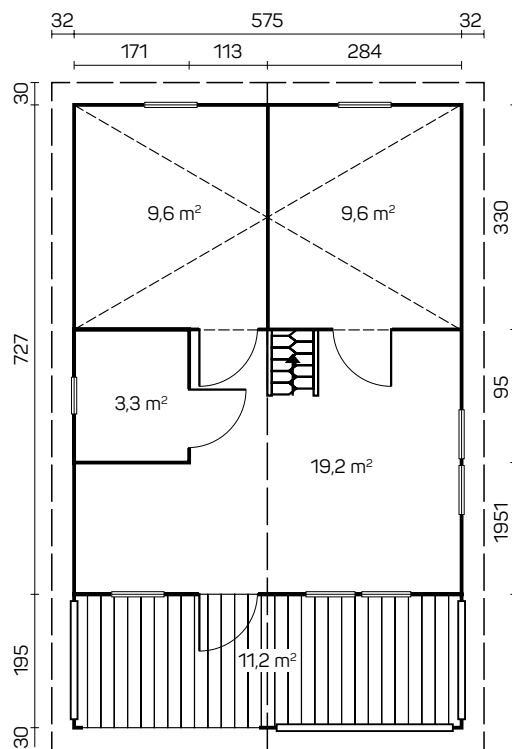
Premium





# TOLEDO D

Art 111147



Premium

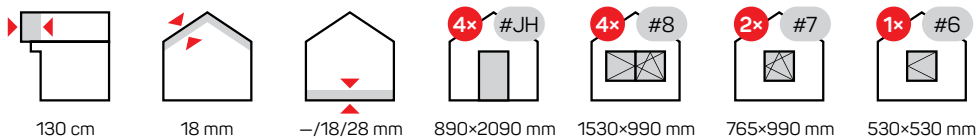
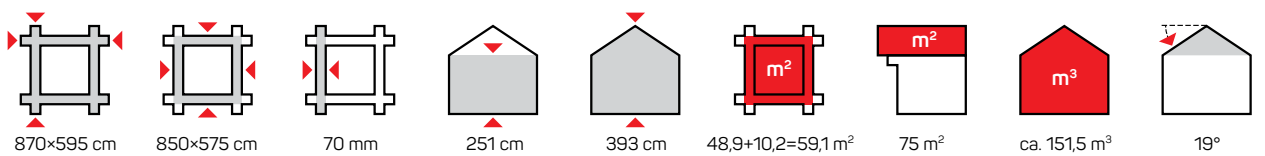
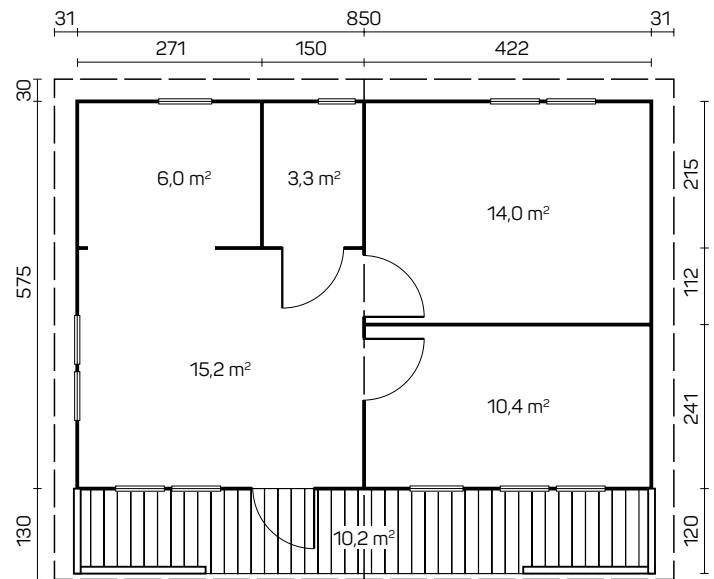


# MOTRIL

Art 111159



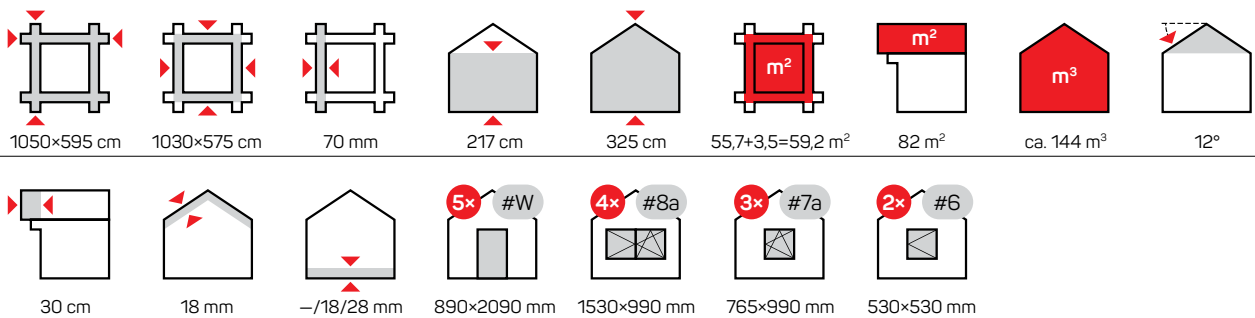
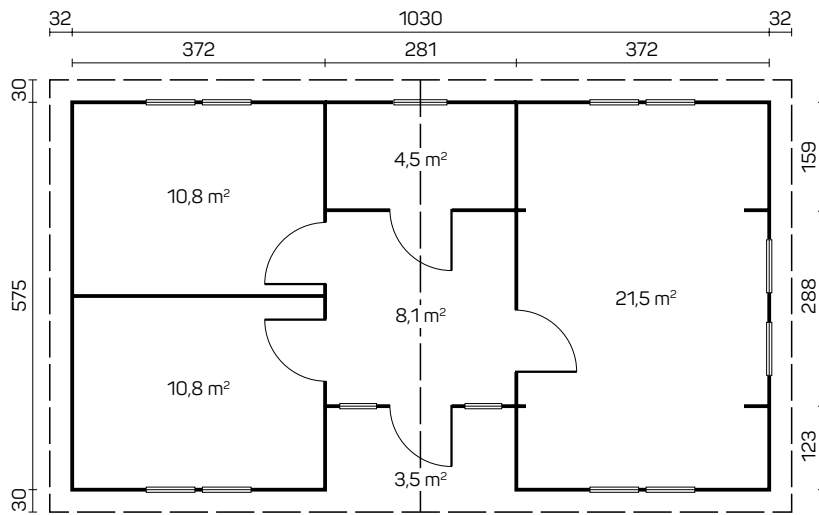
Premium



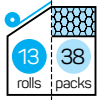


# KRISTI

Art 111716



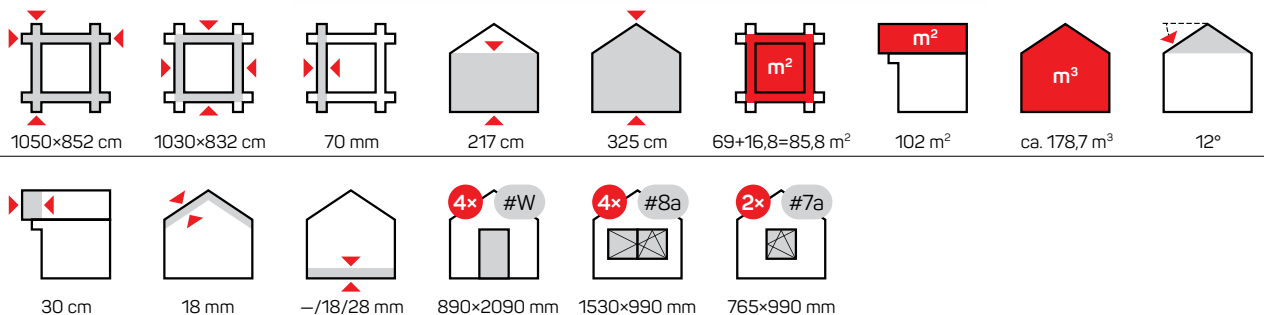
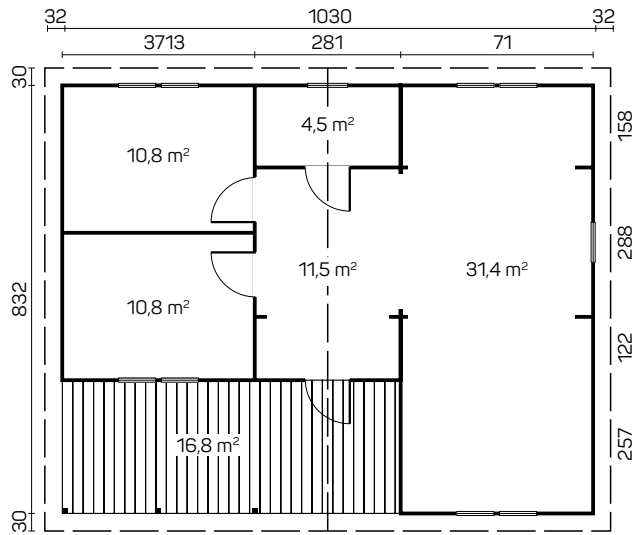
Premium



# KRISTINA

Art 111729

Premium

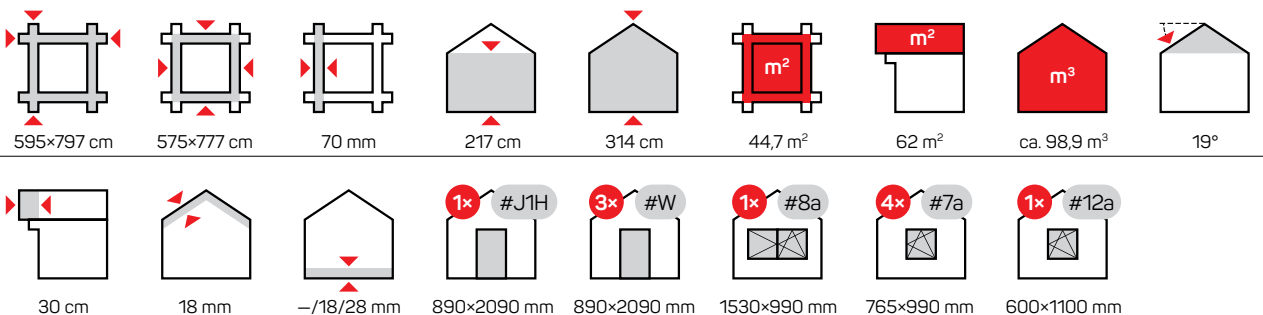
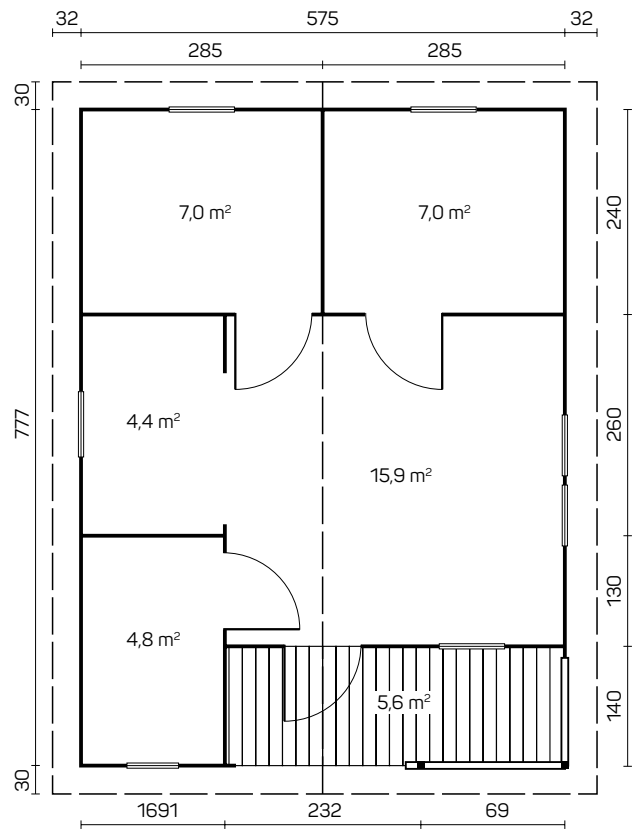




# ALMERIA A

Art 111152

Premium



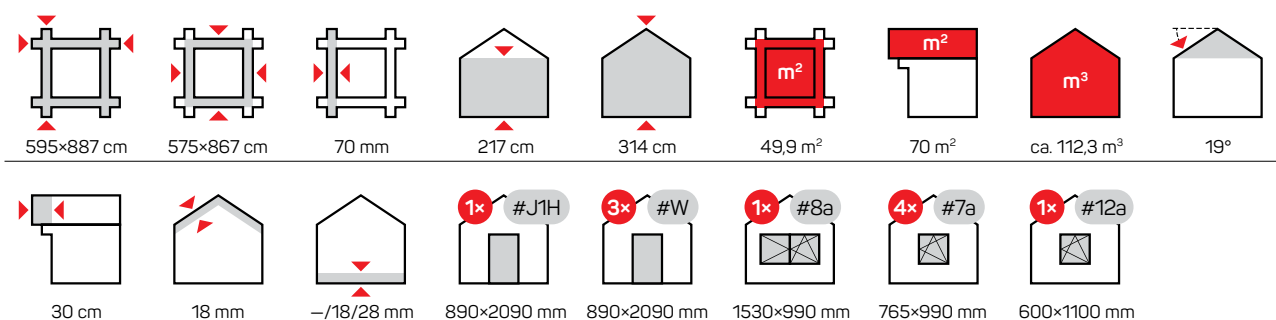
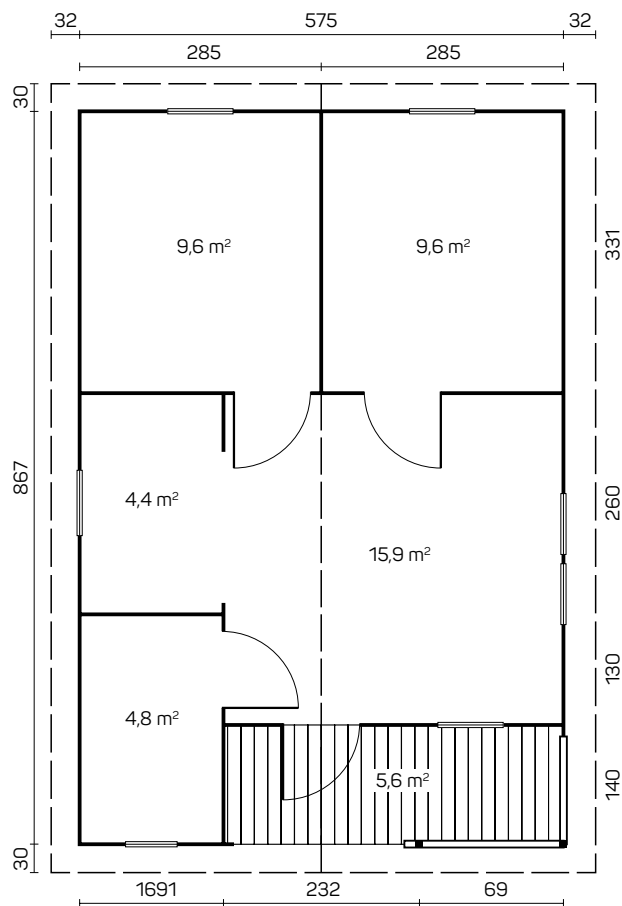


# ALMERIA B

Art 111153



Premium

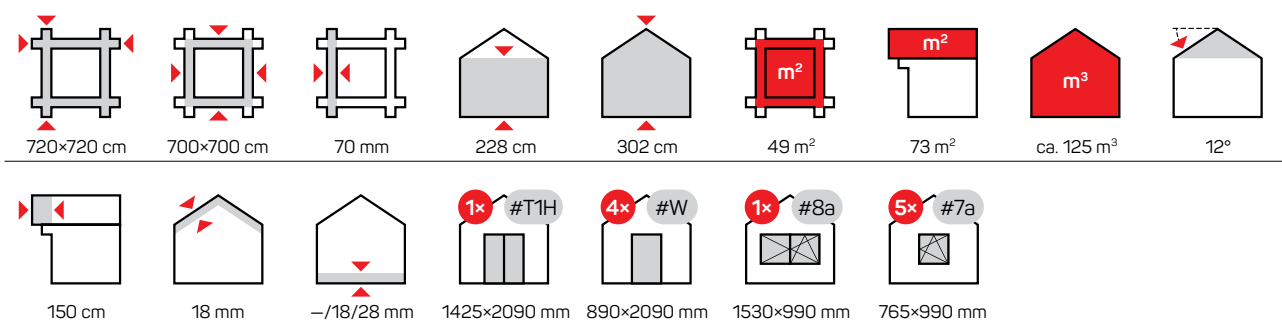
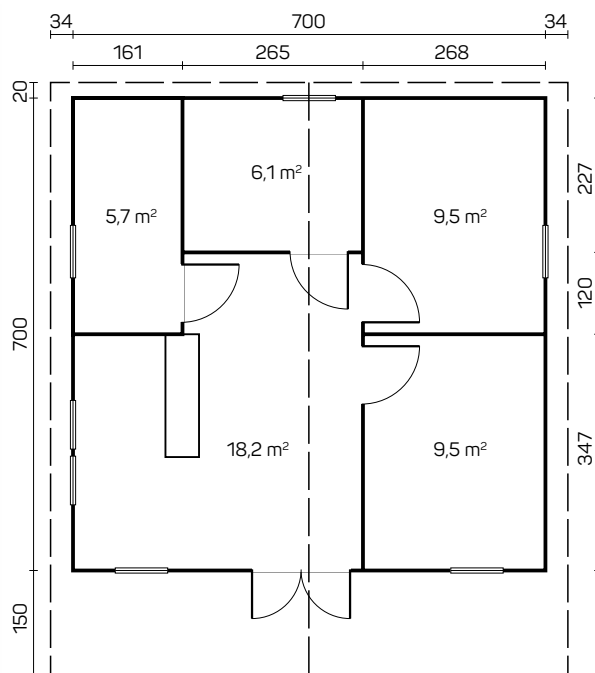




# PALMA

Art 111157

Premium



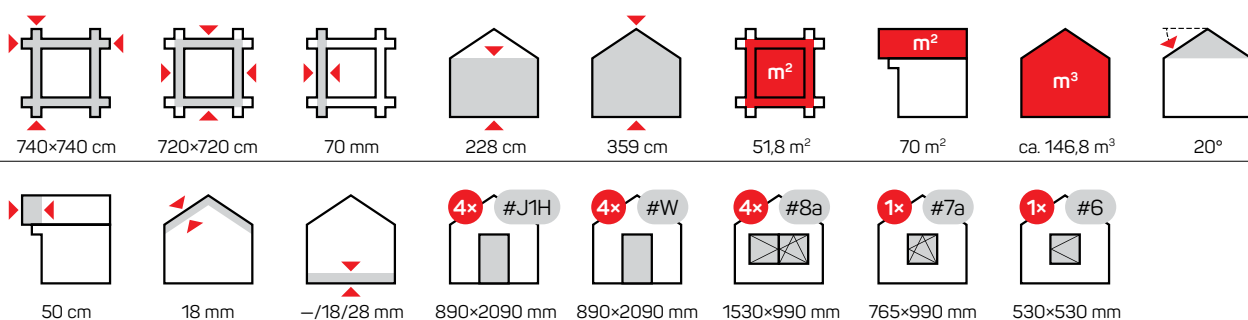
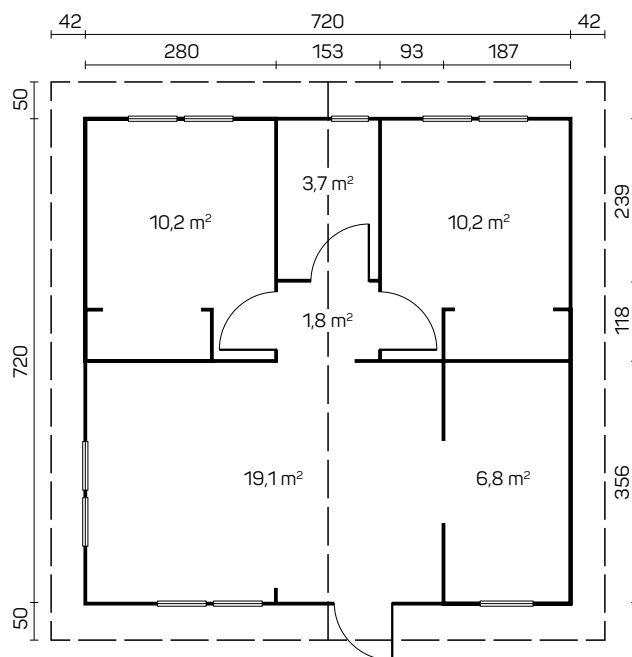




# TIPO

Art 111158

Premium

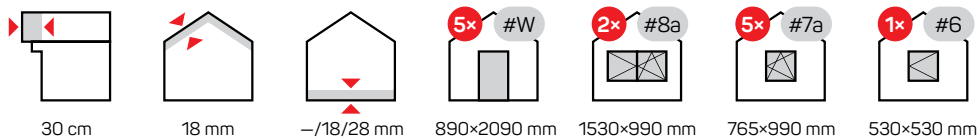
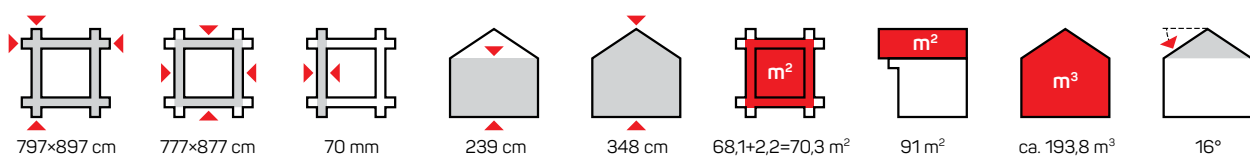
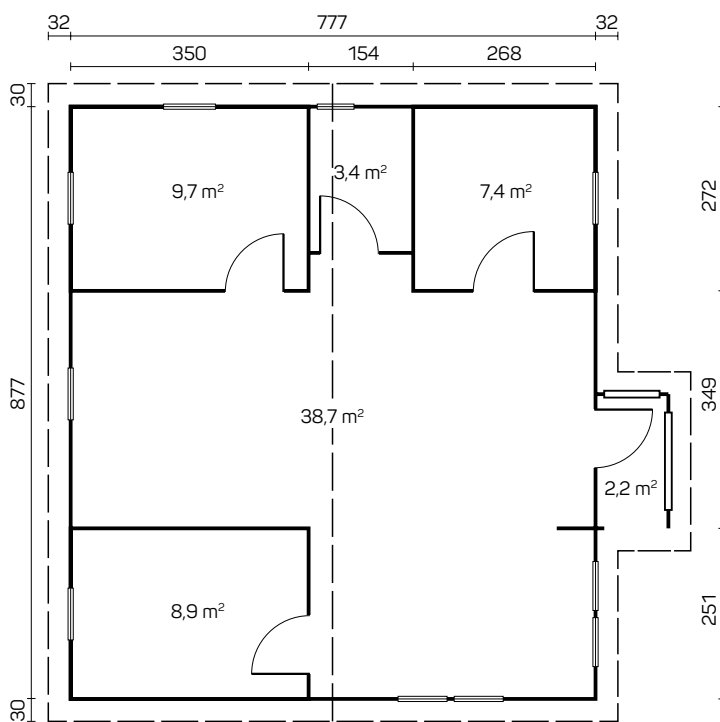




# ESTONIA

Art 111712

Premium

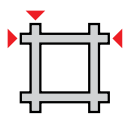
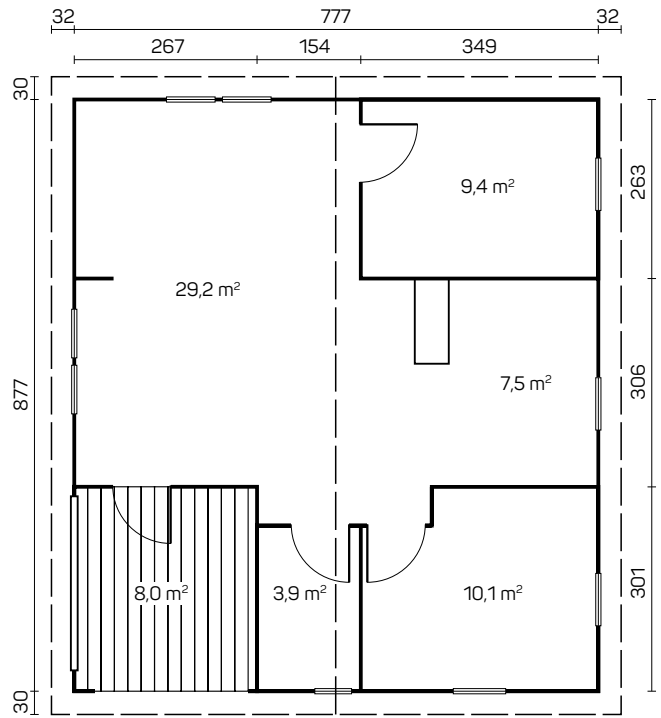




# RIGA

Art 111713

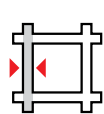
Premium



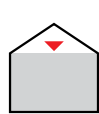
797×897 cm



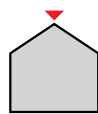
777×877 cm



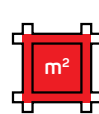
70 mm



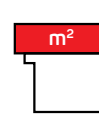
239 cm



348 cm



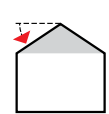
98,7+8=106,7 m<sup>2</sup>



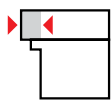
99 m<sup>2</sup>



ca. 171,6 m<sup>3</sup>



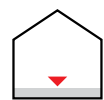
16°



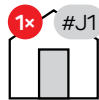
30 cm



18 mm

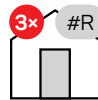


-/18/28 mm



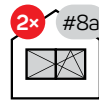
1× #J1

840×1955 mm



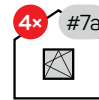
3× #R

840×1955 mm



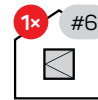
2× #8a

1530×990 mm



4× #7a

765×990 mm



1× #6

530×530 mm



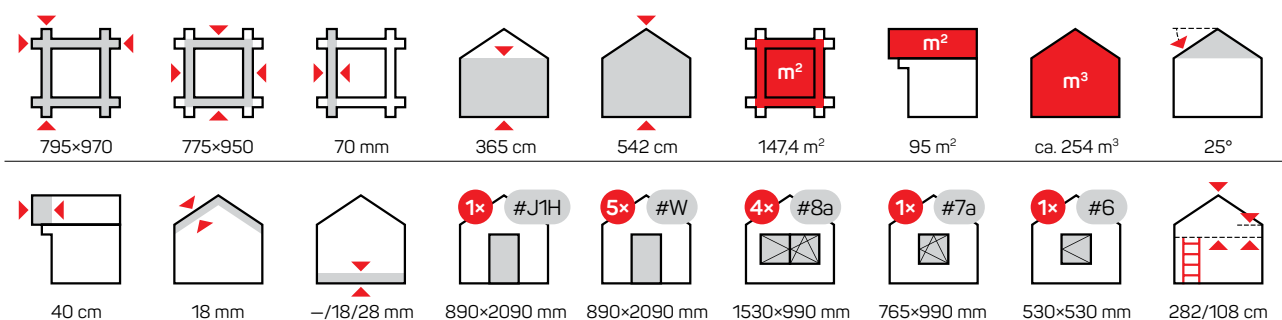
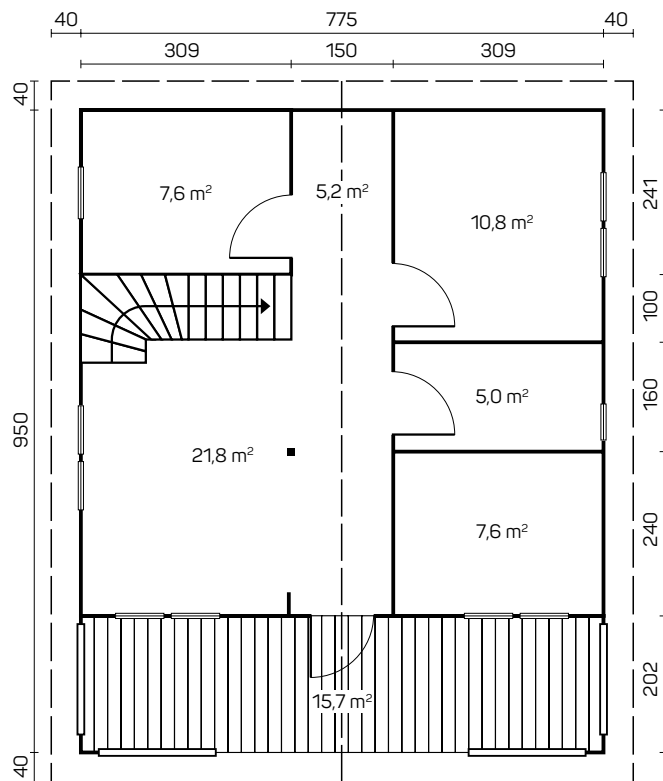
# SERENA

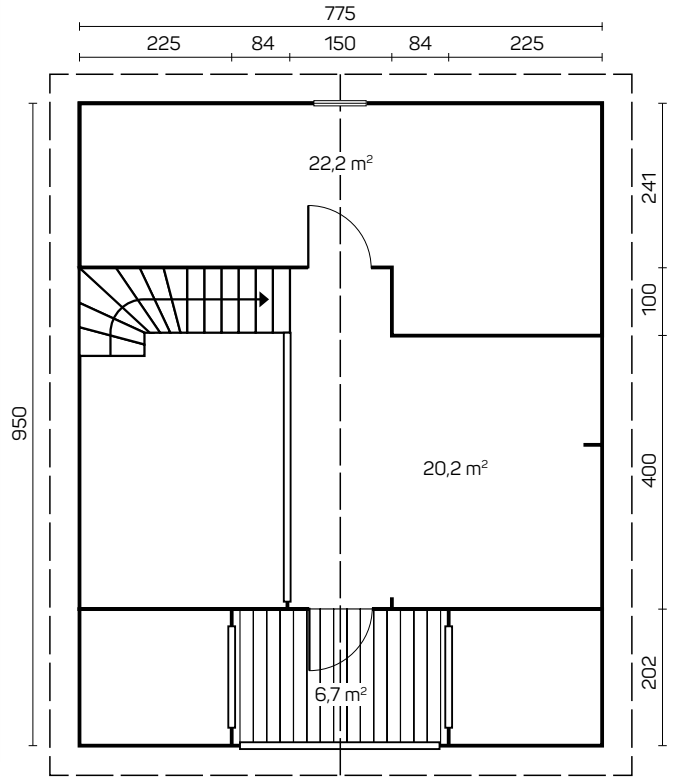
Art 111711

Premium



Not included





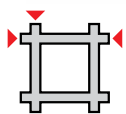
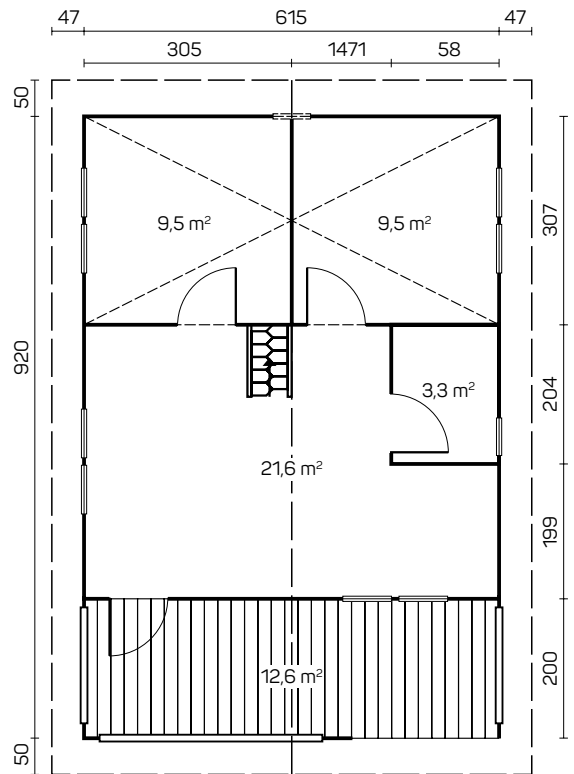
Premium





# EUROPA

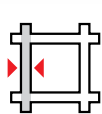
Art 111730



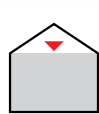
635×940 cm



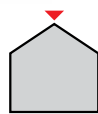
615×920 cm



70 mm



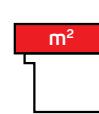
251 cm



428 cm



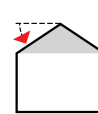
56,5+19=75,5 m<sup>2</sup>



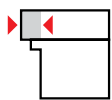
84 m<sup>2</sup>



ca. 143,7 m<sup>3</sup>



30°



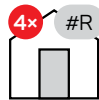
250 cm



18 mm



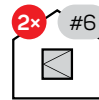
-/18/28 mm



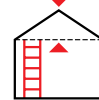
840×1955 mm



1530×990 mm



530×530 mm



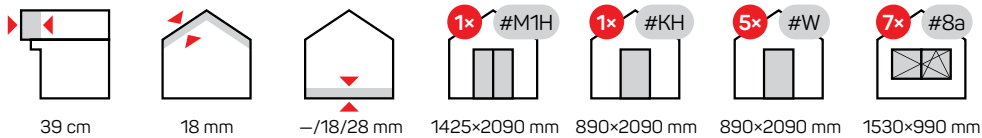
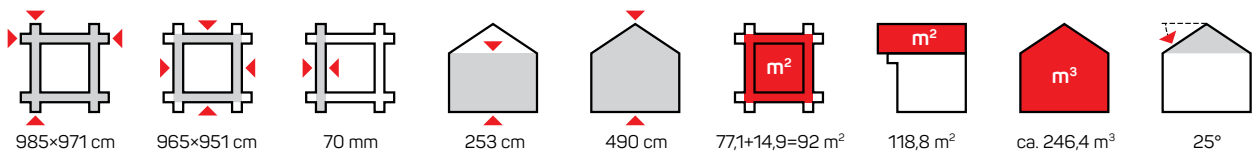
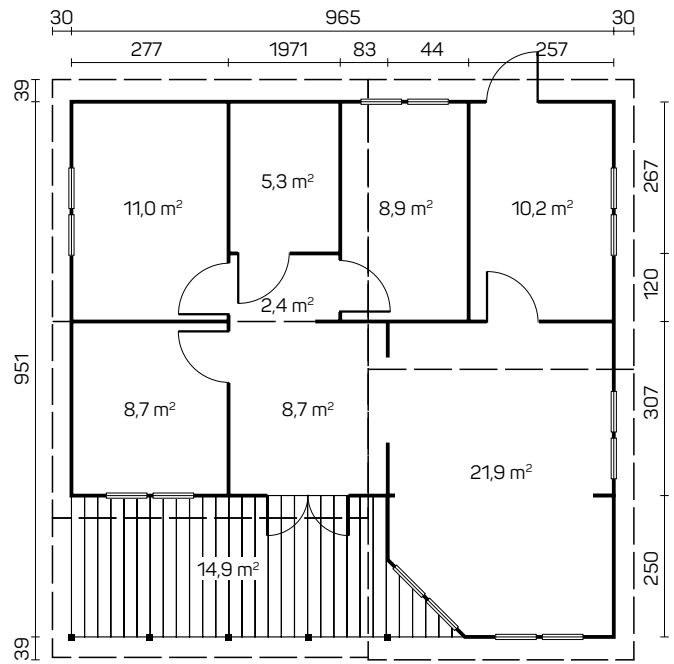
195 cm



# VIGO

Art 111727

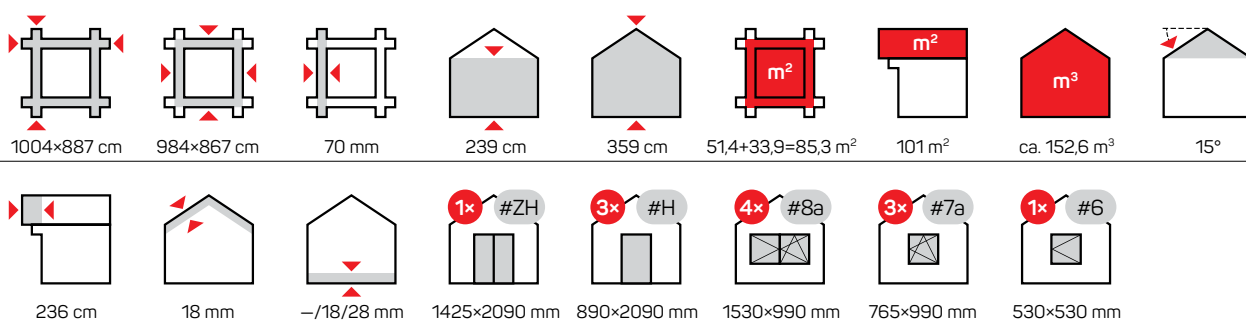
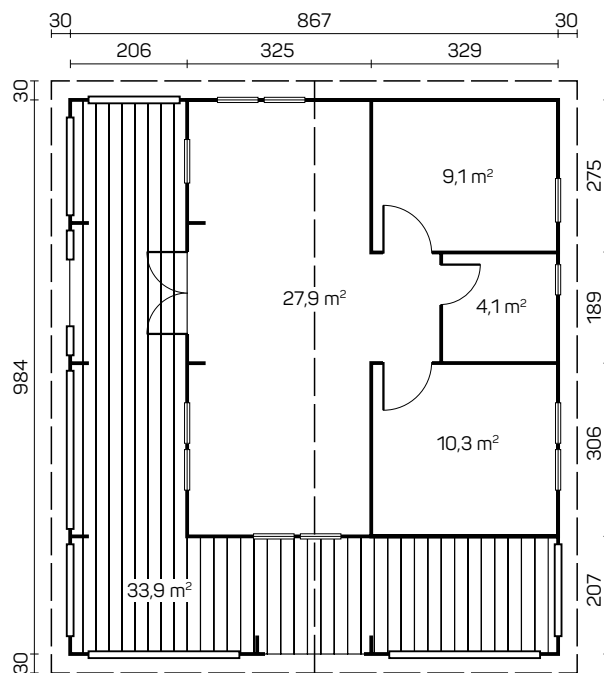
Premium





# RIOPAS

Art 111701



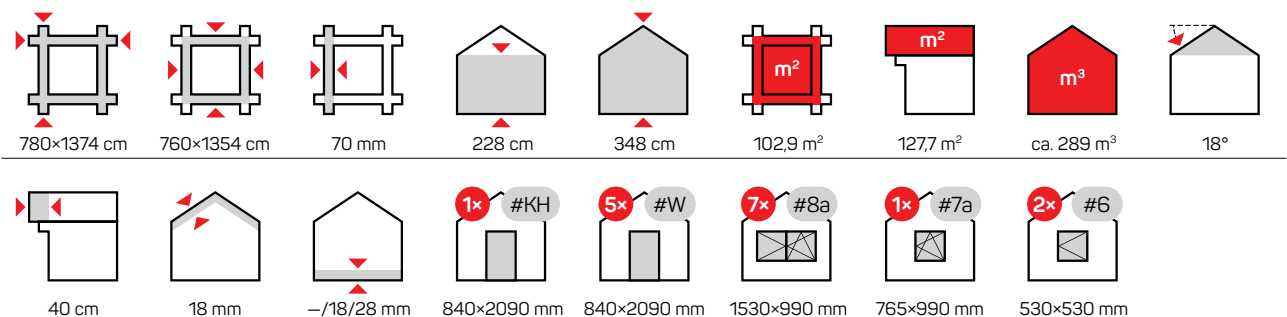
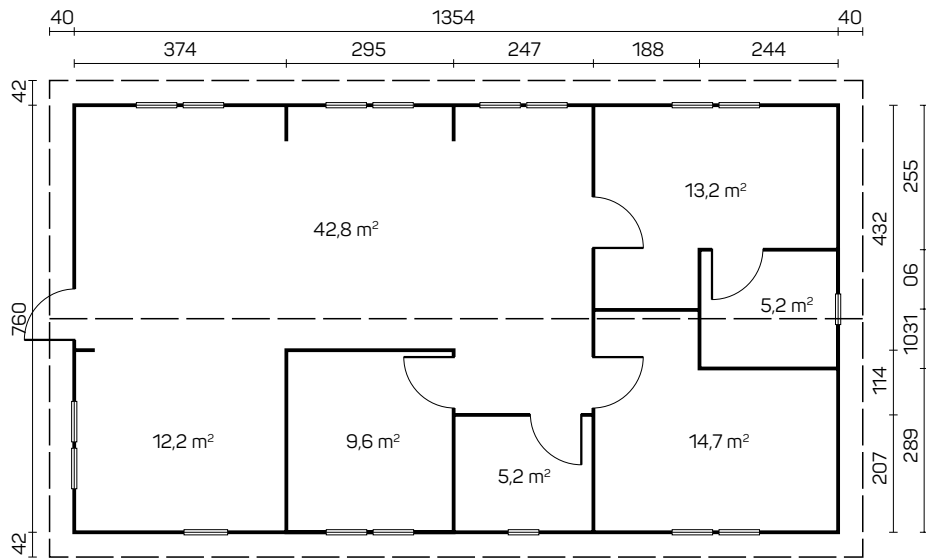
Premium





# TRENTO

Art 111755



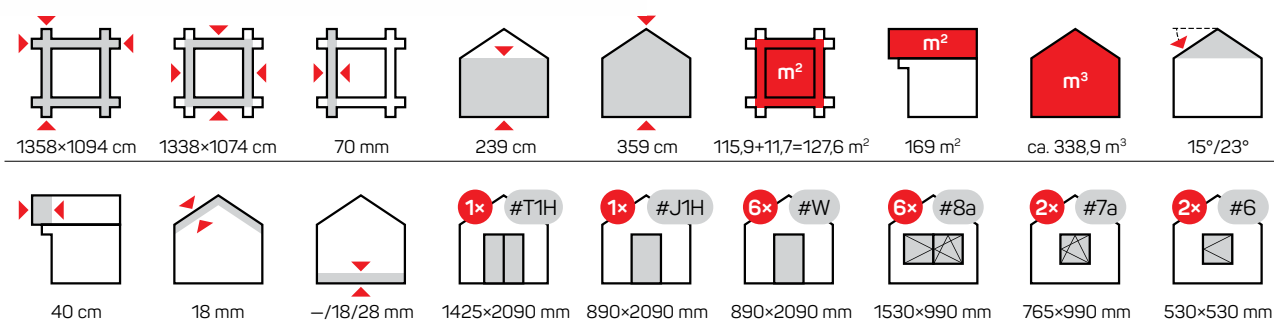
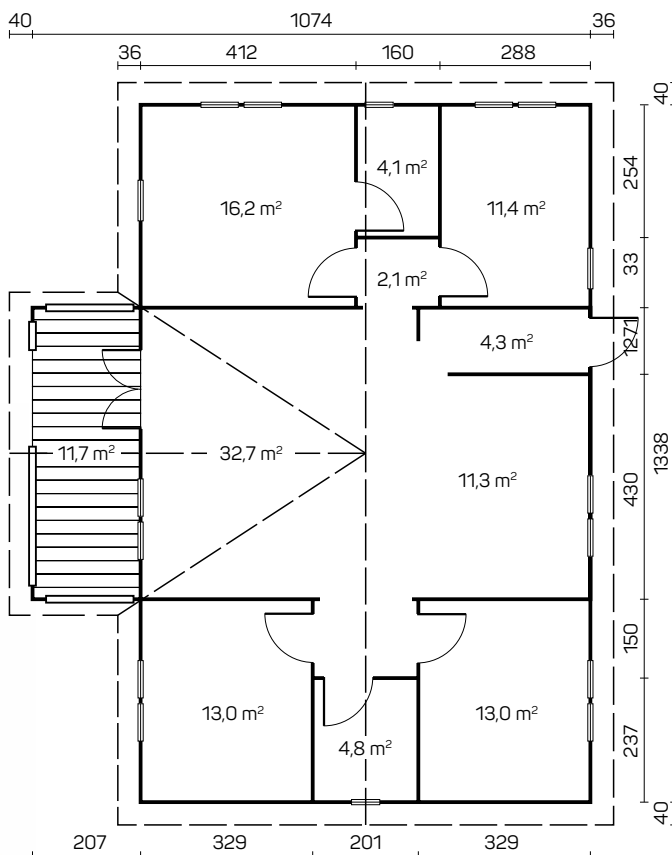
Premium



# FINLANDIA

Art 111717

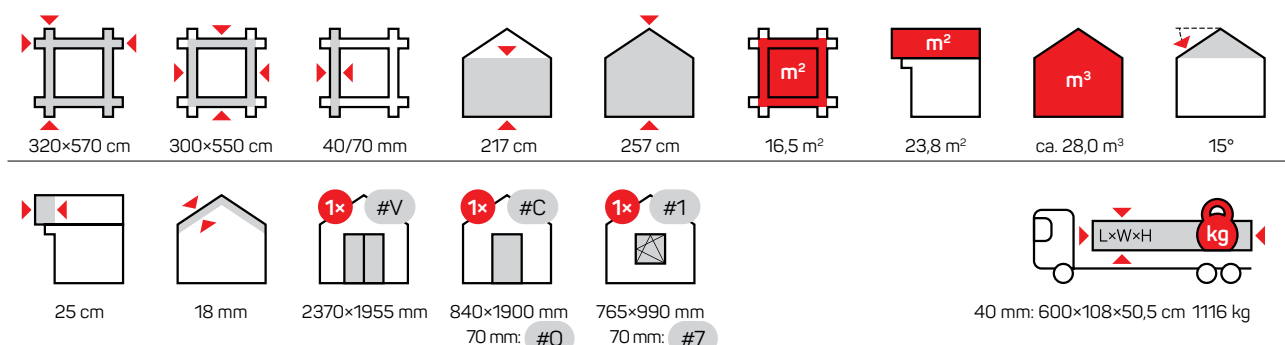
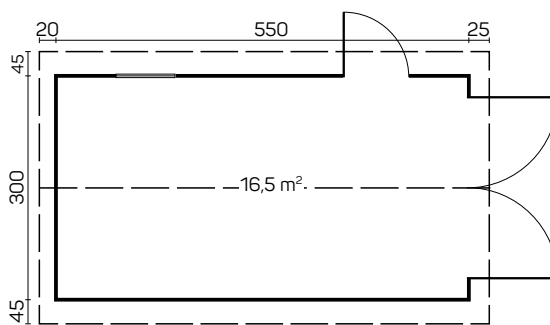
Premium





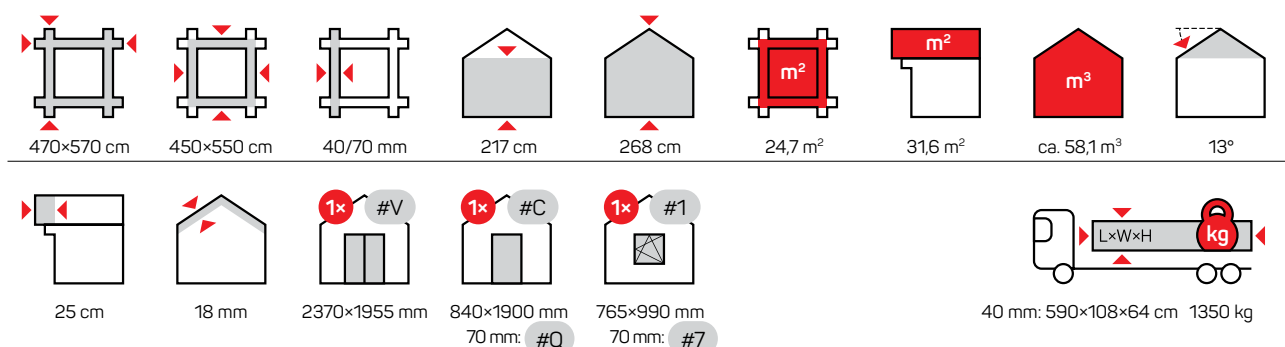
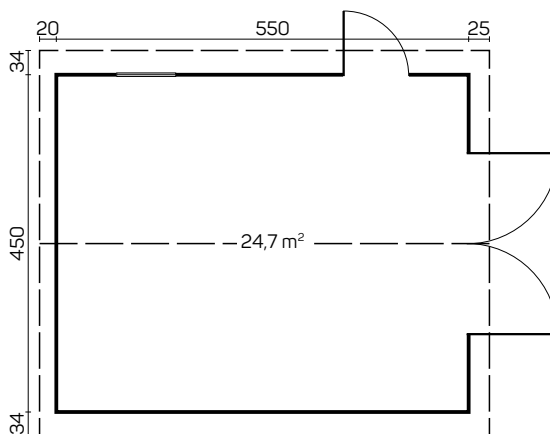
# GARAGE A

Art 111055.2/111069



# GARAGE B

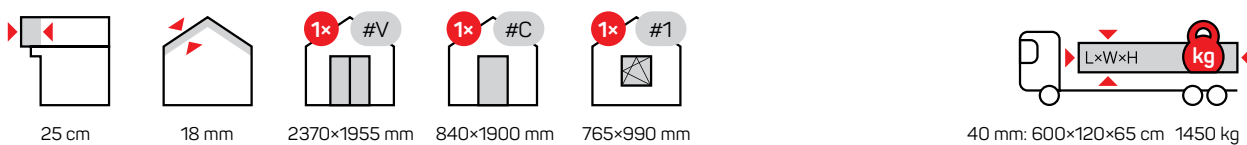
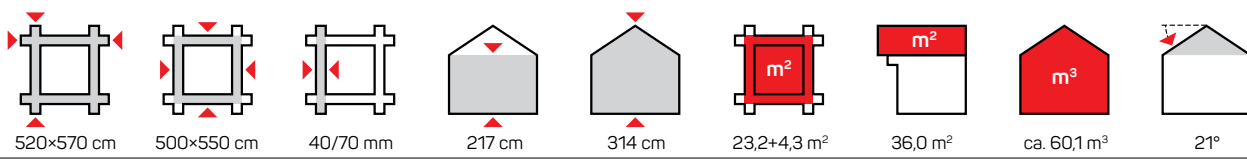
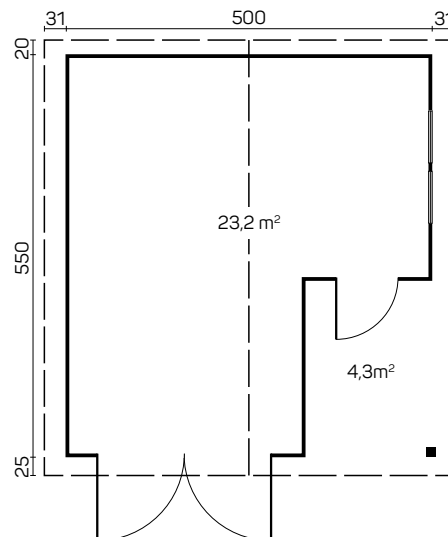
Art 111056.2/111070





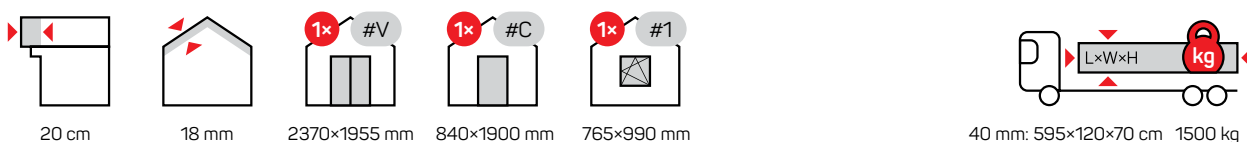
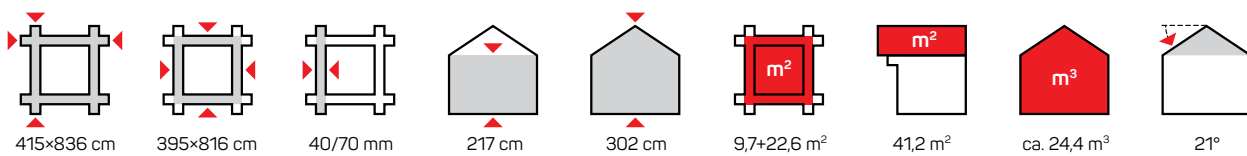
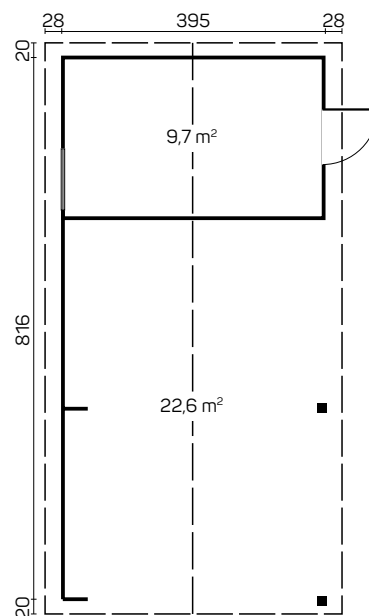
# GARAGE OULU

Art 111104/111758



# GARAGE RAUMA

Art 111105/111759



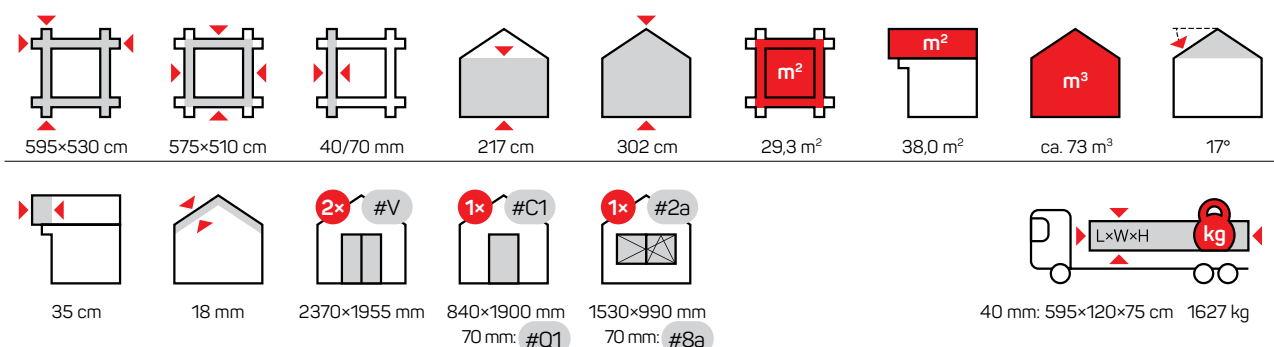
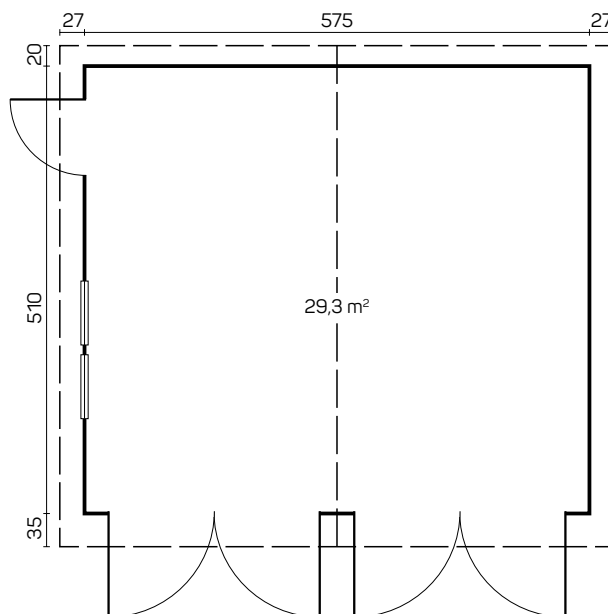


# GARAGE D

Art 111424.2/111724



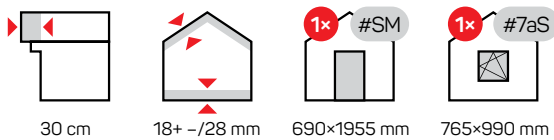
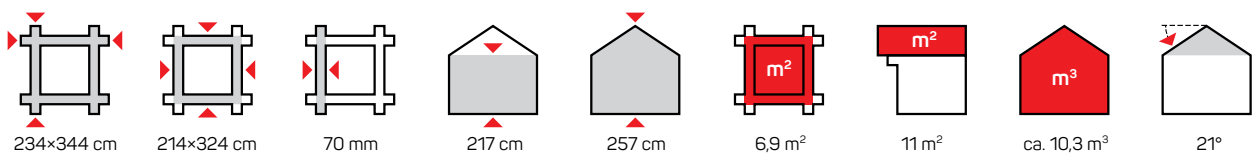
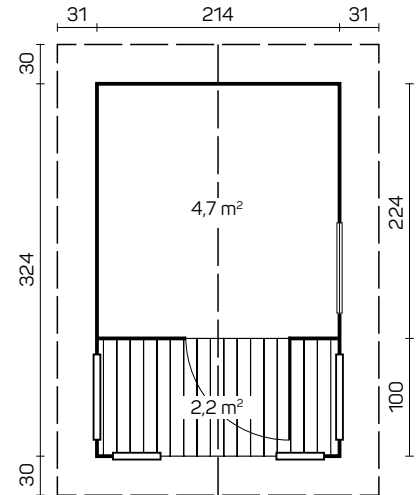
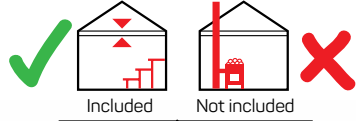
Garages





# JORMA

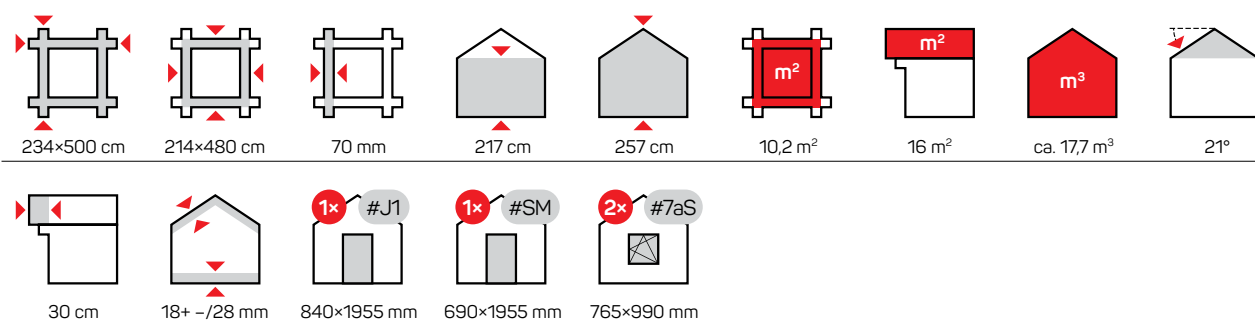
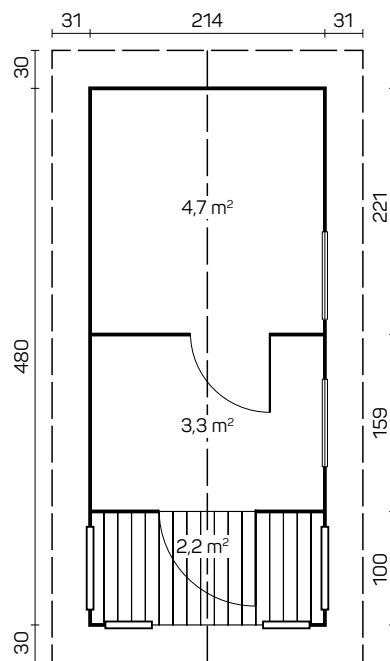
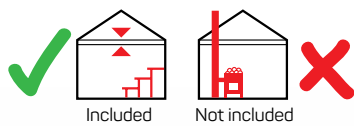
Art 111951





# OSKARI

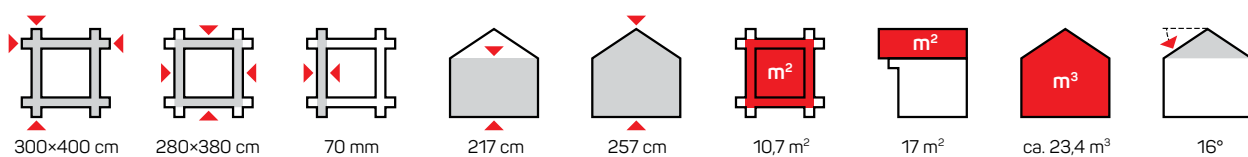
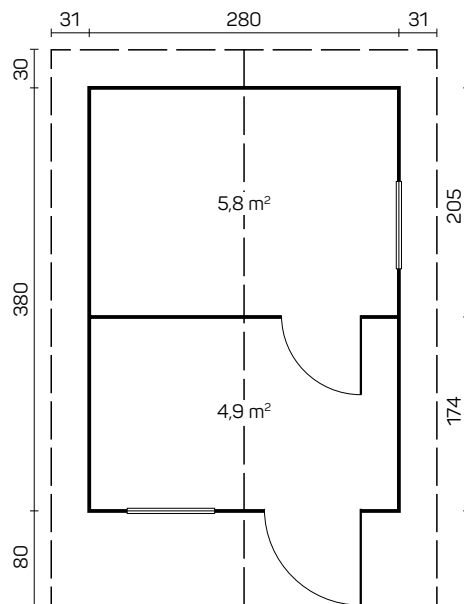
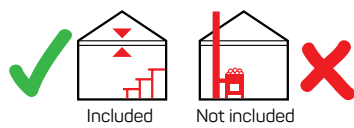
Art 111953





# JOONAS

Art 111955

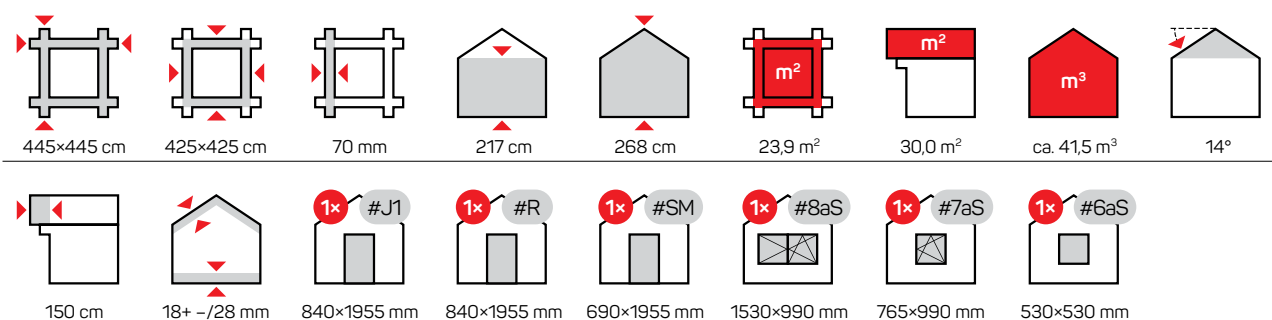
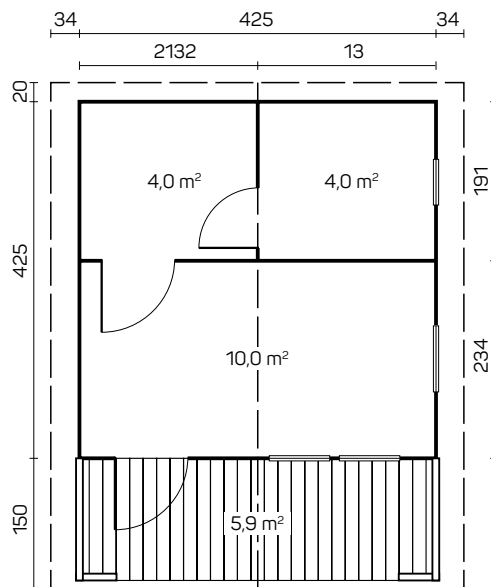
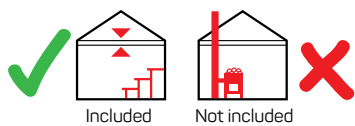






# PEKKA

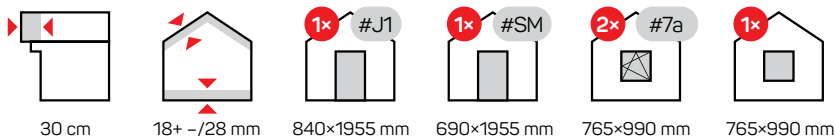
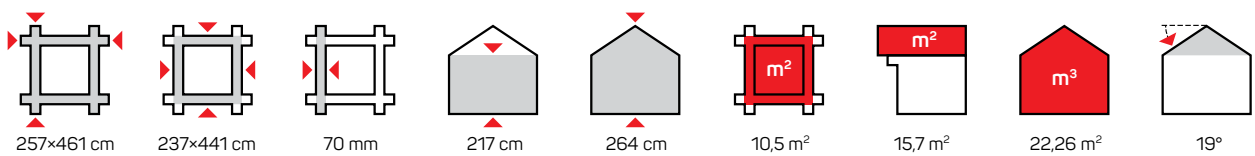
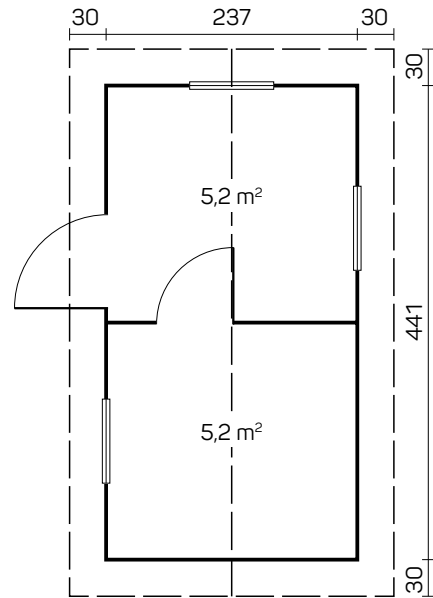
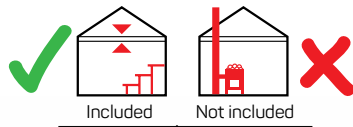
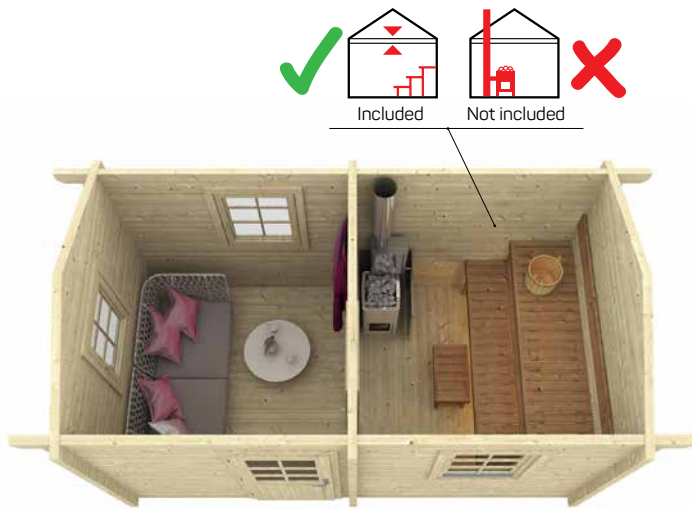
Art 111957





# SEPPO

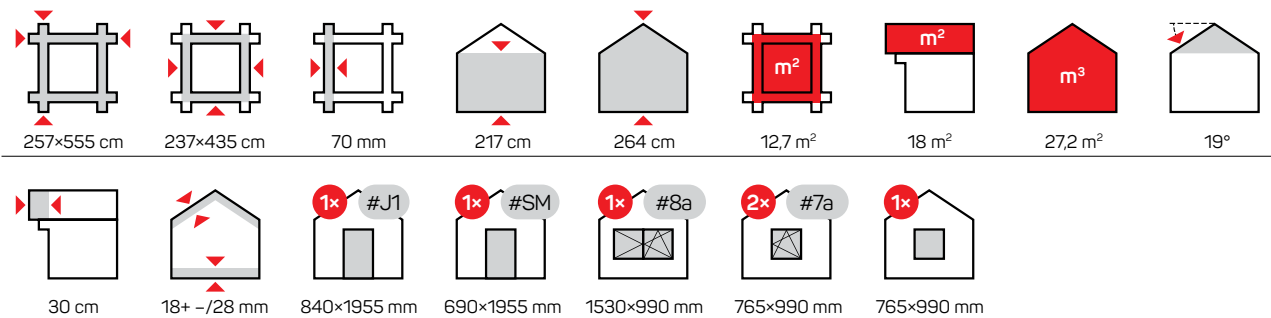
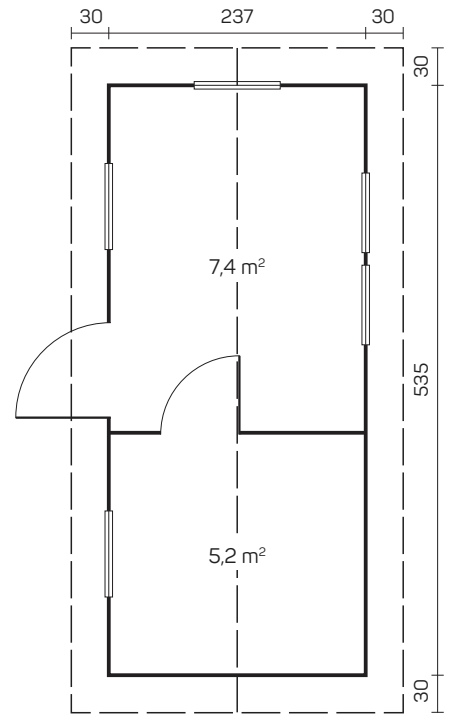
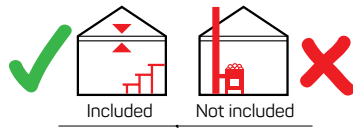
Art 111756





# ANTTI

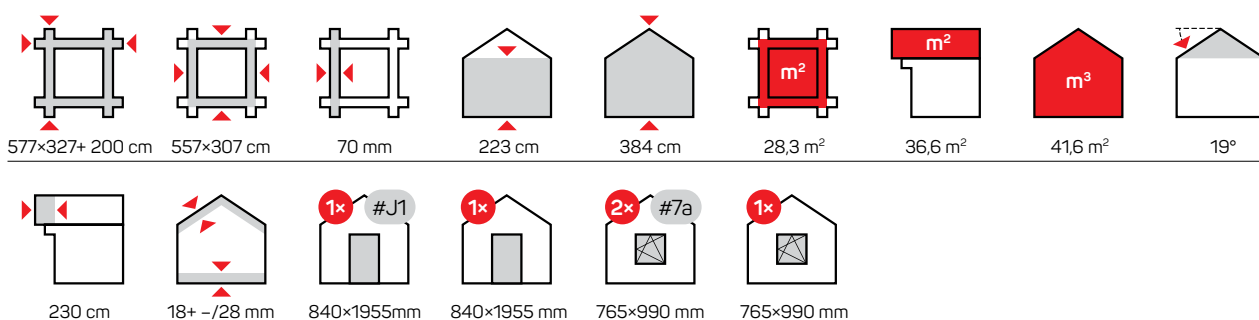
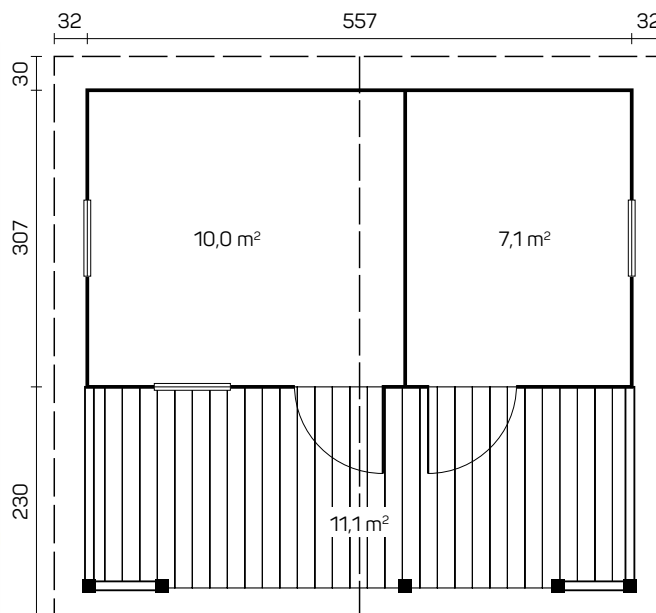
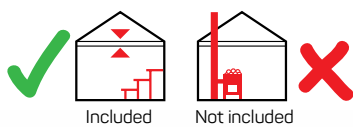
Art 111737





# EINO

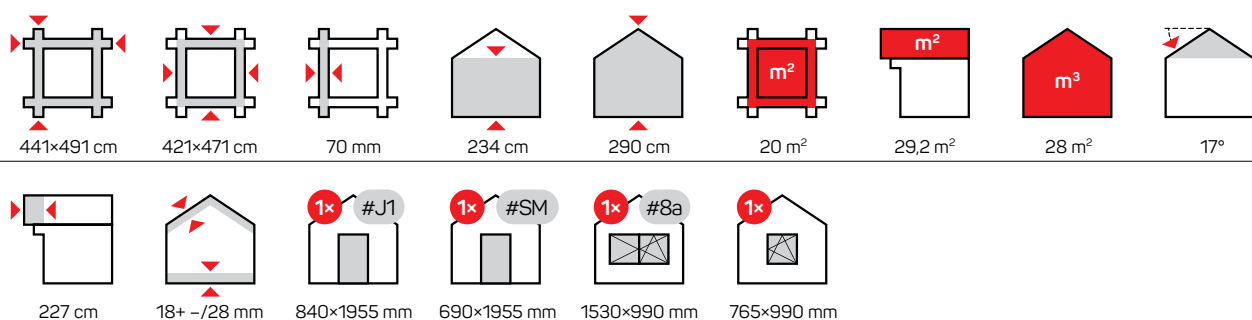
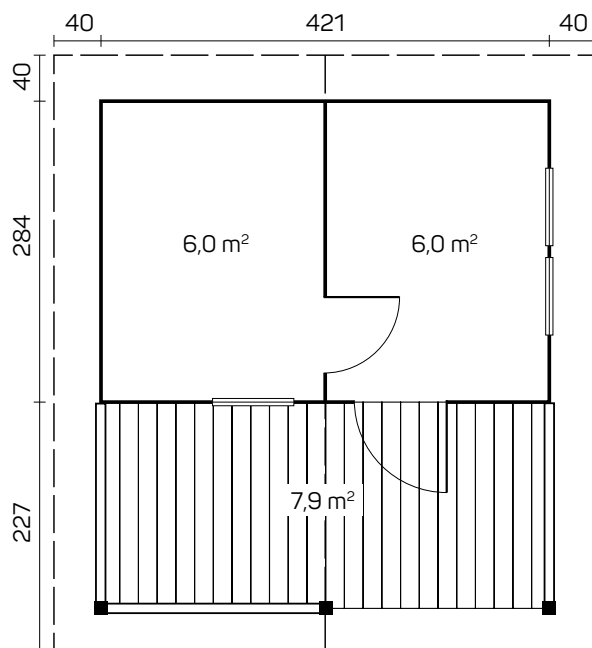
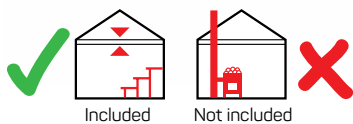
Art 111437





# TERVO

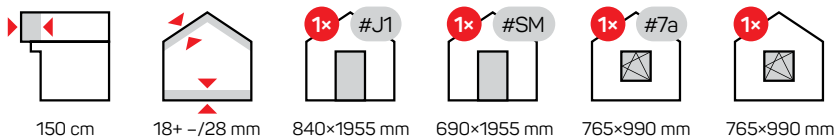
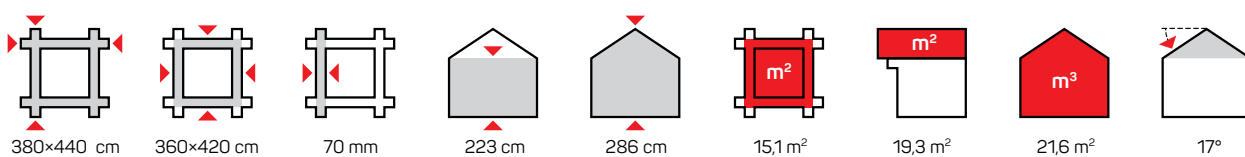
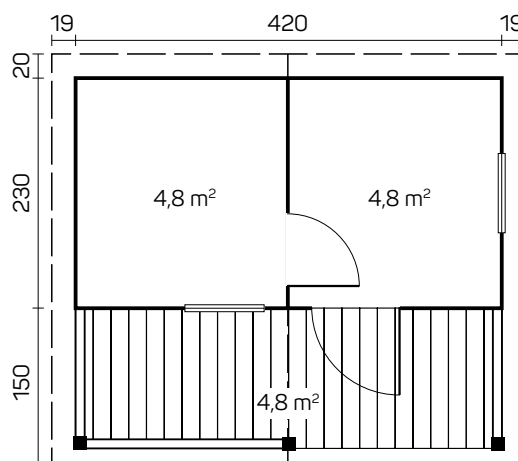
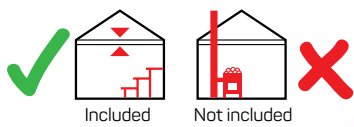
Art 111435





# KALEVI

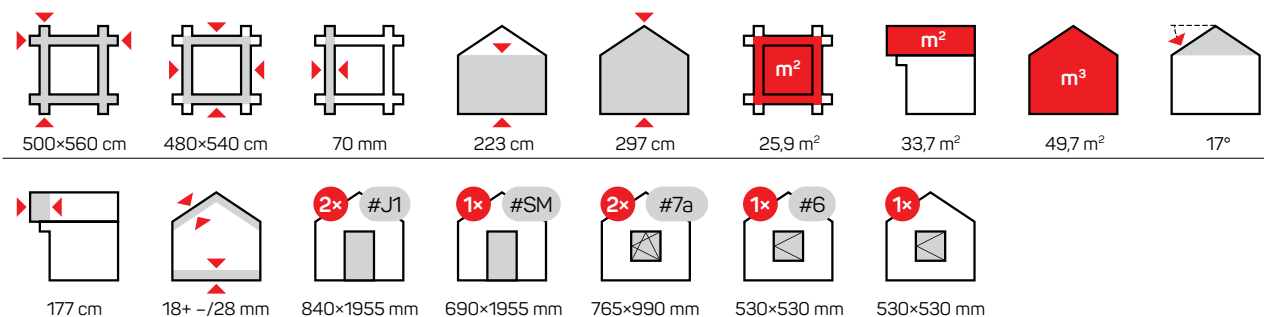
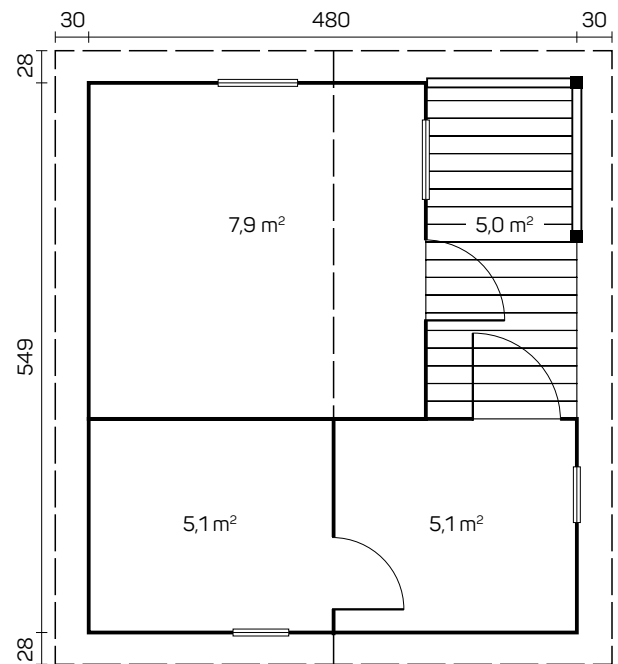
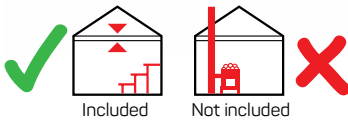
Art 111431





# TOMMI

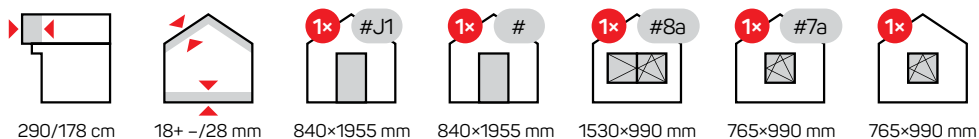
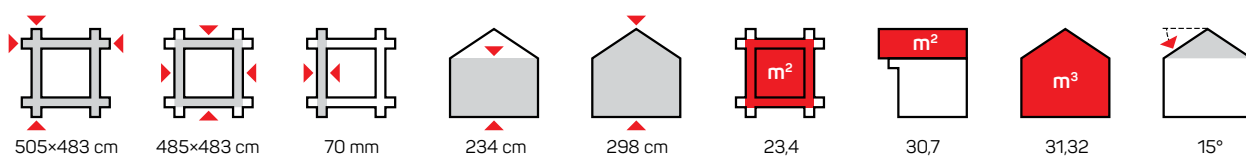
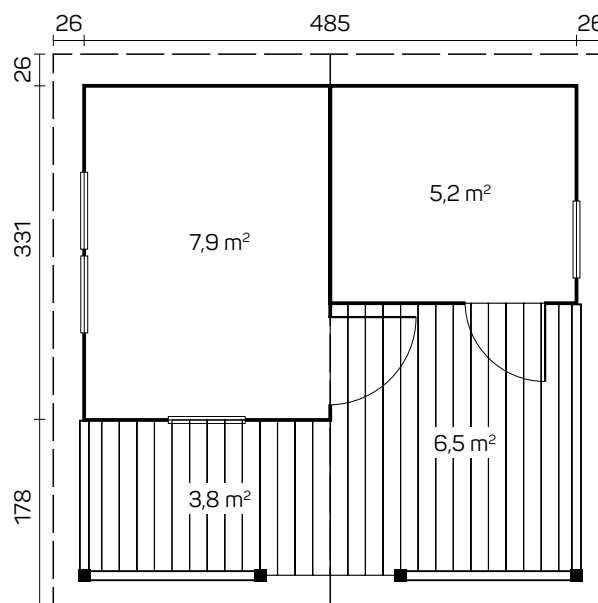
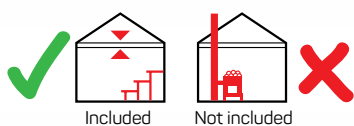
Art 111432





# OTTO

Art 111434

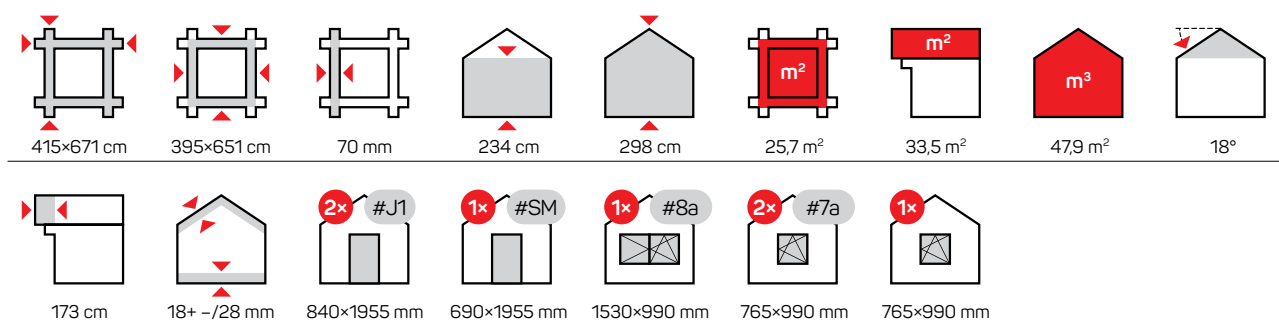
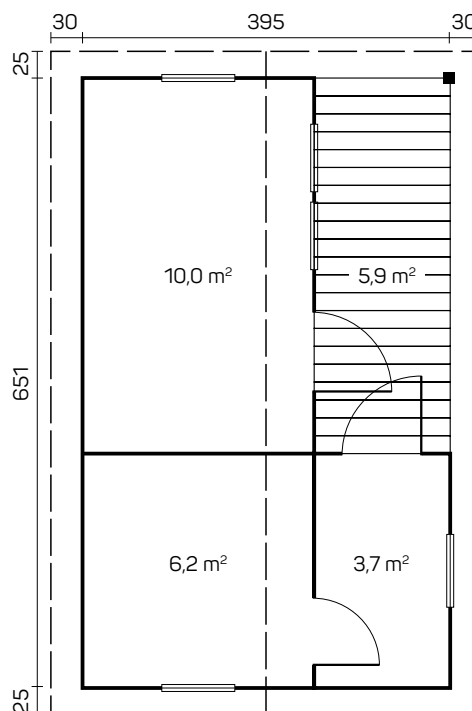
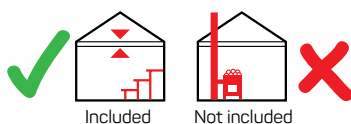






# RISTO

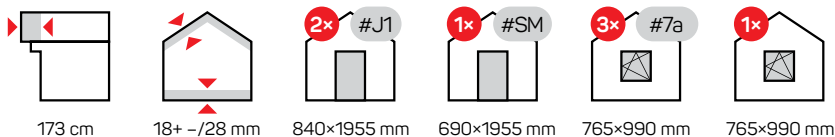
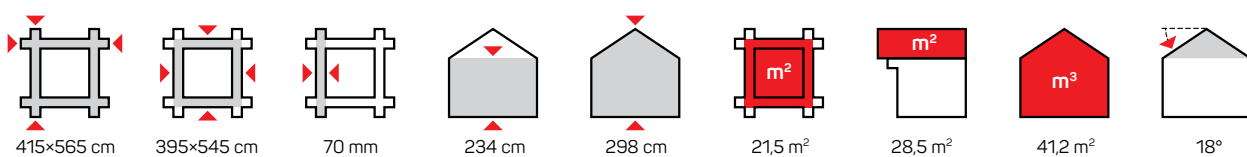
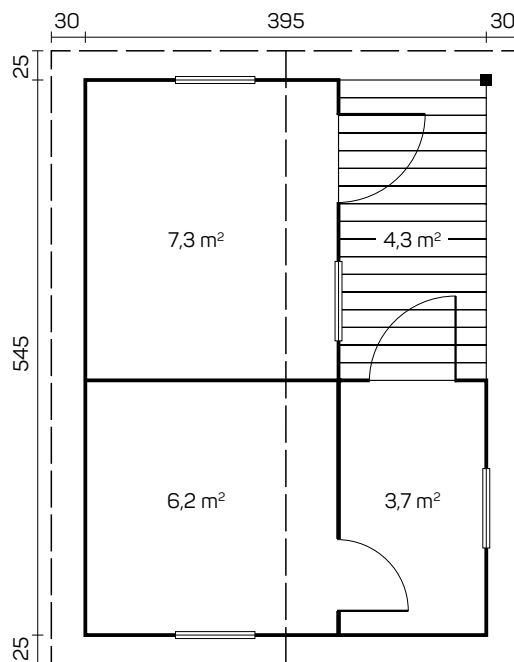
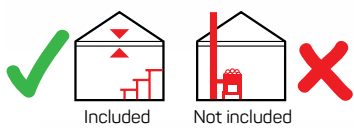
Art 111433





# VILLU

Art 111436







#N Art 333010 / 142,5×195,5 cm

#NL Art 333043 / 142,5×183,5 cm



#F Art 333006 / 142,5×195,5 cm

#S Art 333019 / 142,5×183,5 cm



#F1 Art 333007 / 142,5×195,5 cm

#T1 Art 333105 / 142,5×195,5 cm

#S1 Art 333020 / 142,5×183,5 cm

#F1S Art 333028 / 142,5×195,5 cm



#X Art 333109 / 142,5×195,5 cm

#XL Art 333042 / 142,5×190 cm

#L Art 333108 / 142,5×195,5 cm



#M1 Art 333032 / 142,5×195,5 cm

#M1H Art 333040 / 142,5×209 cm

#M1S Art 333044 / 142,5×195,5 cm



#D Art 333021 / 142,5×190 cm

#G Art 333003 / 142,5×195,5 cm

#M Art 333101 / 142,5×195,5 cm



#Y Art 333110 / 142,5×190 cm



#VC Art 333111 / 142,5×190 cm



#O Art 333011 / 142,5×195,5 cm



#AR Art 333026 / 142,5×190 cm



#B Art 333110 / 142,5×173 cm



#BK Art 333031 / 120×195,5 cm



#EM Art 333025 / 130,5×188 cm

#LO Art 333023 / 110×188 cm



#Z Art 333113 / 142,5×195,5 cm

#ZH Art 333041 / 142,5×209 cm



#V Art 333107 / 237×195,5 cm



#K Art 333008 / 84×195,5 cm

#KH Art 333035 / 89×209 cm

#KL Art 333029 / 84×183,5 cm



#R Art 333018 / 84×195,5 cm

#U Art 333017 / 69×195,5 cm

#W Art 333106 / 89×209 cm



#P Art 333012 / 84×195,5 cm

#PP Art 333027 / 84×195,5 cm ISO

#KL Art 333030 / 84×190 cm



#OR Art 333112 / 84×183,5 cm



#E Art 333004 / 84×195,5 cm

#C Art 333014 / 84×190 cm

#H Art 333013 / 84×183,5 cm

#J Art 333102 / 84×195,5 cm ISO

#JH Art 333039 / 89×209 cm

#Q Art 333034 / 84×190 cm ISO



#E1 Art 333005 / 84×195,5 cm

#C1 Art 333016 / 84×190 cm

#H1 Art 333015 / 84×183,5 cm

#J1 Art 333103 / 84×195,5 cm ISO

#Q1 Art 333033 / 84×190 cm ISO

#J1H Art 333 036 / 89×209 cm



#A Art 333001 / 84×173 cm



#SM Art 333009 / 69×195,5 cm



#1 Art 444001/444029 / 76,5×99 cm

#3 Art 444017/444026 / 86,5×121 cm



#2 Art 444003 / 153×99 cm



#9 Art 444012 / 91,5×42 cm

#9P Art 444043 / 91,5×42 cm



#1a Art 444002/444030 / 76,5×99 cm

#1aS Art 444040 / 76,5×99 cm



#2a Art 444004 / 153×99 cm

#2aS Art 444039 / 153×99 cm



#15a Art 444038 / 91,5×42 cm

#9F Art 444035 / 91,5×42 cm



#12a Art 444042 / 60×110 cm



#7 Art 444008 / 76,5×99 cm ISO



#8 Art 444010 / 153×99 cm ISO



#12 Art 444032 / 58,5×110 cm

#12S Art 444045 / 58,5×110 cm



#7a Art 444009 / 76,5×99 cm ISO



#8a Art 444011 / 153×99 cm ISO



Art 444013 / 2×38×99 cm



Art 444014 / 4×38×99 cm



#11 Art 444027 / 51,5×189 cm

#14a Art 444037 / 51,5×189 cm ISO, PR



#10 Art 444031 / 51,5×189 cm

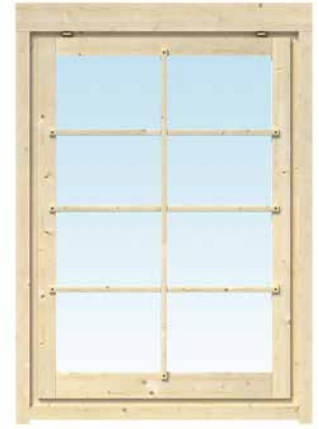


#5 Art 444006 / 51,5×189 cm

#5P Art 444018 / 51,5×189 cm ISO

#4 Art 444005 / 34×189 cm

#5a Art 444036 / 51,5×189 cm ISO (fix)



#34 #34Art 444034 / 86,5×121 cm



#13 Art 444033 / 153×156 cm



#20 Art 444020 / 130,5×136,5 cm

#19 Art 444019 / 110×136,5 cm



#6 Art 444 007 / 53×53 cm ISO

#6aB Art 444044 / 53×53 cm

#6aS Art 444041 / 53×53 cm



#21 Art 444021 / 189×88 cm



## For all the beautiful moments in your garden...

Garden houses are both pretty and practical. Throughout the year, you may use it to protect your garden furniture against the elements and humidity. It may also give shelter to the tender plants that would not otherwise withstand sustained cold. Hence, besides being a cosy getaway, a garden house may be used as a storage room as well.

Garden houses are mostly manufactured from timber – this is a natural material that will harmonise with any garden setting. There are garden houses in various shapes and sizes – from simple small cabins without Window with an area of about a square metre to houses with large Door and Window and several rooms. If you use your garden house for lodging or as a holiday home, or if you wish to hold a party there, the house can be supplied with electrical and water supply connections.

**Tene Kaubandus OÜ was established in 1999. We produce garden houses and garden accessories from high quality timber of northern spruce.**

During the years, the production volumes of Tene Kaubandus have increased. Today, we produce 12,000 to 15,000 garden houses in a year. Our product line includes garden houses, saunas, playhouses for children, gazebos and garages with the wall thicknesses of 28mm, 40mm and 70mm. We ensure high quality with well-considered elements, such as:

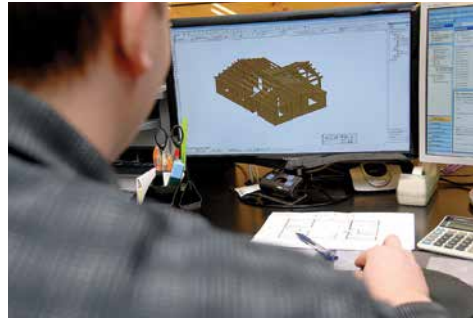
- Wind-resistant corner joints
- Door and Window from glued timber are glazed with real glass, and have tilt-and-turn openings.
- 70mm houses have double-glazed Door and Window, seals and aluminium water drips.
- All the houses have impregnated foundation beams.
- 40mm and thicker wall boards are double-grooved.
- Skirting and floor boards cut to match the design are included.
- All the models have storm bars, corner joints of 70mm houses have metal support bars.
- All the houses are complete with an assembly kit and a thorough installation manual.

The products are manufactured from high quality raw materials using the state-of-the-art technology and most contemporary machinery. Our primary aim is to manufacture perfect garden houses and ensure their accurate and timely delivery to our clients.

We have produced various houses for diverse applications to the custom designs of our clients, thus we have experience and know-how for more sophisticated projects. You may find some of them in our catalogue as well. We will ensure you that your order will be fulfilled in the best possible way.

Thank you for your interest in our products.

Riho Reesar and Heino Kirs  
The owners of the company





## Für schöne Stunden im Garten...

Ein Gartenhaus ist nicht nur schön, sondern auch praktisch. Es eignet sich gut dazu, im Winter Gartenmöbel und Sitzauflagen vor Regen, Sonne und Feuchtigkeit zu schützen. Auch Pflanzen, die nicht winterfest sind, können in einem Gartenhaus gut überwintern. Daher ist für viele ein Gartenhaus auch mehr ein Abstellraum als ein Haus, in dem man sich aufhält. Gartenhäuser werden meist aus Holz gefertigt, weil dieses Material eine natürlich Optik bietet und sich so gut in einen Garten integrieren lässt. Gartenhäuser gibt es in vielen Größen und Ausführungen – vom einfachen, nicht mehr als einem Quadratmeter großen, fensterlosen Häuschen bis hin zum Gartenhaus mit Fenster und Türen und sogar mehreren Zimmern. Möchte man das Gartenhaus auch als Übernachtungsmöglichkeit oder Aufenthaltsort für Partys und Feiern nutzen, so kann man seinem Gartenhaus auch einen Strom- und Wasseranschluss verpassen.

**Tene Kaubandus wurde im Jahre 1999 gegründet. Die Firma produziert Gartenhäuser und Gartenzubehör aus hochwertigem nordischen Fichtenholz.**

Vom Jahr zu Jahr haben sich unsere Produktionsmengen erhöht, heute produzieren wir 12.000–15.000 Gartenhäuser im Jahr. Unser Sortiment besteht aus Garten-, Sauna-, und Kinderspielhäusern, Pavillons und Garagen in Wandstärken 28 mm, 40 mm und 70 mm. Die hohe Qualität ergibt sich durch durchgedachte Details wie:

- winddichte Eckversätze, Schalerverfräsung
- alle Türen und Fenster aus Leimholz, mit Echtglas und Dreh-/Kipp-System
- Fenster und Türen bei Häuser ab 70 mm mit Isolierverglasung, Gummidichtungen und Alu-Wasserschinkel
- alle Modelle haben imprägnierte Lagerhölzer
- Blockbohlen mit Doppelnut ab Modellen in 40 mm
- Fußbodenleisten und zugeschnittene Fußbodendielen im Lieferumfang
- alle Häuser haben Sturmleisten, die 70 mm Häuser sind mit Gewindestangen versehen
- alle Häuser haben komplette Bausätze inklusive Befestigungsmaterial und eine ausführliche Montage-Anleitung.

In der Produktion werden modernste Technologie, spezielle Technik und hochwertige Rohmaterialien verwendet. Unser Ziel ist immer die Vollständigkeit unserer Gartenhäuser und pünktliche Lieferzeiten zu erreichen.

Wir haben Erfahrungen und Kenntnisse um auch sehr komplizierte architektonische Projekte auszuführen, weil wir schon über 11 Jahre, auch nach Kundenprojekte, Häuser verschiedener Größen, für verschiedene Zwecke ausgeführt haben. Einige der Projekte sind in unserem Katalog vorgestellt. Das ermöglicht Ihnen die beste Ausführung zu bestellen.

Wir bedanken uns für Ihre Interesse.

Eigentümer der Firma  
Riho Reesar und Heino Kirs

## I bei momenti nel tuo giardino...

La casetta da giardino non è solo bella, ma è anche pratica. In inverno funziona bene per riporre l'arredamento da giardino dalla pioggia, dal sole e dall'umidità. Anche le piante non resistenti al freddo potranno così sopravvivere l'inverno con successo. Di conseguenza, la casetta, oltre a essere un comodo spazio di svago, è anche un'utile luogo di riparo.

Di solito le casette vengono costruite di legno, siccome il materiale è naturale e si adatta bene all'atmosfera (del giardino). Vi sono varie dimensioni e vari tipi delle casette da giardino: dalle casette semplici, senza finestre, coprendo solo 1 metro quadrato, alle casette che hanno delle finestre e delle porte davvero grandi e addirittura parecchie stanze/camere. Nel caso in cui la casetta verrà utilizzata tra l'altro anche come un'alloggio o uno spazio di relax, o in cui si vorrà festeggiare, è possibile installarci la rete elettrica e idrica.

**Tene Kaubandus Srl è stato fondato nel 1999. L'azienda produce casette da giardino e complementi d'arredo dell'abete nordico di alta qualità.**

La quantità della produzione è aumentata nel corso degli anni e oggi stiamo realizzando 12 000–15 000 casette da giardino all'anno. Ce ne sono vari tipi delle casette nel nostro assortimento: casette da giardino, sauna, casette per bambini per permettere ai bambini di giocare nel giardino, padiglioni, garage con il spessore delle pareti di 28 mm, 40 mm ja 70 mm. La qualità alta è assicurata dai dettagli come:

- Soluzioni resistenti al vento, i tenoni
- Tutte le finestre e le porte vengono realizzate in legno lamellare, con il vetro vero ed ad anta ribalta.
- Le casette a partire da 70 mm hanno le finestre e le porte pose in opera di doppi vetri, le guarnizioni ed il drenaggio in alluminio.
- Tutte le casette hanno le travi di fondazione impregnati [impregnated foundation beams].
- Le mensole verranno costruite a doppio incastro di 40 mm di spessore.
- Le guide di scorrimento per il pavimento e le assi di legno vengono comprese.
- Compresi sono anche i morsetti della guida di scorrimento ed i storm bar; le casette di 70 mm hanno nelle connessioni angolari le barre di sostegno.
- Tutte le casette sono fornite con un kit completo degli attrezzi di montaggio e con un manuale approfondito.

Nella realizzazione viene utilizzata la tecnologia nuovissima, una tecnica speciale e la materiale di alta qualità. Il nostro scopo è produrre delle casette da giardino ideali e assicurare la loro consegna adatta ai nostri clienti.

Abbiamo anche le esperienze e le competenze di avviare dei progetti più complessi, siccome abbiamo realizzato delle casette di vari tipi per diversi scopi anche secondo i progetti personalizzati. Alcuni di essi sono riportati anche nel nostro catalogo. Tutto ciò vi renderà possibile di ordinarci la progettazione e la realizzazione migliore.

Vi ringraziamo per essere stati interessati dai nostri servizi,

Riho Reesar e Heino Kirs  
(i proprietari della ditta)

## Momentos hermosos en su jardín...

Las casitas de jardín de Grupo Tene son el complemento perfecto para darle un toque de distinción a su jardín. Por su multifuncionalidad podemos encontrar modelos apropiados para guardar sus herramientas de una forma elegante y ordenada, gimnasio, salas de juegos, estancias adicionales a la casa, despachos, cocinas de jardín, kioscos, comedor auxiliar junto a la piscina y espacios agradables para reuniones familiares.

No sólo son un complemento bonito para el jardín, durante el invierno es el espacio perfecto para proteger los muebles y herramientas de jardín de la lluvia, el sol y la humedad e incluso plantas no resistentes al frío sobreviven con éxito el invierno en una casita de jardín. Por lo tanto aparte de ser un buen lugar para el ocio, una casita de jardín es también un buen espacio de almacenaje.

Habitualmente se utiliza madera para construir casitas de jardín puesto que este material es natural, ecológico y complementario con cualquier jardín.

Las casitas de jardín las podemos encontrar con distintas formas y tamaños. Desde modelos muy simples de tan solo un metro cuadrado sin ventanas, hasta modelos con grandes ventanales, puertas y varias habitaciones, teniendo la posibilidad de instalar conexiones de agua y luz en el caso de querer utilizarla como residencia ocasional.

**Tene Kaubandus OÜ fue fundada en el año 1999. La empresa fabrica casas de madera, casitas de jardín y accesorios para el jardín, utilizando madera de abeto nórdico de alta calidad.**

Con el paso de los años la capacidad de producción de Tene Kaubandus se ha ido incrementando y hoy en día fabricamos entre 12.000 y 15.000 casitas de jardín al año. Nuestra gama de productos incluye: casitas de jardín, cabañas, casas de madera, saunas, casitas de jardín infantiles, glorietas y garajes con 28 mm, 40 mm y 70 mm de grosor de la pared.

La alta calidad se garantiza con los siguientes detalles en la elaboración de nuestras casas:

- Sistema constructivo con uniones de ensamblaje perfecto para la protección contra el viento.
- Todas las puertas y ventanas son de madera laminada, con cristales auténticos y oscilobatientes.
- Las casitas a partir de 70 mm tienen las ventanas y puertas con cristal doble y cámara de aire, cierre hermético y protectores para la lluvia de aluminio.
- Todas las casitas disponen de perfiles de arranque tratados en autoclave verde.
- Las tablas de la pared a partir de 40 mm tienen doble ranura en el machihembrado.
- En el Kit se incluyen todas las tablas de la casa cortadas a medida, todos los herrajes necesarios (tornillería, clavos, cerraduras, manivelas, etc.), ventanas y puertas y libro de instrucciones para su montaje.
- Todos los modelos disponen de listones anti-tormenta, las casitas de 70 mm disponen de barras de soporte de metal en la ensambladura de las esquinas.

En la producción utilizamos la tecnología más avanzada del mercado, maquinaria especializada y materia prima de alta calidad. Nuestro objetivo es fabricar casitas de jardín perfectas y garantizar su entrega puntual y oportuna al cliente.

El gran volumen de construcciones de casas de madera junto a la experiencia adquirida durante este tiempo, hace que podamos realizar con total garantía cualquier diseño aportado por nuestros clientes y hasta los proyectos más complejos.

Todo esto nos permite realizar el mejor producto para usted. Le agradecemos el interés por nuestra empresa.

Directores Generales:  
Riho Reesar, Heino Kirs

## Pour tous les bons moments dans votre jardin...

Les maisons de jardins sont belles et pratiques. Tout au long de l'année, vous pouvez l'utiliser pour protéger votre mobilier de jardin contre les éléments et l'humidité. Elles peuvent également abriter les plantes fragiles qui, autrement, ne pourraient résister à un froid persistant. Par conséquent, en plus d'être une maison confortable, une maison de jardin peut également être utilisée comme un entrepôt.

Les maisons de jardins sont en général construites en bois – c'est un matériau naturel qui s'harmonisera avec tous les agencements de jardins. Il y a des maisons de jardin de toutes tailles et de toutes formes – depuis la simple cabane sans fenêtre d'une surface d'environ un mètre carré aux maisons avec de grandes portes et fenêtres et plusieurs chambres. Si vous utilisez votre maison de jardin pour y habiter ou comme maison de vacance, ou si vous voulez y célébrer une fête, la maison peut être équipée de raccordements électriques et d'eau.

**Tene Kaubandus OÜ a été fondée en 1999. Nous produisons des maisons de jardin et des accessoires de jardin à partir d'un bois de grande qualité d'épicéa nordique.**

Au cours des années, la production de Tene Kaubandus a augmenté. Aujourd'hui nous produisons entre 12'000 15'000 maisons de jardin par année. Notre ligne de produit comprend des maisons de jardin, des saunas, des maisonnettes pour enfants, des gloriettes et garages avec une épaisseur de mur de 28mm, 40 mm et 70 mm. Nous garantissons une grande qualité avec des éléments reconnus comme:

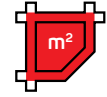
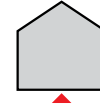
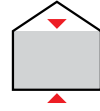
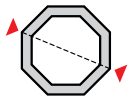
- les joints d'angle résistants aux vents
- toutes les portes et fenêtres en bois collé sont à vitrage en verre véritable et à ouverture pivotante et basculante.
- les maisons à partir de 70 mm ont des portes et fenêtres à double vitrage, joints et jets d'eau en aluminium
- toutes les maisons ont des poutres de fondation imprégnées
- les planches de murs de 40mm et plus sont doublement bouvetées
- les plinthes et les planchers coupés pour s'adapter au design sont inclus
- toutes les maisons ont des barres anti-tempête (storm bars), les joints d'angle des maisons de 70 mm ont des barres de support métalliques.
- Toutes les maisons ont un kit de montage complet et un manuel d'installation détaillé.

Les produits sont fabriqués avec des matières premières de grande qualité en utilisant une technologie de pointe et les machines les plus modernes. Notre premier objectif est de fabriquer des maisons de jardin parfaites et de garantir une livraison conforme et dans les délais à nos clients.

Nous avons produit différentes maisons pour des applications variées selon les designs particuliers de nos clients, c'est pourquoi nous avons l'expérience et le savoir-faire nécessaire pour les projets les plus sophistiqués. Vous pouvez également en trouver quelques-uns dans notre catalogue. Nous vous garantirons que votre commande sera exécutée de la meilleure des manières possible.

Nous vous remercions de votre intérêt pour nos produits.

Riho Reesar et Heino Kirs  
Propriétaires



Exterior dimensions  
Bohlenaußenmaß  
Dimensiones exteriores  
Dimensões exteriores  
Dimensions extérieures  
Dimensioni esterne  
Buitenmaat  
Wymiar zewnętrzny  
Внешние размеры  
Diş boyutlar

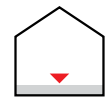
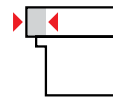
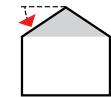
Cabin size  
Wandaußenmaß  
Dimensiones interiores  
Dimensões interiores  
Dimensions extérieures  
au sol  
Dimensioni interne  
Binnenmaat  
Wymiar Wewnętrzny  
Внутренние размеры  
Kabin boyutu

Wall thickness  
Bohlenstärke  
Grosor de la pared  
Grossura da parede  
Bois épaisseur  
Spessore delle pareti  
Wanddicke  
Grubość ściany  
Толщина стен  
Panel kalınlığı

Wall height  
Seitenwanhöhe  
Altura del lateral  
Altura lateral  
Hauteur murs  
Altezza minima pareti  
Wandhoogte  
Wysokość ściany  
Высота стен  
Panel yüksekliği

Ridge height  
Firstlöhe  
Altura de la fachada  
Altura do cume  
Hauteur faitage  
Altezza massima pareti  
Nokhoogte  
Wysokość kalenicy  
Высота до конька крыши  
Çati sırtı yüksekliği

Floor area  
Grundfläche  
Superficie del suelo  
Área do chão  
Superficie  
Piano area  
Vloereppervlak  
Powierzchnia podłogi  
Площадь пола  
Zemin alanı



Roof area  
Dachfläche  
Espacio bajo tejado  
Área do telhado  
Superficie du toit  
Superficie tetto  
Dak oppervlakt  
Powierzchnia dachu  
Площадь крыши  
Çati alanı

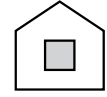
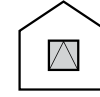
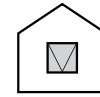
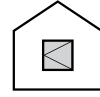
Volume  
Umbauter raum  
Volumen  
Volume  
Volume  
Volume  
Volume  
Volume  
Objętość  
Кубатура  
Hacim

Roof pitch  
Dachneigung  
Inclinación del tejado  
Inclinação do telhado  
Inclinaison du toit  
Pendenza del tetto  
Dakgraden  
Kąt nachylenia  
Уклон ската крыши  
Çati eğimi

Roof overhang  
Vordach  
Salida de alero  
Alçado Do telhado  
Auvent  
Verande  
Voorlufel  
Przedłużenie dachu  
Свес крыши  
Çati çıkıntısı

Roof boards  
Dachbretter  
Tejado  
Telhado  
Planches de toit  
Tetti in legno  
Dakplanken  
Deska dachowa  
Доски крыши  
Çati panoları

Floor boards  
Fußboden  
Suelo  
Chão  
Planches de Sol  
Piano in legno  
Vloerplanken  
Deska podłogowa  
Доски пола  
Zemin panoları



Door  
Leimholz-Tür  
Puerta  
Porta  
Porte feuilleté  
Porte in Legno  
Gelaagd deur  
Drzwi  
Дверь  
Kapı

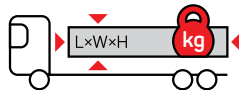
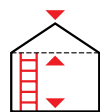
Side-tilt and turn opening  
Dreh-Fenster +  
Dreh/Kipp-Fenster  
Horizontal/  
Oscilo-batiente  
Horizontal/  
Oscilo-batente  
Double ouvrant  
Finestra doppia  
(un lato a battente e  
un lato battente e ribalta)  
Opening-rozwierane +  
uchylno-rozwierane  
Наклонное+поворотное  
и поворотное  
открытие  
Yana + eđmeli  
ve döndürmeli açma

Tilt and turn opening  
Dreh/Kipp-Fenster  
Apertura oscilo-batiente  
Abertura oscilo-batente  
Fenêtre oscillo-battante  
IT Finestra a battente e  
ribalta  
Uchylno-rozwierane  
Наклонное и  
поворотное  
открытие  
Eđmeli ve  
döndürmeli açma

Side opening  
Dreh-Fenster  
Apertura horizontal  
Abertura horizontal  
Fenêtre à la française  
IT Finestra a battente  
Rozwierane  
Поворотное  
открытие  
Yana açma

Tilt opening  
Kipp-Fenster  
Apertura vertical  
Abertura vertical  
Ouverture à soufflet  
Finestra a ribalta  
Uchylane  
Наклонное  
открытие  
Eđmeli açma

Window  
Fenster  
Ventana  
Janela  
Fenêtre  
Finestra  
Venster  
Okno  
Okno  
Pencere



Attic  
Dachbodenhöhe  
Altילו  
Sótão  
Grenier  
Altezza sottotetto  
Powierzchnia poddasza  
Чердачное помещение  
Çati kati

Package Size/Weight  
Paket-Größe/Gewicht  
Tamaño del paquete/Peso  
Pacote Tamanho/Peso  
Taille du paquet/Poids  
Verpakking/Gewicht  
Formato del pacchetto/Peso  
Wielkość pakietu/Waga  
Размер упаковки/Вес  
Paket Boyutu/Ağırlık



Production/Produktion  
Производство



**TENE**

Tene Kaubandus OÜ

Lihula mnt 22B  
90510 Haapsalu, Estonia  
Tel +372 47 22000  
Fax +372 47 22001  
info@tene.ee  
www.tene.ee

Tene 2018



All photographs are illustrative. Technical changes, printing errors, changes and errors are possible! All models are rough.

Alle Fotos sind illustrativ. Technische Änderungen, Druckfehler und Irrtümer vorbehalten! Sämtliche Modelle werden Naturbelassen geliefert.

Все фотографии носят иллюстративный характер.  
Возможны технические изменения и ошибки при печати!  
Все виды сооружений приводятся только для примера.